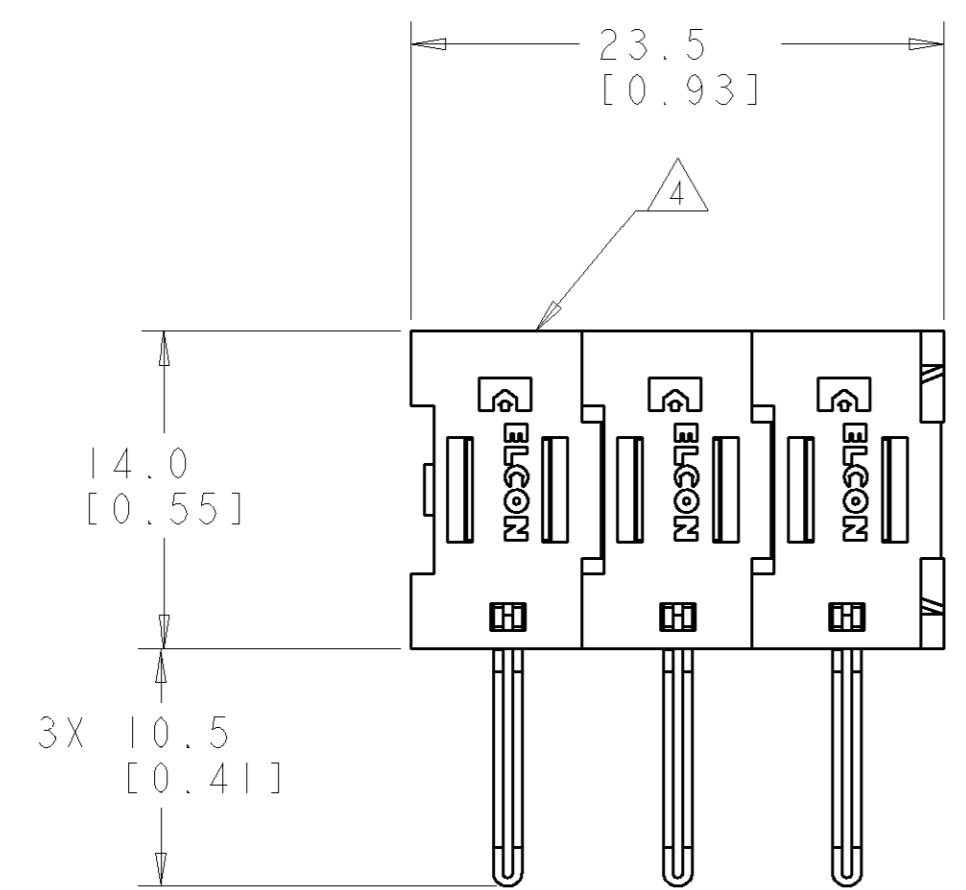


THIS DRAWING IS UNPUBLISHED. RELEASED FOR PUBLICATION 20
 © COPYRIGHT 20 BY TYCO ELECTRONICS CORPORATION. ALL RIGHTS RESERVED.

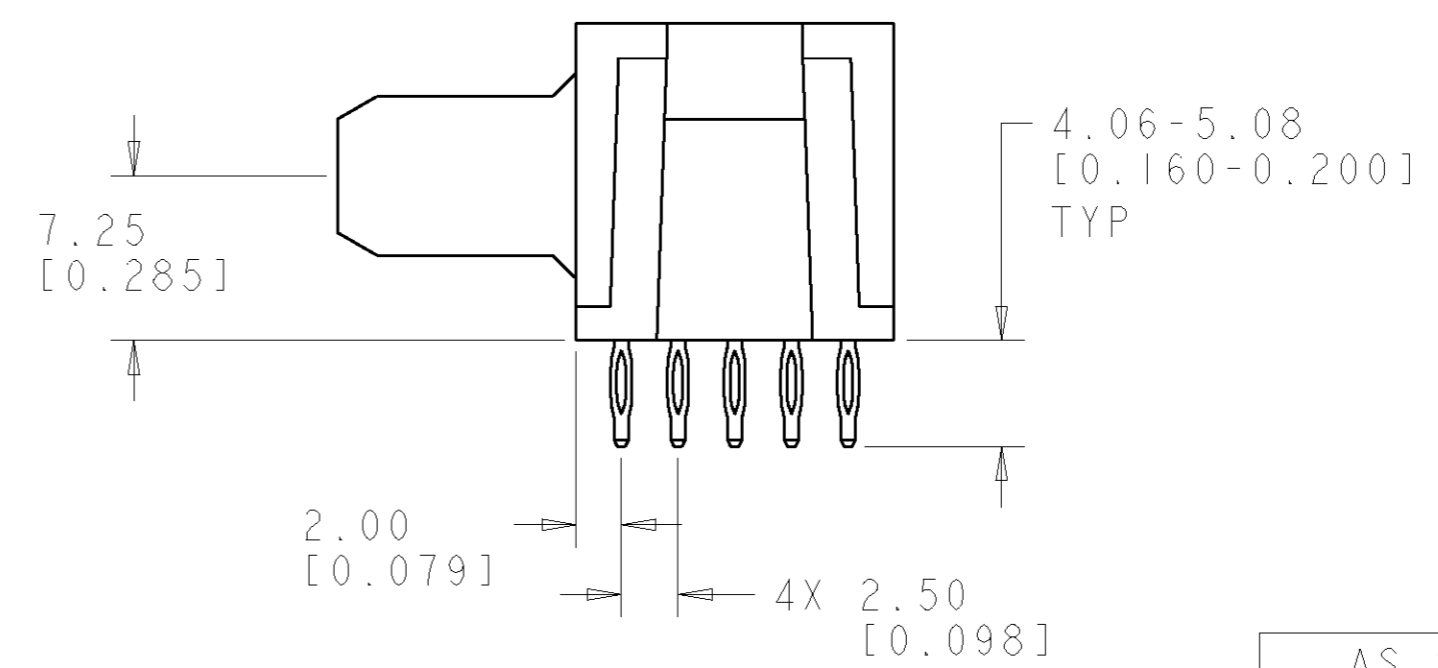
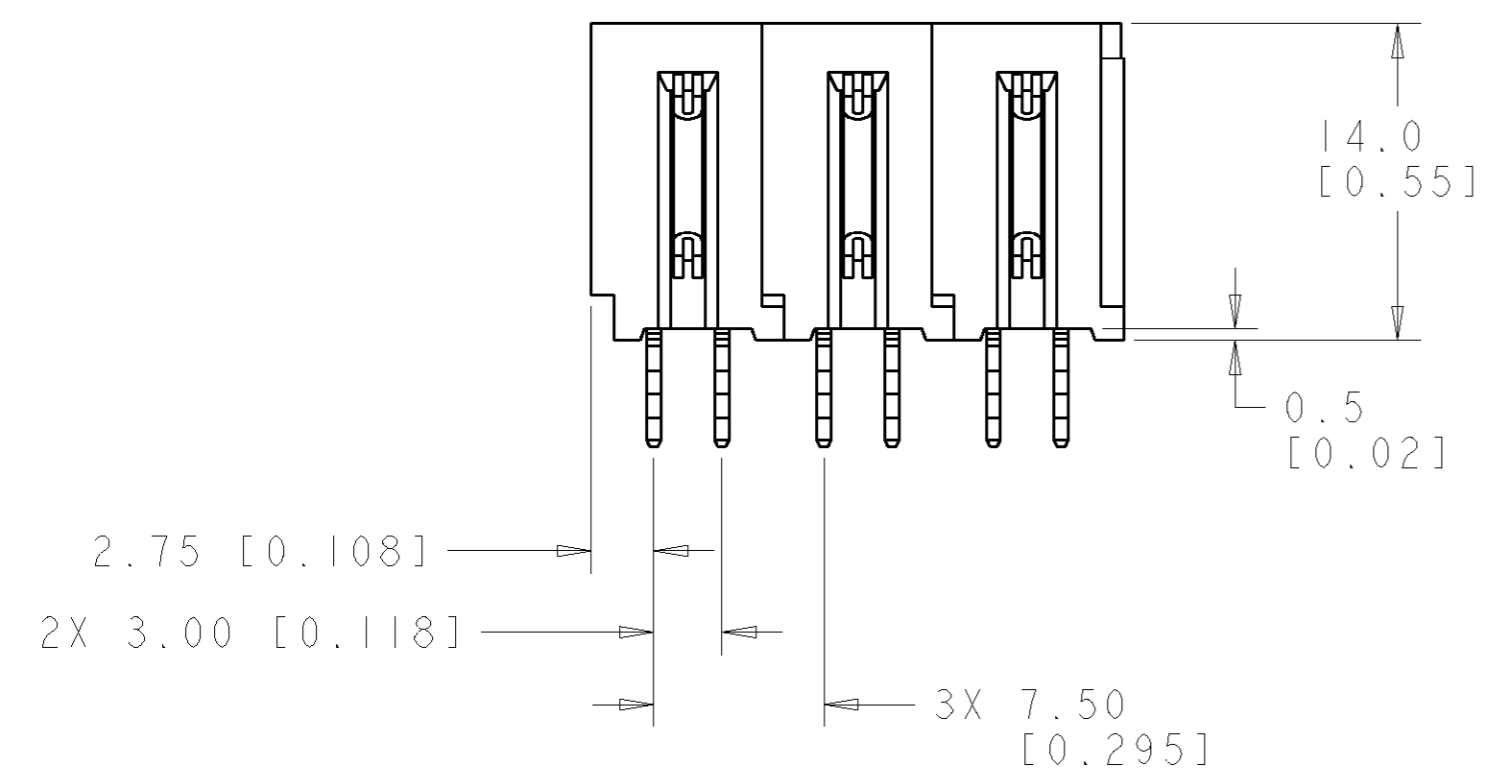
LOC	DIST	REVISIONS					
GP	00	P	LTR	DESCRIPTION	DATE	DWN	APVD
			A	NEW RELEASE	19APR2007	RG	DO



- PART NUMBER CHANGES AND OR DESIGN CHANGES AFFECTING ITEM INTERCHANGEABILITY REQUIRE PRIOR TYCO APPROVAL AND AUTHORIZATION BY REVISION TO THIS DRAWING.
- MATERIAL:
 - INSULATORS - THERMOPLASTIC, GLASS REINFORCED, COLOR: BLACK UL94V-0 FLAMMABILITY RATED.
 - POWER CONTACTS - PHOSPHOR BRONZE ALLOY, COPPER ALLOY
 - CROWN BANDS - BERYLLIUM COPPER ALLOY
- FINISH:
 - CONTACTS - GOLD PLATE .76µm MIN. THK., OVER NICKEL 1.27µm MIN. THK
 - COMPLIANT TAILS, TIN 1.02µm MIN. THK. OVER NICKEL 1.27µm MIN. THK

△ ITEMS PROVIDED TO THIS SPECIFICATION TO BE PERMANENTLY IDENTIFIED PER THE FOLLOWING IDENTIFIER LABEL

YEAR WEEK
 TYCO PART NO. & REV DATE CODE (e.g. 0106)
 XXXXXXXX-X XXXX



AS SHOWN	6646911-1
DESCRIPTION	PART NUMBER

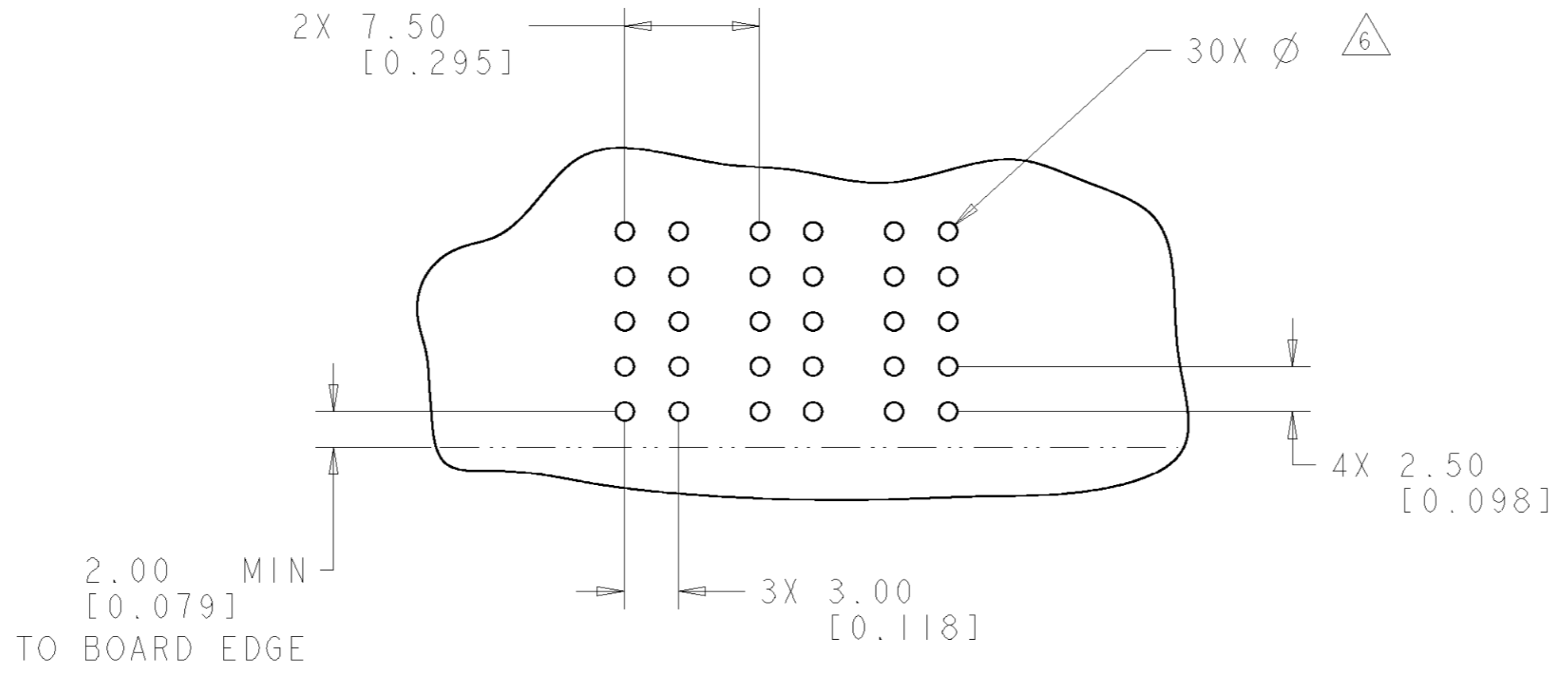
THIS DRAWING IS A CONTROLLED DOCUMENT FOR TYCO ELECTRONICS CORPORATION IT IS SUBJECT TO CHANGE AND THE CONTROLLING ENGINEERING ORGANIZATION SHOULD BE CONTACTED FOR THE LATEST REVISION.		DWN R.GRZYBOWSKI 19APR07
DIMENSIONS: mm [INCHES]		CHK D.ORRIS 19APR07
TOLERANCES UNLESS OTHERWISE SPECIFIED:		APVD S.FLICKINGER 19APR07
0 PLC ±	±.5 [.020]	PRODUCT SPEC -
1 PLC ±	±.25 [.010]	APPLICATION SPEC -
2 PLC ±	±.25 [.010]	WEIGHT -
3 PLC ±	±.25 [.010]	CUSTOMER DRAWING
4 PLC ±	±.25 [.010]	
ANGLES ±	±.5	
FINISH		

Tyco Electronics Harrisburg, PA 17105-3608	
NAME: PIN CONNECTOR RIGHT ANGLE, COMPLAINT TAILS FLATPAQ	
SIZE: A2	CAGE CODE: 00779
DRAWING NO: 6646911	RESTRICTED TO: -
SCALE: 3:1	SHEET 1 OF 3 REV A

ELCON FLATPAQ

THIS DRAWING IS UNPUBLISHED. RELEASED FOR PUBLICATION 20
 © COPYRIGHT 20 BY TYCO ELECTRONICS CORPORATION. ALL RIGHTS RESERVED.

LOC	DIST	REVISIONS					
GP	00	P	LTR	DESCRIPTION	DATE	DWN	APVD
		-		SEE SHEET 1	-	-	-



PRINTED CIRCUIT LAYOUT
SCALE 3:1

CONNECTOR	CATALOG MODULE #	QTY	SIZE NO.	CONTACT QTY	MATING PIN	MAX. CURRENT (PER CONTACT)	CONTACT SPACING	VOLTAGE RATING
PIN	FP205	3	8	3	1.25 X 7.00 [.049 X .276]	35 amps	7.50 [.2953]	250

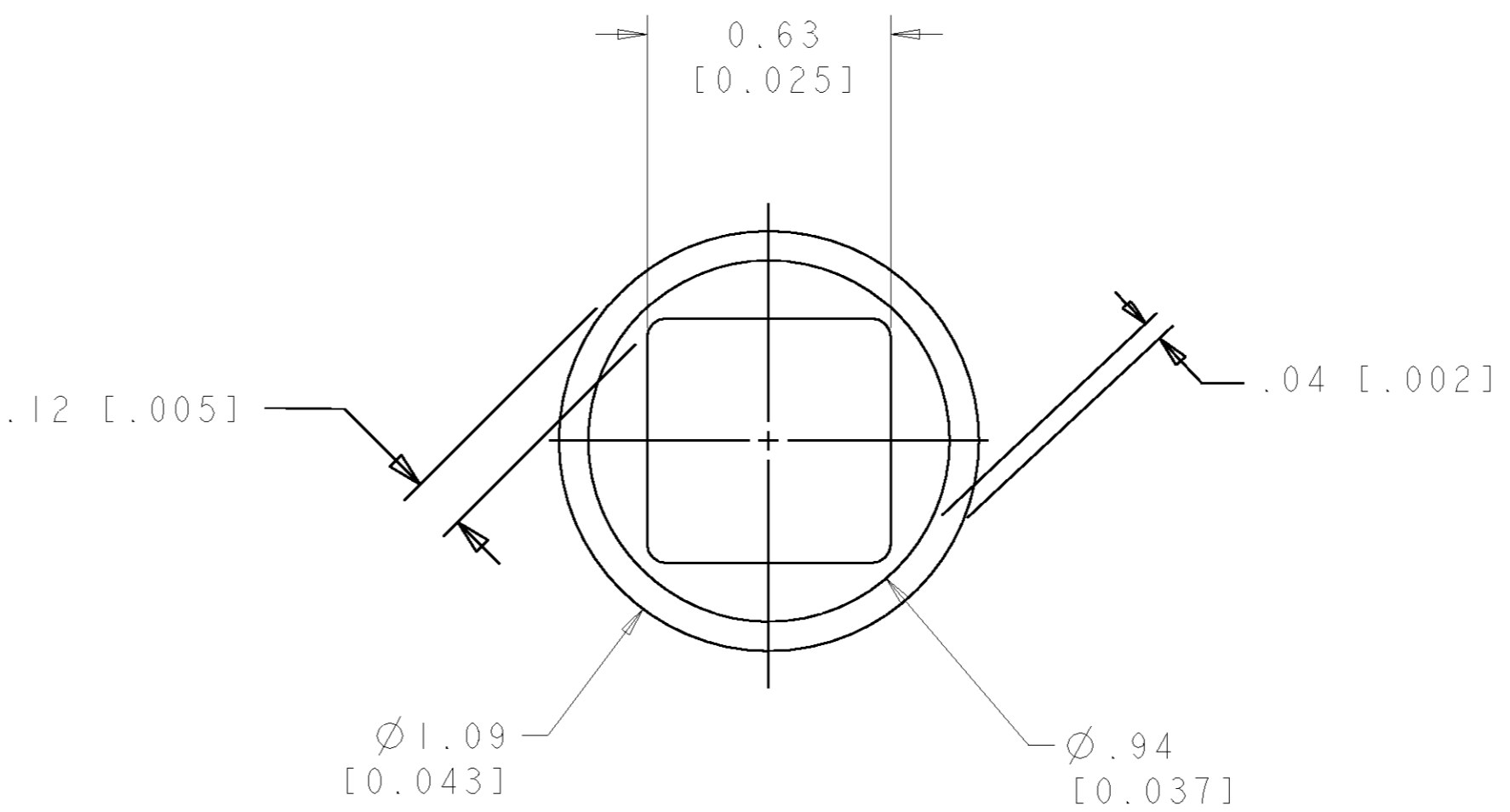
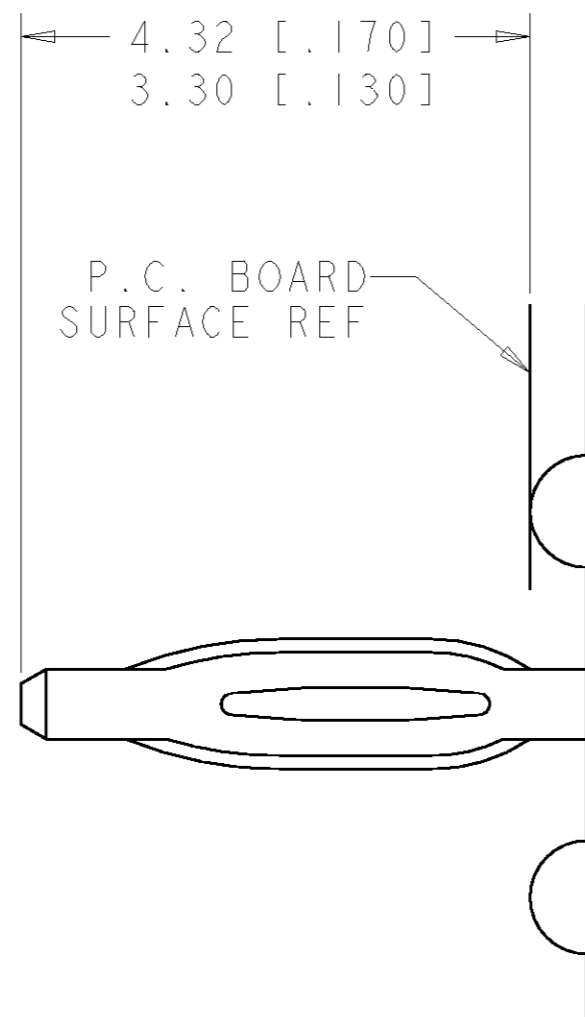
THIS DRAWING IS A CONTROLLED DOCUMENT FOR TYCO ELECTRONICS CORPORATION. IT IS SUBJECT TO CHANGE AND THE CONTROLLING ENGINEERING ORGANIZATION SHOULD BE CONTACTED FOR THE LATEST REVISION.

DWN R. GRZYBOWSKI 19APR07	 Tyco Electronics Harrisburg, PA 17105-3608					
CHK D. ORRIS 19APR07						
APVD S. FLICKINGER 19APR07						
NAME PIN CONNECTOR RIGHT ANGLE, COMPLAINT TAILS FLATPAQ						
DIMENSIONS: mm [INCHES]	TOLERANCES UNLESS OTHERWISE SPECIFIED:	PRODUCT SPEC -	SIZE A200779	CAGE CODE C-6646911	DRAWING NO. -	RESTRICTED TO -
MATERIAL -	FINISH -	APPLICATION SPEC -	WEIGHT -	SCALE 3:1	SHEET 2 OF 3	REV A

CUSTOMER DRAWING

THIS DRAWING IS UNPUBLISHED. RELEASED FOR PUBLICATION 20
 © COPYRIGHT 20 BY TYCO ELECTRONICS CORPORATION. ALL RIGHTS RESERVED.

LOC	DIST	REVISIONS			
P	LTR	DESCRIPTION	DATE	DWN	APVD
GP	00	-	SEE SHEET 1	-	-



5. COMPLIANT PIN DETAIL
 SCALE 10 : 1
 INSERTION/EXTRACTION FORCES
 MAXIMUM PUSH IN: 133.3N PER PIN
 [30 LBS]
 MINIMUM PUSH OU: 44.4N PER PIN
 [10 LBS]

6. SOLDER TERMINATION AREA
 SCALE 40:1
 RECOMMENDED PRINTED CIRCUIT HOLE
 COMPLIANT PRESS FIT
 DRILLED HOLE: Ø1.15 [.0453] ±.013 [.0005]
 COPPER PLATE: .025 [.0010] TO .050 [.0020]
 TIN PLATE: .0005 [.000020] MIN. (PER SURFACE)

THIS DRAWING IS A CONTROLLED DOCUMENT FOR TYCO ELECTRONICS CORPORATION IT IS SUBJECT TO CHANGE AND THE CONTROLLING ENGINEERING ORGANIZATION SHOULD BE CONTACTED FOR THE LATEST REVISION.		DWN R. GRZYBOWSKI 19APR07	Tyco Electronics Harrisburg, PA 17105-3608	
DIMENSIONS: mm [INCHES]		CHK D. ORRIS 19APR07	NAME PIN CONNECTOR RIGHT ANGLE, COMPLAINT TAILS FLATPAQ	
TOLERANCES UNLESS OTHERWISE SPECIFIED: 0 PLC ±- 1 PLC ±.5 [.020] 2 PLC ±.25 [.010] 3 PLC ±- 4 PLC ±- ANGLES ±.5		APVD S. FLICKINGER 19APR07	RESTRICTED TO -	
MATERIAL	FINISH	PRODUCT SPEC	SIZE A200779	CAGE CODE C-6646911
-	-	APPLICATION SPEC	SCALE 3:1 SHEET 3 OF 3 REV A	
CUSTOMER DRAWING		WEIGHT	-	

单击下面可查看定价，库存，交付和生命周期等信息

[>>TE Connectivity\(泰科\)](#)