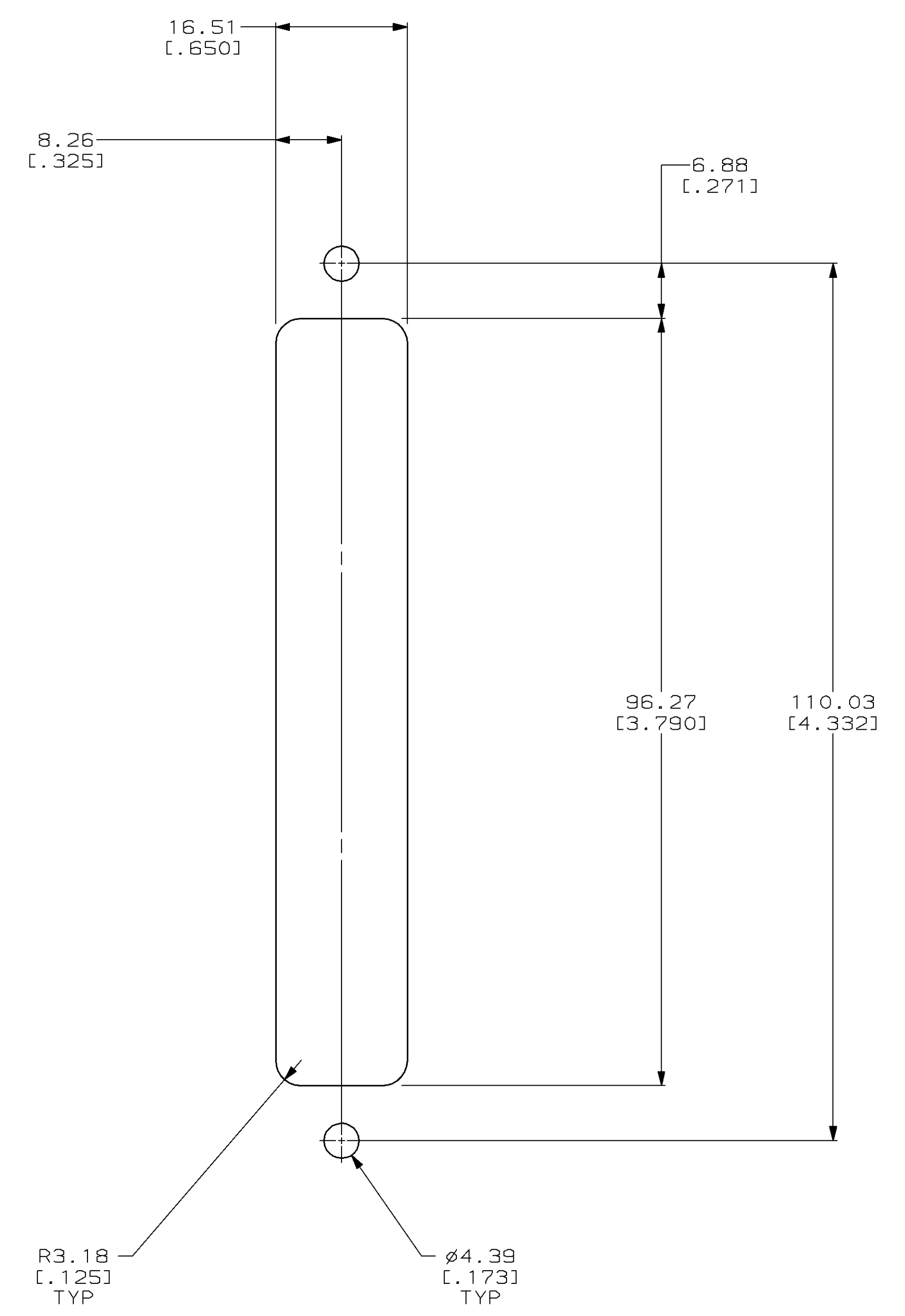
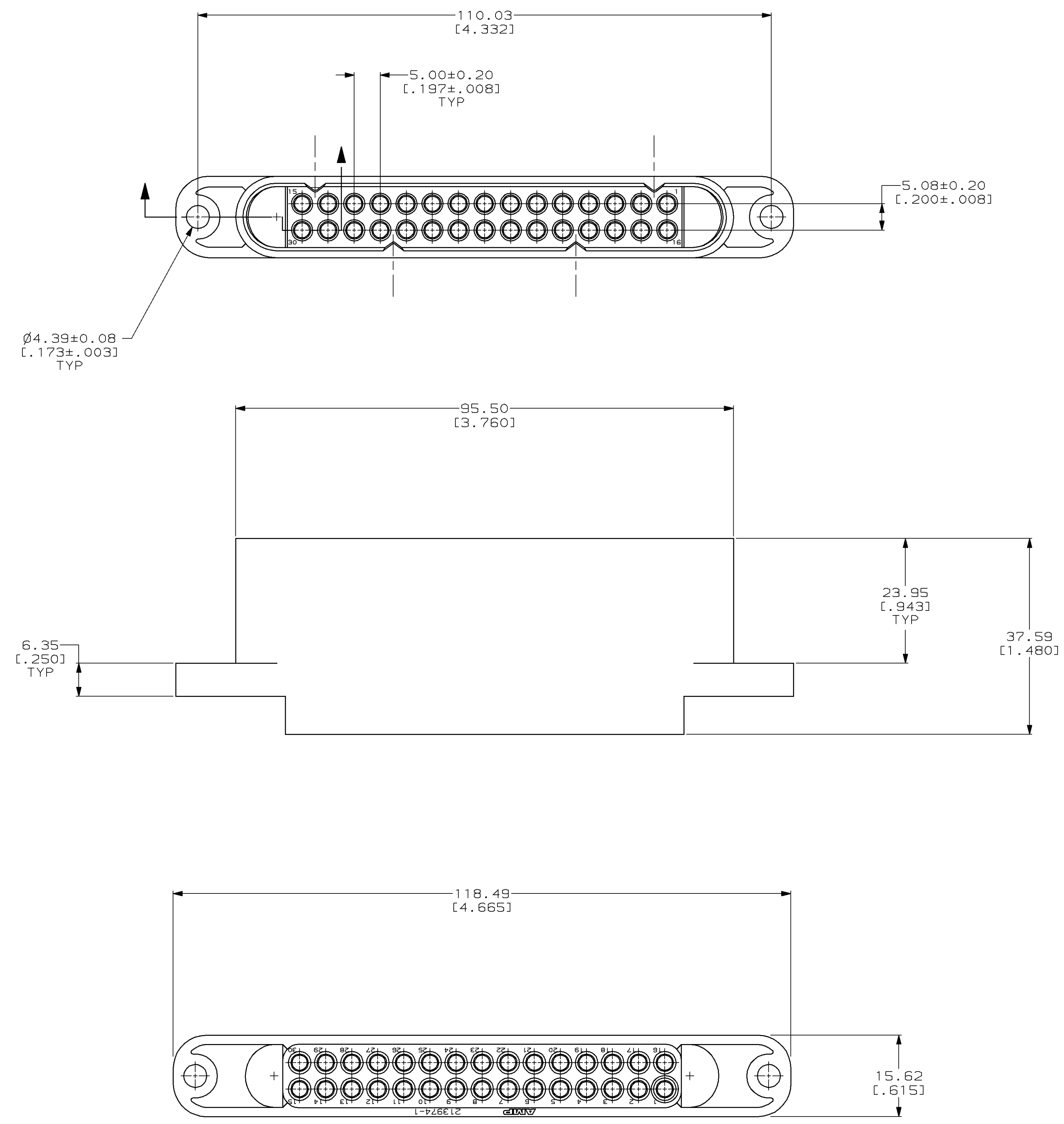


LOC	DIST	REVISIONS			
P	LTR	DESCRIPTION	DATE	DWN	APVD
0		RLSE PER NPR 37 WAS 97-5018-4-1	15 MAY 97	-	-
A		REV PER EC 0320-15-98	26 JAN 98	MB	MM
B		REV PER EC 061C-35-98	14 APR 98	PB	MM

1. THIS HOUSING ACCEPTS TYPE III+ PIN CONTACTS.



RECOMMENDED PANEL CUTOUT

213974-1
 PART NUMBER

THIS DRAWING IS A CONTROLLED DOCUMENT.		DWN C. OBERMAN 15 MAY 97	AMP Incorporated Harrisburg, PA 17105-3508
DIMENSIONS mm (INCHES)	TOLERANCES UNLESS OTHERWISE SPECIFIED:	CHK R. STONE 20 MAY 97	APVD M. McALONIS 21 MAY 97
	0 PLC ±	PRODUCT SPEC	NAME
	1 PLC ±	108-10033	HOUSING, RECEPTACLE
	2 PLC ±0.13 (.005)	APPLICATION SPEC	30 POSITION, METRIMATE
	3 PLC ±	114-10039	SIZE
MATERIAL POLYESTER, BLACK	FINISH -	WEIGHT -	RESTRICTED TO
CUSTOMER DRAWING		A1 00779	SCALE 2:1 SHEET 1 OF 1 REV B

单击下面可查看定价，库存，交付和生命周期等信息

[>>TE Connectivity\(泰科\)](#)