

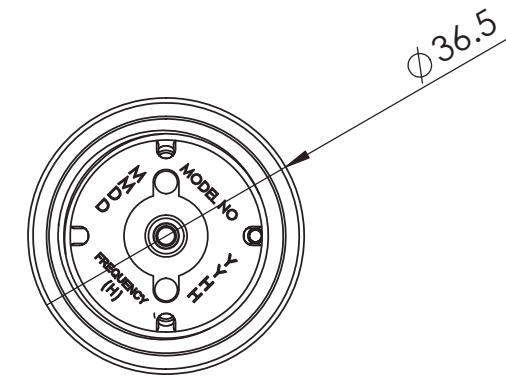
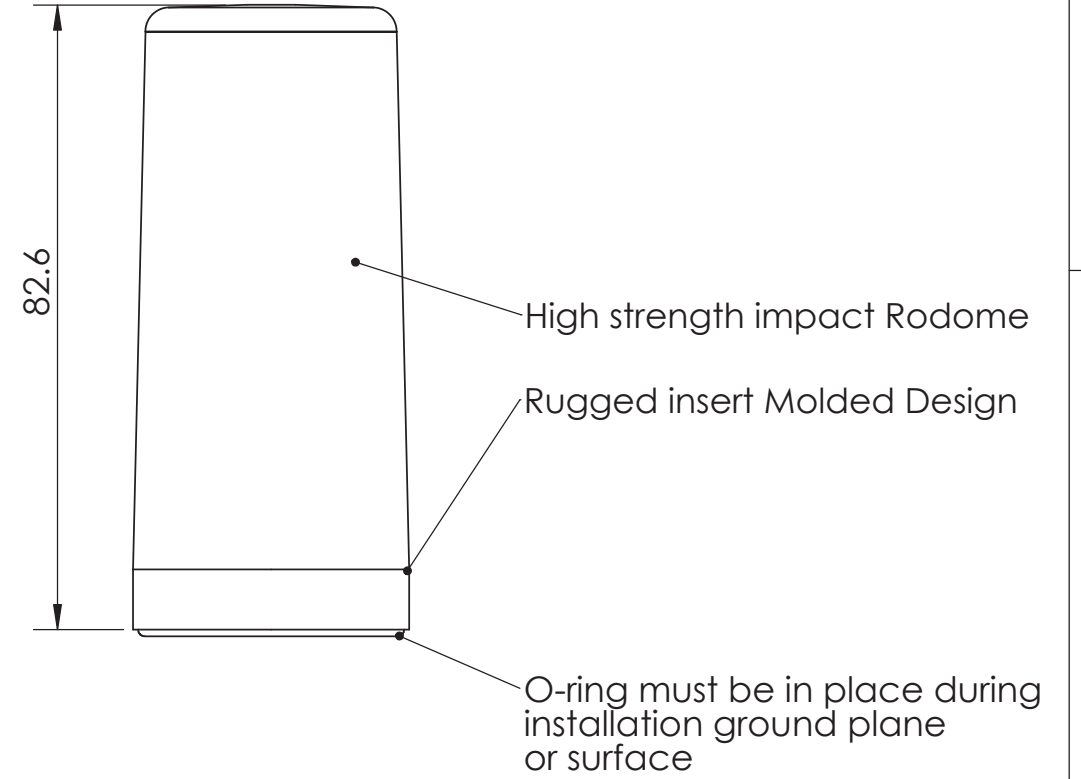
# Electrical SPEC

Item	Model Number	Antenna Color	Frequency	VSWR	Gain (Typical)	Gain (Max)	Input Impedance	Polarization
1	UTRA4502S3NW-001	WHITE	450-512 MHz	<2.5:1	3.7 dBi	4.1 dBi	50 ohm	Vertical
2	UTRA4502S3NB-001	BLACK	450-512 MHz	<2.5:1	3.7 dBi	4.1 dBi	50 ohm	Vertical

\*Tested on 2ft x 2ft Ground Plane

## REVISIONS

REV.	ECR#	ZONE	DESCRIPTION	CHANGED BY/DATE	APPROVED BY/DATE
F01	ECN-IAS-03462	N/A	MO RELEASED	TPC 8 MAY 13	CYH 8 MAY13



## Parameter

## Mechanical SPEC

Model Number	Refer to Config Table Below
Antenna Type	Shorted Monopole
Weight	163.3g
Mounting	NMO
Wind Survival	282 km/h
Antenna Dimension	82.6(H)X36.5(Dia.)mm (Excludes Gasket Height)
Operating Temperature	-45°C ~ +85°C
Storage Temperature	-50°C ~ +85°C
Ingression Protection	IP67
Installation Torque	5.43~8.14 Nm

<b>MATERIAL:</b> N/A		THIRD ANGLE PROJECTION			
<b>FINISH:</b> N/A		DO NOT SCALE DRAWING			
APPROVALS		DATE		TITLE:	
DRAWN BY	TP CHEE	8 MAY 13		UTRA4502S3N	
ELEC. ENG.				SIZE	
MECH. ENG.	TP CHEE	8 MAY 13		A3	
MFG./OPS.				DWG. NO.	
				UTRA4502S3NMO	
				REV	
				F01	
				SCALE: 1:2	
				PREVIOUS#	
				SHEET 1 OF 1	

THIS DRAWING IS UNPUBLISHED.

RELEASED FOR PUBLICATION

© Copyright 2022 TE Connectivity Ltd.

ALL RIGHTS RESERVED.

单击下面可查看定价，库存，交付和生命周期等信息

[>>TE Connectivity\(泰科\)](#)