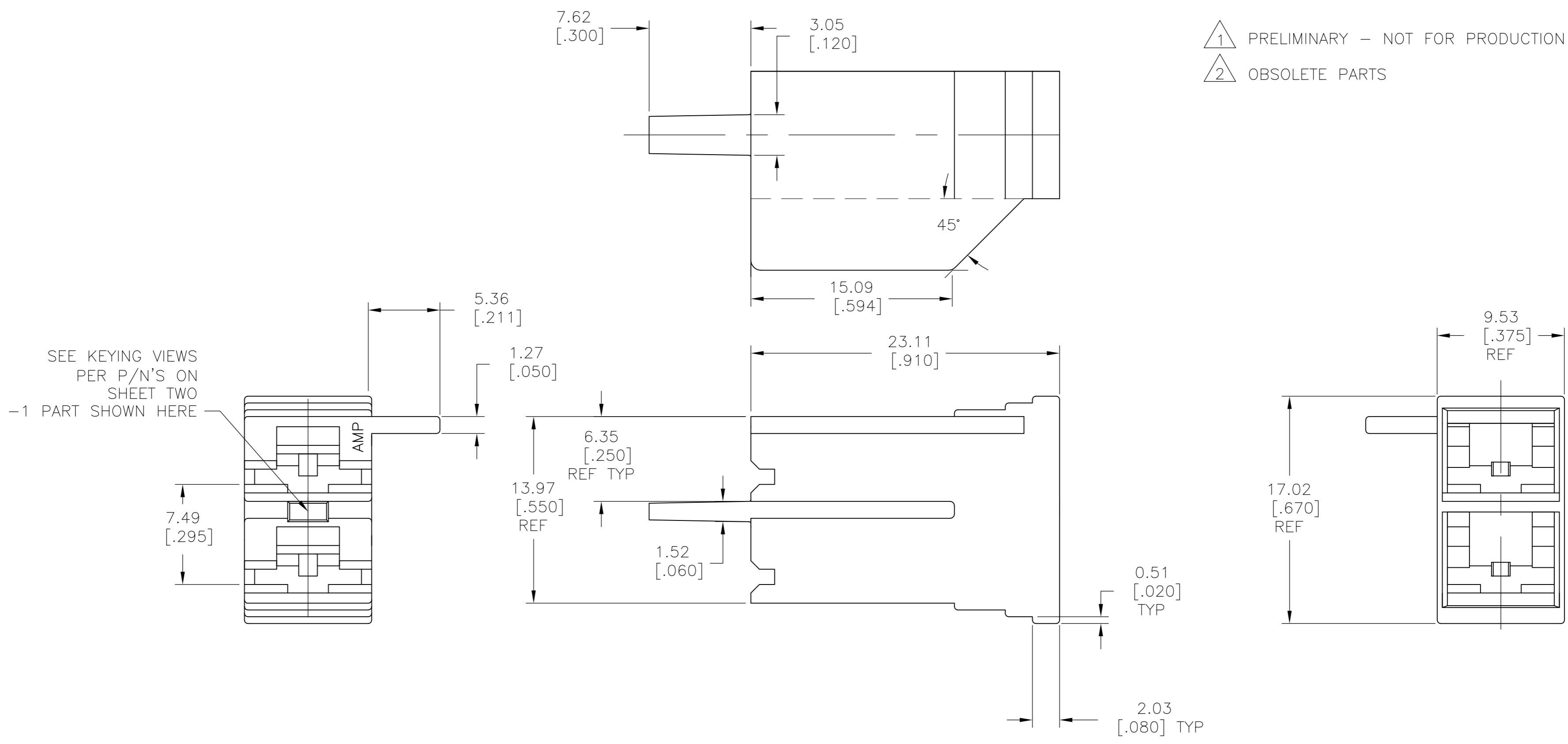


THIS DRAWING IS UNPUBLISHED. RELEASED FOR PUBLICATION
 © COPYRIGHT - TE Connectivity Ltd. ALL RIGHTS RESERVED.

REVISIONS					
P	LTR	DESCRIPTION	DATE	DWN	APVD
A4		REVISED PER ECR-18-002453	02MAR2018	BDA	DS



1 PRELIMINARY - NOT FOR PRODUCTION
 2 OBSOLETE PARTS

COLOR	MATERIAL	PART NO
RED	66 NYLON, V0	1 1969232-5
GREEN	66 NYLON, V0	1969232-4
YELLOW	66 NYLON, V0	1969232-3
BLACK	66 NYLON, V0	2 1969232-2
NATURAL	66 NYLON, V0	1969232-1

THIS DRAWING IS A CONTROLLED DOCUMENT.

DWN	jr ruth	16DEC08
CHK	P DESANTIS	16DEC08
APVD	P DESANTIS	16DEC08

NAME: HOUSING, RECEPTACLE, FASTON, .250 SERIES, 2 CIRCUIT

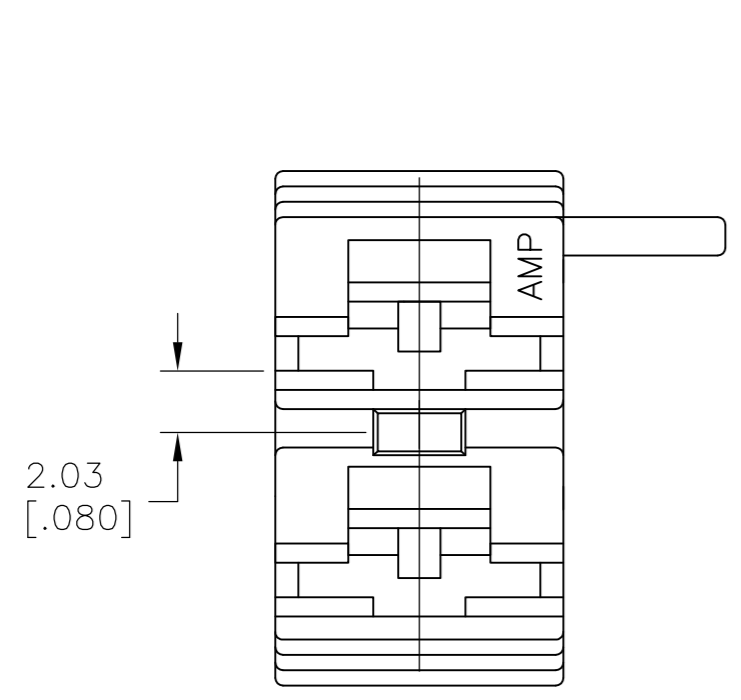
SIZE	CAGE CODE	DRAWING NO	RESTRICTED TO
A2	00779	C=1969232	-

CUSTOMER DRAWING SCALE 4:1 SHEET 1 OF 2 REV A4

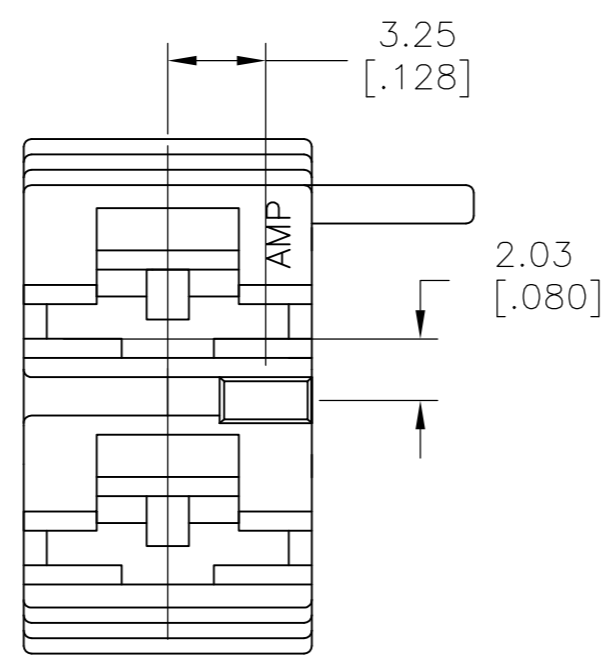
DIMENSIONS:	TOLERANCES UNLESS OTHERWISE SPECIFIED:
mm [INCHES]	
0 PLC	± -
1 PLC	± -
2 PLC	± 0.25 [.010]
3 PLC	± -
4 PLC	± -
ANGLES	± 5°
FINISH	SEE TABLE

THIS DRAWING IS UNPUBLISHED. RELEASED FOR PUBLICATION
 © COPYRIGHT - TE Connectivity Ltd. ALL RIGHTS RESERVED.

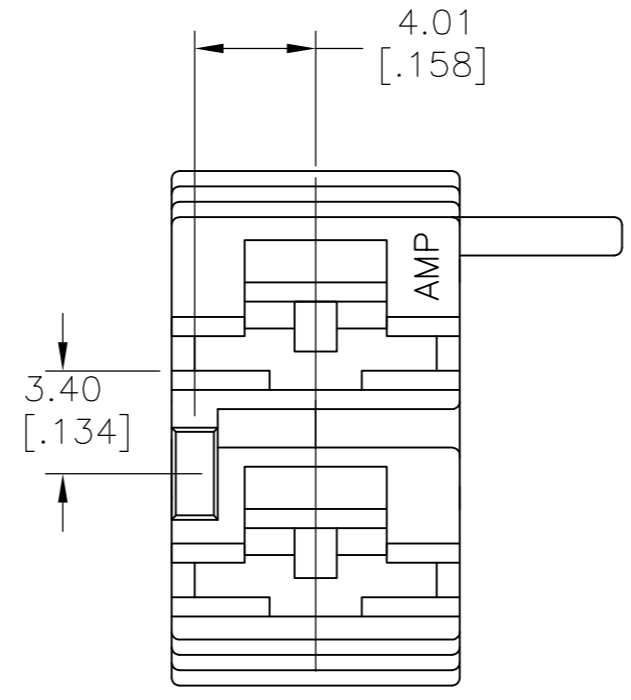
REVISIONS					
P	LTR	DESCRIPTION	DATE	DWN	APVD
-	-	SEE SHEET 1	-	-	-



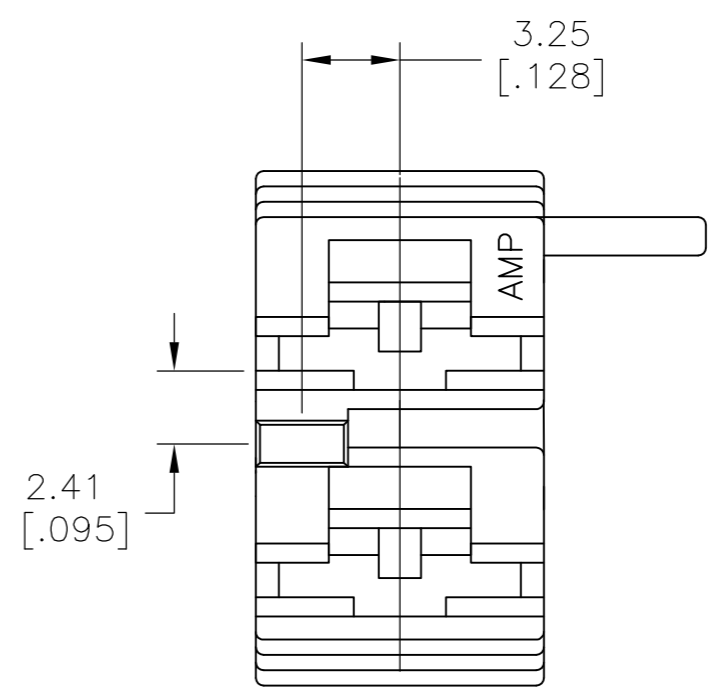
KEYING FOR -1
TAB ENTRY VIEW
NATURAL



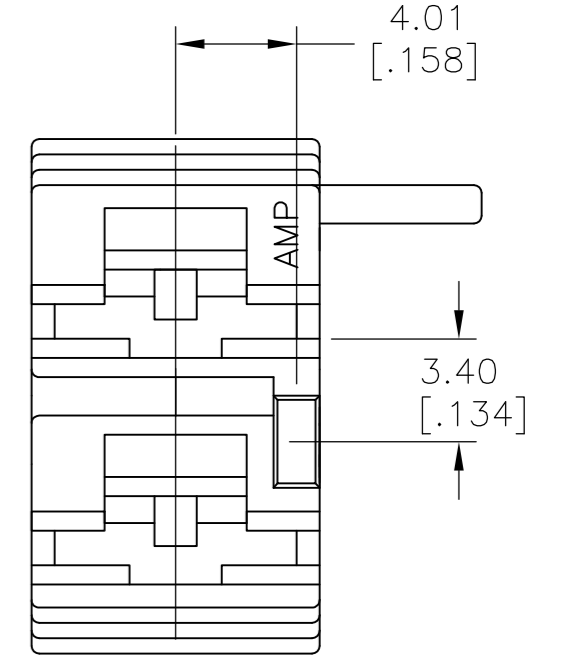
KEYING FOR -2
TAB ENTRY VIEW
BLACK



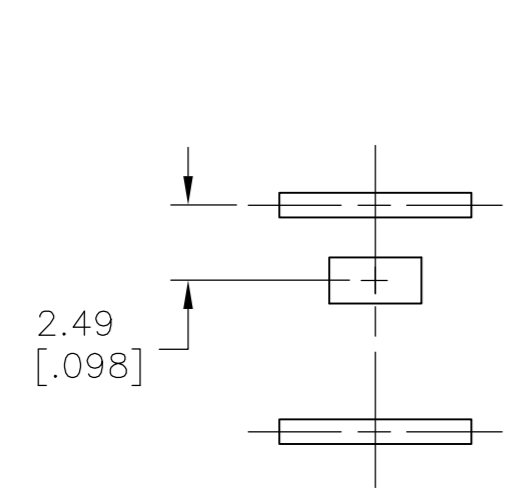
KEYING FOR -3
TAB ENTRY VIEW
YELLOW



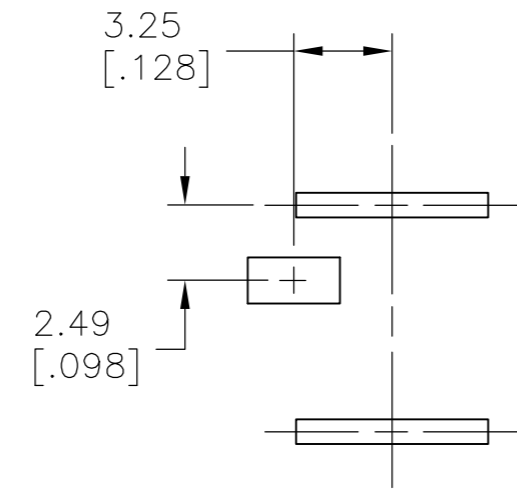
KEYING FOR -4
TAB ENTRY VIEW
GREEN



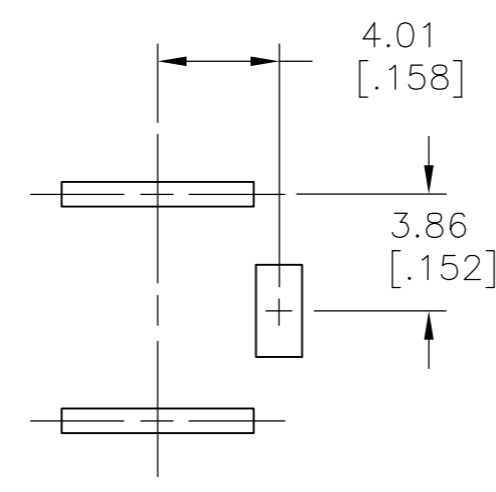
KEYING FOR -5
TAB ENTRY VIEW
RED



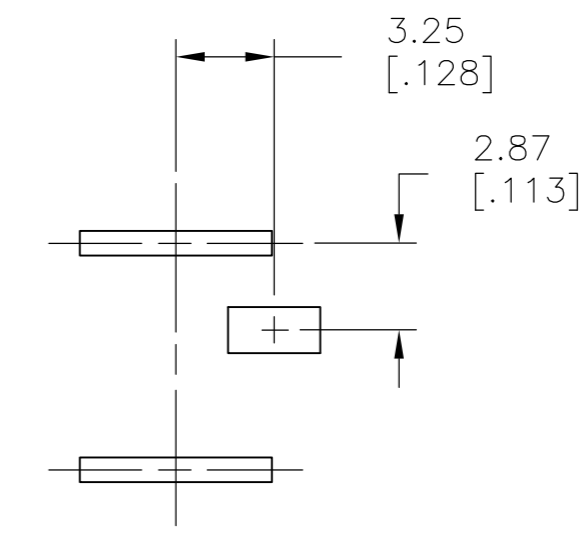
SUGGESTED
PC BOARD
CIRCUIT FOR
1969232-1



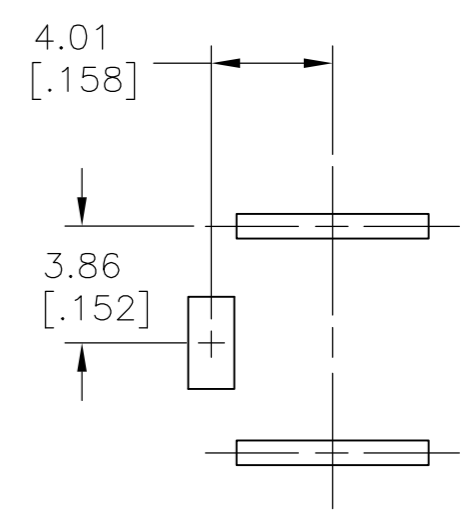
SUGGESTED
PC BOARD
CIRCUIT FOR
1969232-2



SUGGESTED
PC BOARD
CIRCUIT FOR
1969232-3



SUGGESTED
PC BOARD
CIRCUIT FOR
1969232-4



SUGGESTED
PC BOARD
CIRCUIT FOR
1969232-5

THIS DRAWING IS A CONTROLLED DOCUMENT.		DWN jr ruth 16DEC08	TE Connectivity Ltd.	
DIMENSIONS: mm [INCHES]		CHK P DESANTIS 16DEC08		
TOLERANCES UNLESS OTHERWISE SPECIFIED:		APVD P DESANTIS 16DEC08	NAME HOUSING, RECEPTACLE, FASTON, .250 SERIES, 2 CIRCUIT	
0 PLC ± - 1 PLC ± - 2 PLC ± 0.25 [.010] 3 PLC ± - 4 PLC ± - ANGLES ± 5°		PRODUCT SPEC -	SIZE A2	
MATERIAL SEE TABLE		FINISH SEE TABLE	CAGE CODE 00779	DRAWING NO 1969232
		WEIGHT -	RESTRICTED TO -	SCALE 4:1
		CUSTOMER DRAWING	SHEET 2 OF 2	REV A4

单击下面可查看定价，库存，交付和生命周期等信息

[>>TE Connectivity\(泰科\)](#)