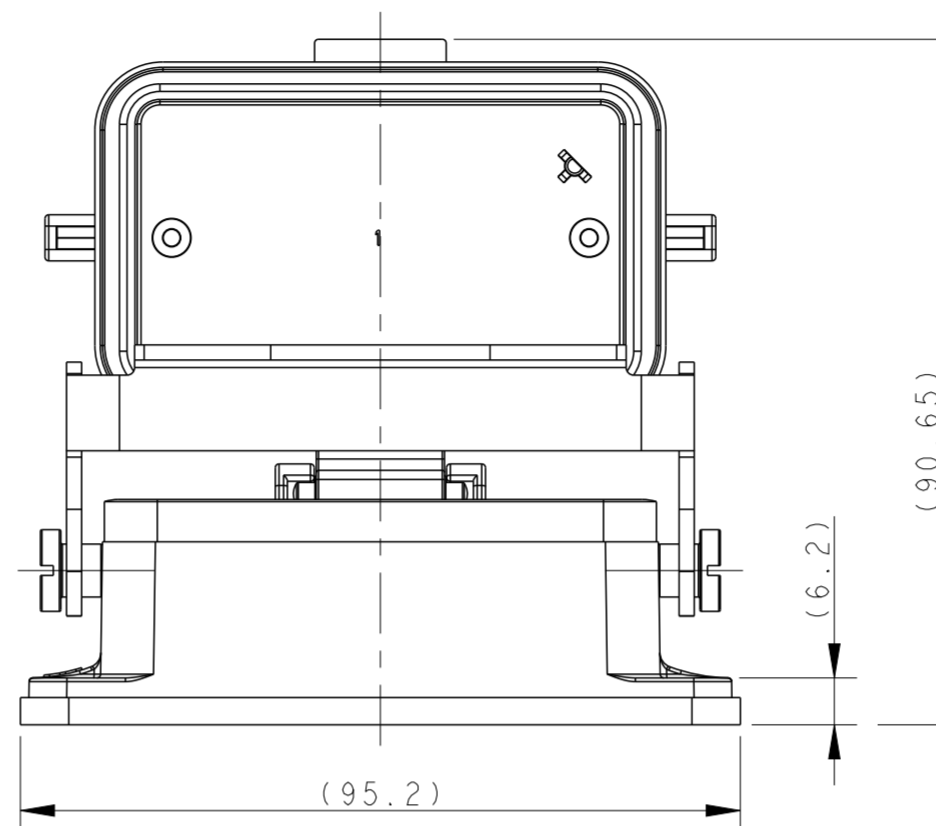
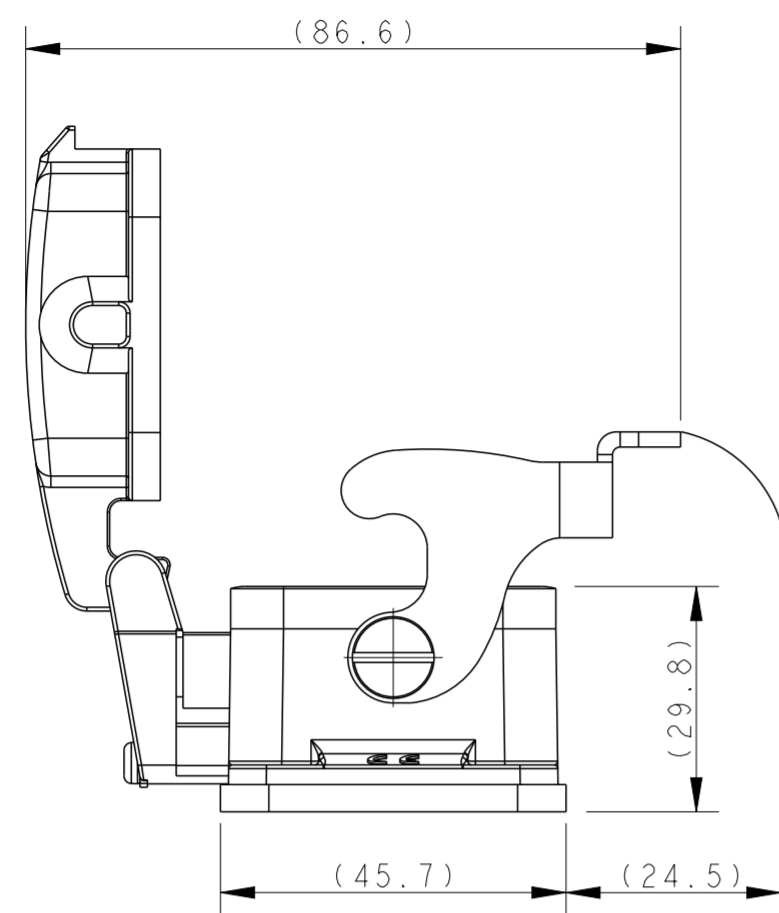


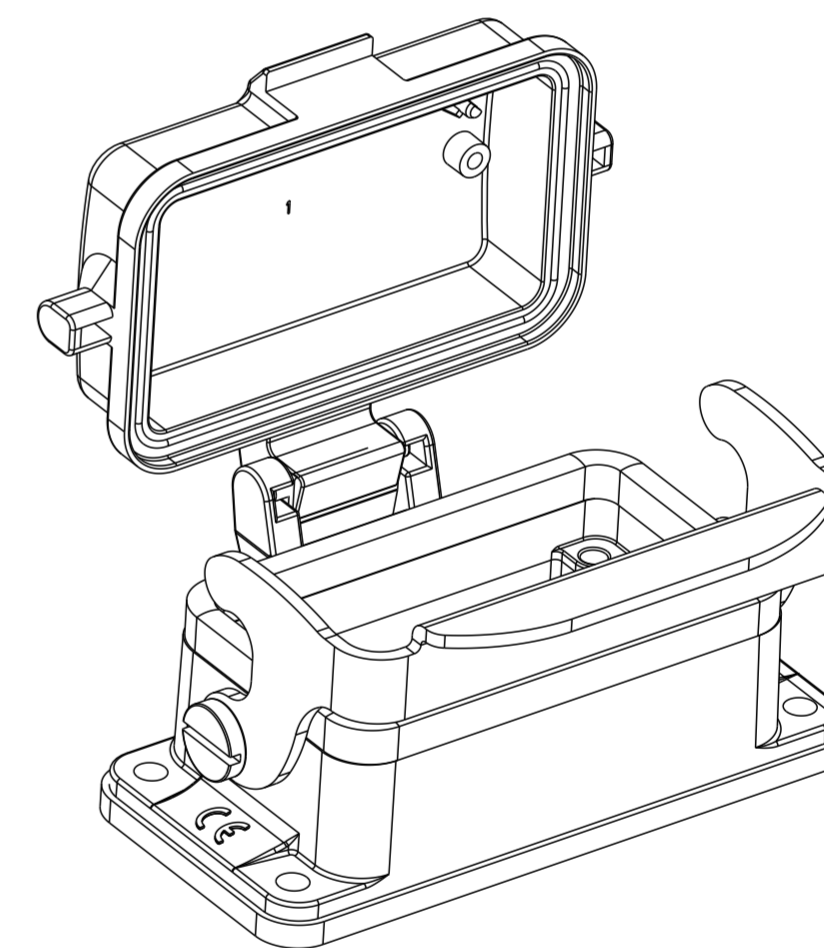
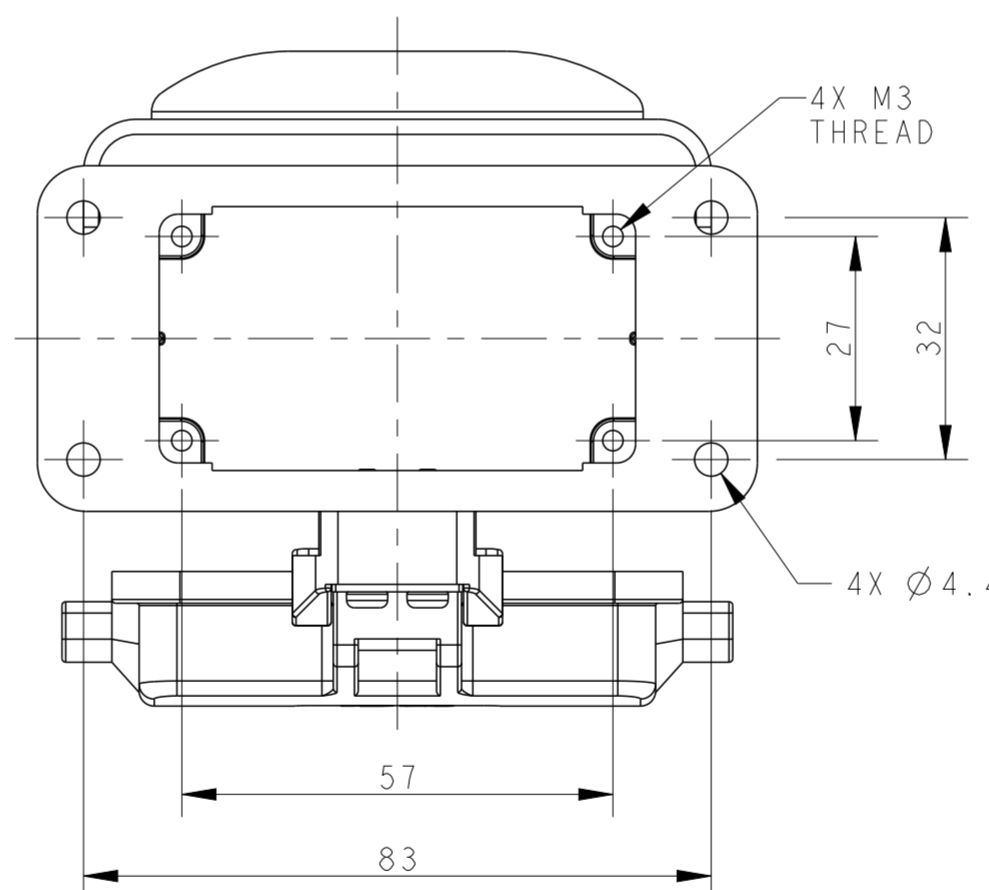
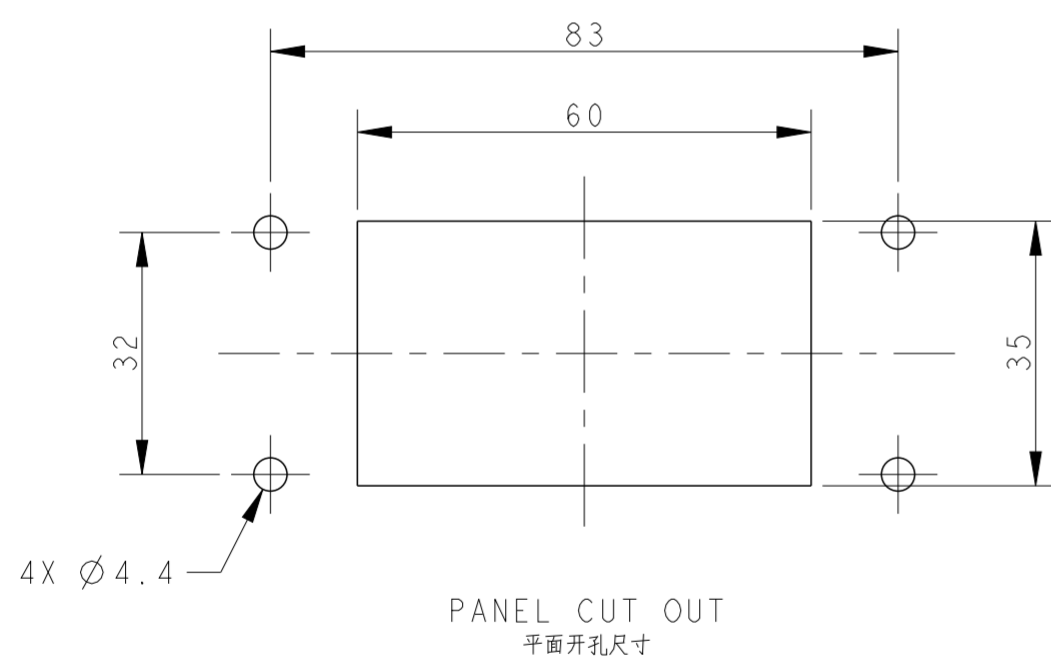
THIS DRAWING IS UNPUBLISHED. RELEASED FOR PUBLICATION 20  
 © COPYRIGHT 20 BY - ALL RIGHTS RESERVED.

REVISIONS					
P	LTR	DESCRIPTION	DATE	DWN	APVD
A		INITIAL	28OCT2017	YC	CW
B		ECR-20-008181	11JAN2021	WOR	CW



NOTES:  
 1. TECHNICAL CHARACTERISTICS:  
 HOUSING MATERIAL: DIE CAST ALUMINIUM ALLOY  
 SURFACE: POWDER COATED, GREY  
 DEGREE OF PROTECTION: IP65 (MATED)

注释:  
 1. 技术参数:  
 下壳材料: 铝合金  
 表面处理: 灰色粉末喷涂  
 防护等级: IP65(配合)



T1510103003-000	H10B-AD-LB	H10B HOUSING, BULKHEAD MOUNTED, METAL SINGLE LOCKING SHORT TYPE, PLASTIC PROTECTION COVER, POWDER COATED, GREY H10B下壳, 开孔安装, 彩锌单扣短款, 带塑料保护盖, 灰色粉末喷涂
PART NUMBER 料号	PART DESCRIPTION 产品描述	

THIS DRAWING IS A CONTROLLED DOCUMENT.		DWN YORK CHEN 28OCT2017	TE Connectivity																
DIMENSIONS: mm		CHK GINO YAO 28OCT2017																	
TOLERANCES UNLESS OTHERWISE SPECIFIED:		APVD CHRIS WANG 28OCT2017	NAME H10B-AD-LB																
<table border="1"> <tr><td>0 PLC</td><td>±</td></tr> <tr><td>1 PLC</td><td>±</td></tr> <tr><td>2 PLC</td><td>±</td></tr> <tr><td>3 PLC</td><td>±</td></tr> <tr><td>4 PLC</td><td>±</td></tr> <tr><td>ANGLES</td><td>±</td></tr> <tr><td>FINISH</td><td>±</td></tr> </table>		0 PLC	±	1 PLC	±	2 PLC	±	3 PLC	±	4 PLC	±	ANGLES	±	FINISH	±	PRODUCT SPEC 108-137013	SIZE A200779		
0 PLC	±																		
1 PLC	±																		
2 PLC	±																		
3 PLC	±																		
4 PLC	±																		
ANGLES	±																		
FINISH	±																		
MATERIAL		APPLICATION SPEC 114-137013	DRAWING NO C-T1510103003000																
		WEIGHT	RESTRICTED TO																
		CUSTOMER DRAWING	SCALE 1:1 SHEET 1 OF 1 REV B																

单击下面可查看定价，库存，交付和生命周期等信息

[>>TE Connectivity\(泰科\)](#)