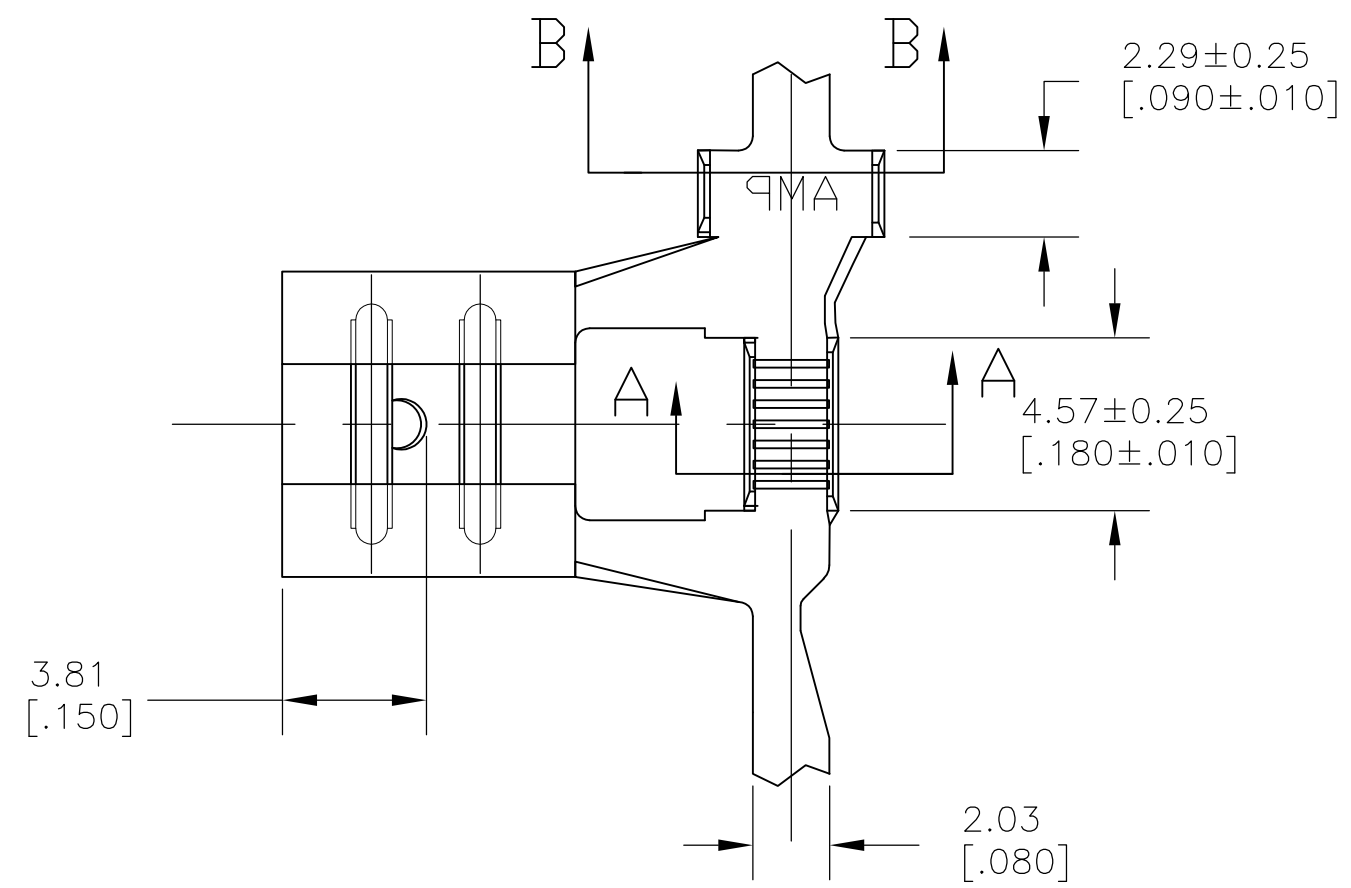
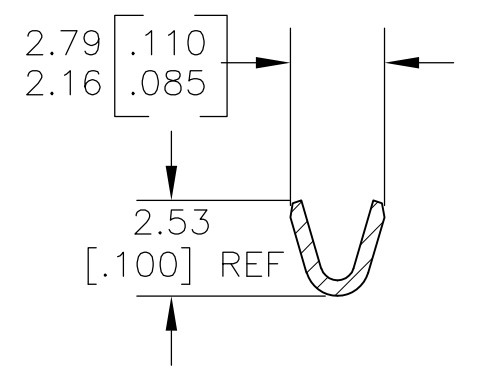
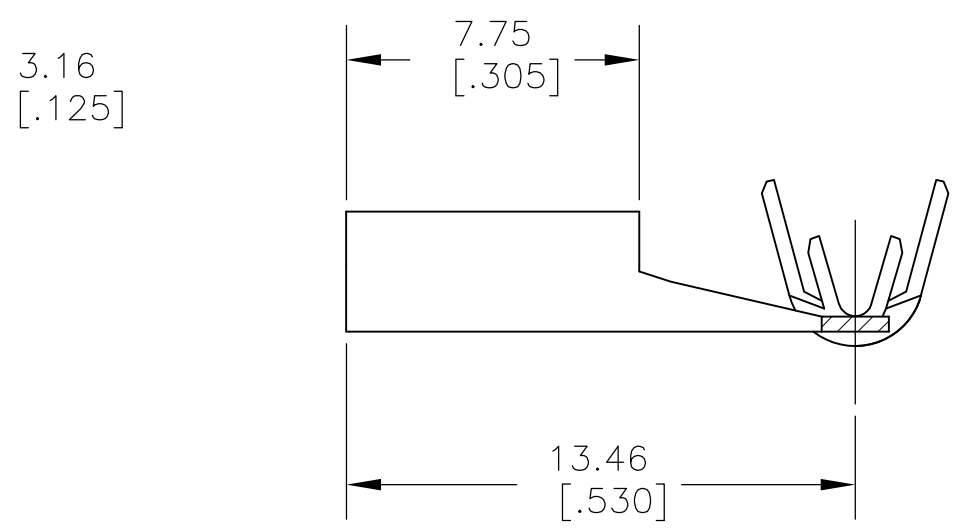
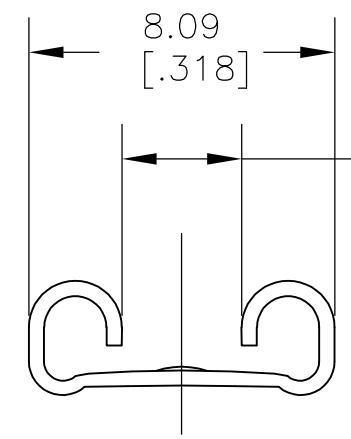


THIS DRAWING IS UNPUBLISHED. RELEASED FOR PUBLICATION
 © COPYRIGHT - By TYCO ELECTRONICS CORPORATION. ALL RIGHTS RESERVED.

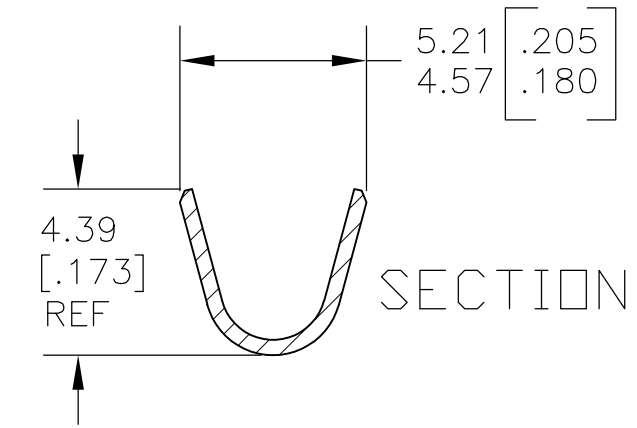
P	LTR	DESCRIPTION	DATE	DWN	APVD
B3		REVISE PER ECR-17-008694	20JUN2017	ANDY	PKS



- 1 CONTINUOUS STRIP ON REELS
- 2 WIRE SIZE IS 500-1900 CMA, 0.6-1.1mm DIA., SINGLE WIRE
CRIMP WIDTH IS 1.78 [.070], F TYPE
CRIMP HEIGHT(±0.05)=(Total CMA+5300)/126400
- 3 INSULATION RANGE 2.54-3.05 [.100-.120] DIA.
CRIMP WIDTH IS 3.56 [.140], OVERLAP TYPE
- △4 0.002032 [.000080] MIN TIN PLATE
- 5 MATING TAB THK IS 0.81±0.025 [.032±.001].
- △6 0.001016 [.000040] MIN TIN PLATE



SECTION A-A



SECTION B-B

△6	1742881-2
△4	1742881-1
FINISH	PART NO

THIS DRAWING IS A CONTROLLED DOCUMENT.		DWN jr_ruth 08DEC10	TE Connectivity		
DIMENSIONS: MM [INCHES]		CHK PETE DESANTIS 08DEC10			
TOLERANCES UNLESS OTHERWISE SPECIFIED:		APVD PETE DESANTIS 08DEC10	NAME RECEPTACLE, FASTON, FLAG, AMPLIVAR, 6.35 [.250] SERIES		
0 PLC ± - 1 PLC ± - 2 PLC ± 0.25 [.010] 3 PLC ± - 4 PLC ± - ANGLES ± 5°		PRODUCT SPEC 108-2086	DRAWING NO C-1742881		
MATERIAL BRASS		FINISH SEE TABLE	APPLICATION SPEC 114-2152	SIZE A3	RESTRICTED TO -
			WEIGHT 0.915	CAGE CODE 00779	SHEET 1 OF 1
			CUSTOMER DRAWING	SCALE 5:1	REV B3

单击下面可查看定价，库存，交付和生命周期等信息

[>>TE Connectivity\(泰科\)](#)