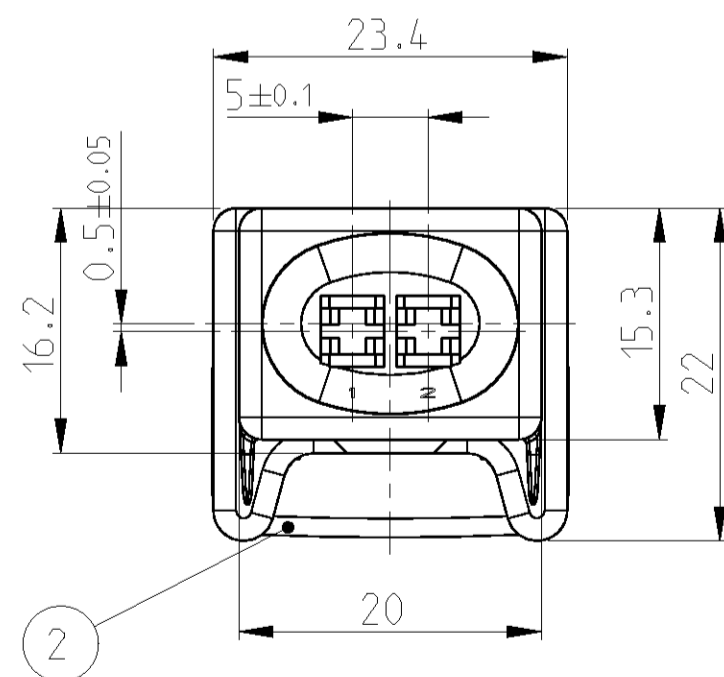
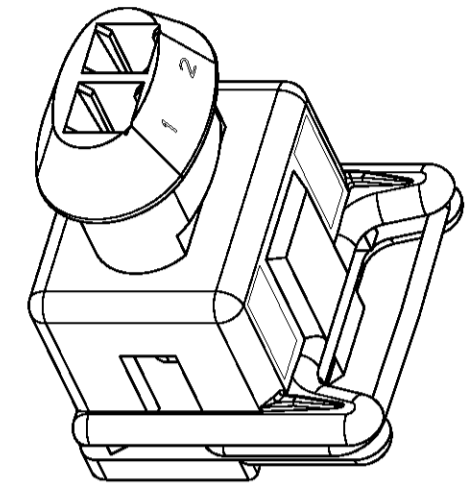
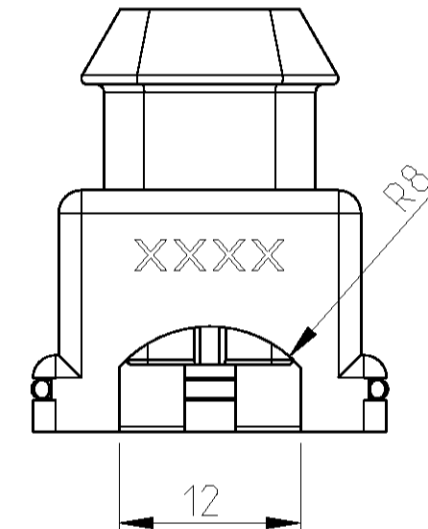
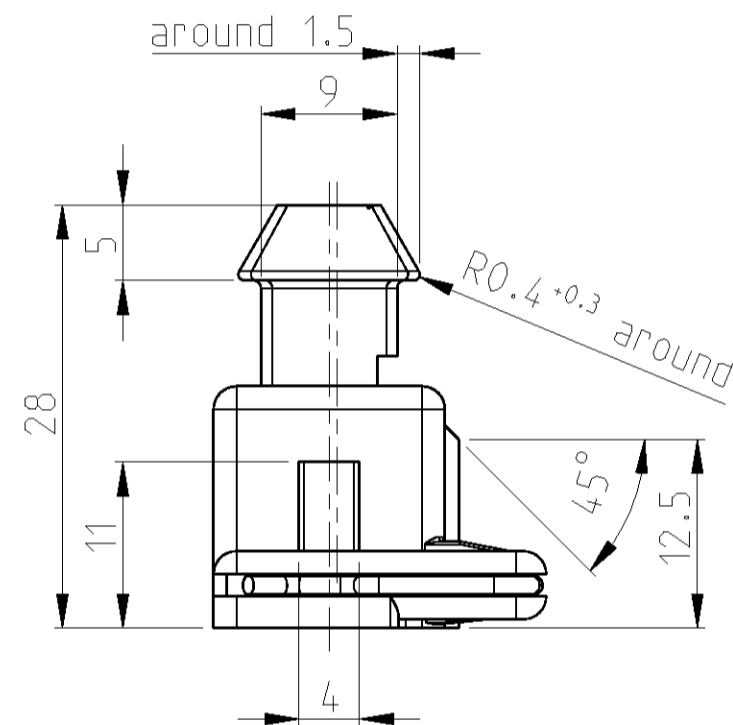
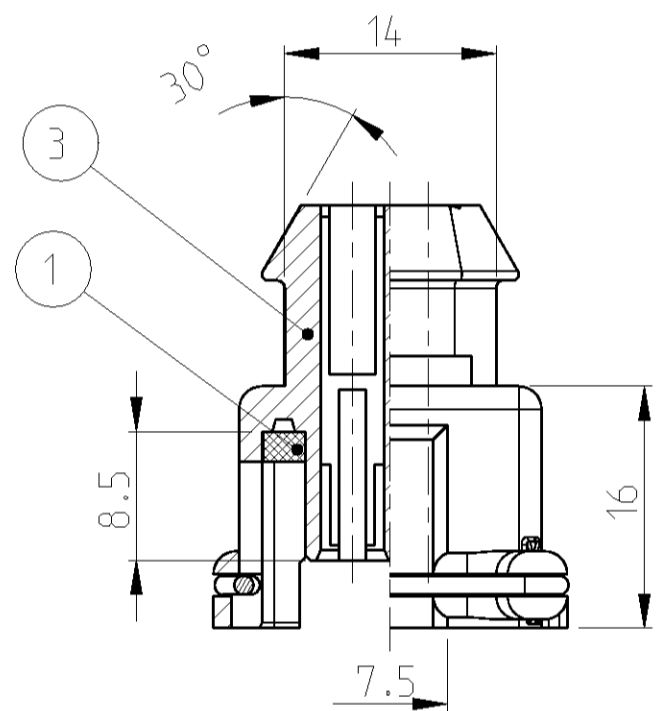
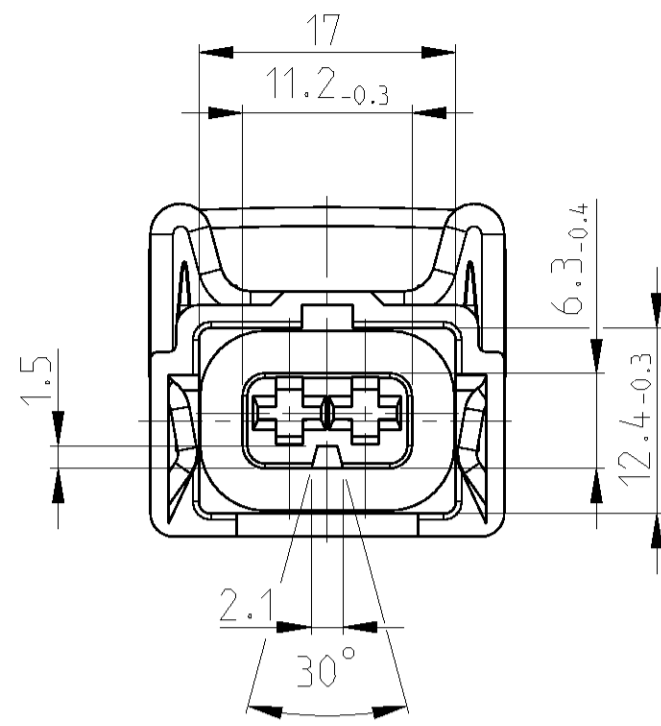


THIS DRAWING IS UNPUBLISHED. RELEASED FOR PUBLICATION 2006
 © COPYRIGHT BY ALL RIGHTS RESERVED.

LOC		DIST		REVISIONS			
P	LTR	DESCRIPTION	DATE	DWN	APVD		
A3		REVISED PER ECO-11-005150	28APR11	RK	HMR		



828 657-8	828 657-7	828 657-6	828 657-5	828 657-4	828 657-3	828 657-2	828 657-1	PART-NO.	DESCRIPTION	ITEM NO.	MATERIAL	COLOR
1								928 554-8		3		YELLOW
	1							928 554-7		3		RED
		1						928 554-6		3		GREEN
			1					928 554-5		3		BLUE
				1				928 554-4		3		BROWN
					1			928 554-3		3		BLACK
						1		928 554-2		3		GREY
							1	928 554-1		3		NATURAL
1	1	1	1	1	1	1	1	827 547-1	SPRING	2	DIN 2076	
1	1	1	1	1	1	1	1	825 383-1	SEALING	1	NEOPRENE	
									2 POS. HOUSING		PA 6.6 GFV 30	

DWN Drott 13MAR1986		STE TE Connectivity	
CHK Wending		NAME 2POS. HSG. FOR JUNIOR-POWER-TIMER CONTACT	
APVD Bleicher, M. 25AUG2006		2 pol. Gehäuse für Junior-Power-Timer Kontakt	
PRODUCT SPEC		SIZE CAGE CODE DRAWING NO. RESTRICTED TO	
APPLICATION SPEC		A2 00779 C-828657	
WEIGHT		SCALE 2:1 SHEET 1 OF 1 REV A3	
CUSTOMER DRAWING			

单击下面可查看定价，库存，交付和生命周期等信息

[>>TE Connectivity\(泰科\)](#)