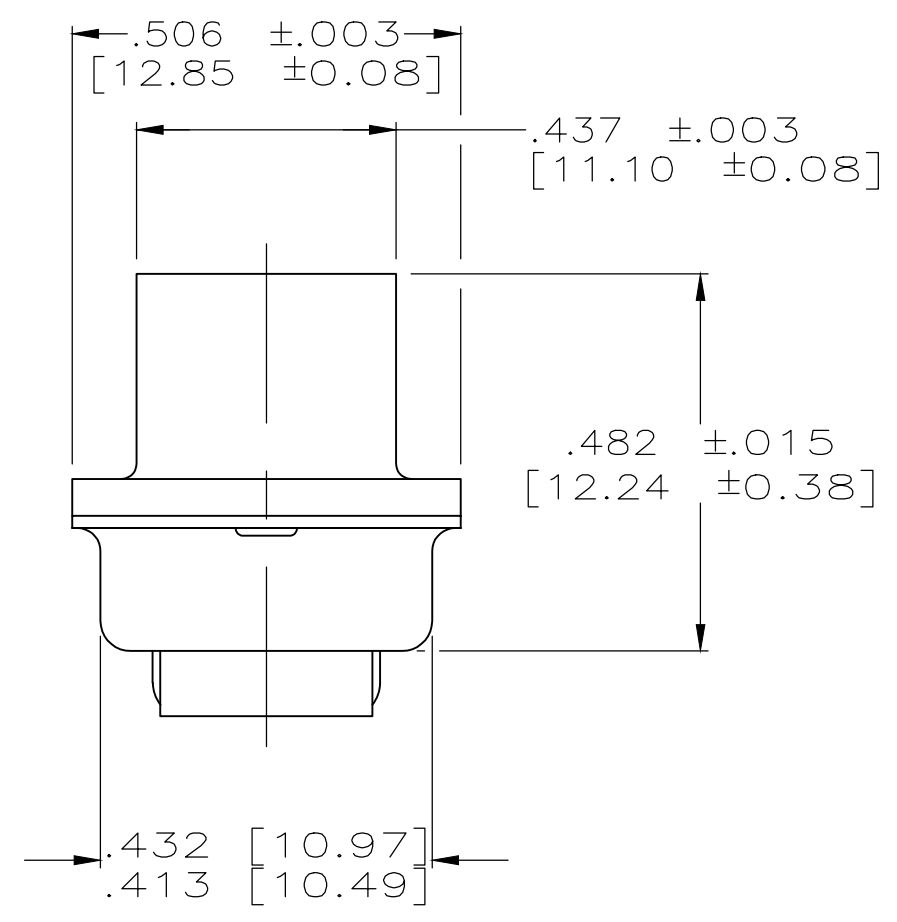
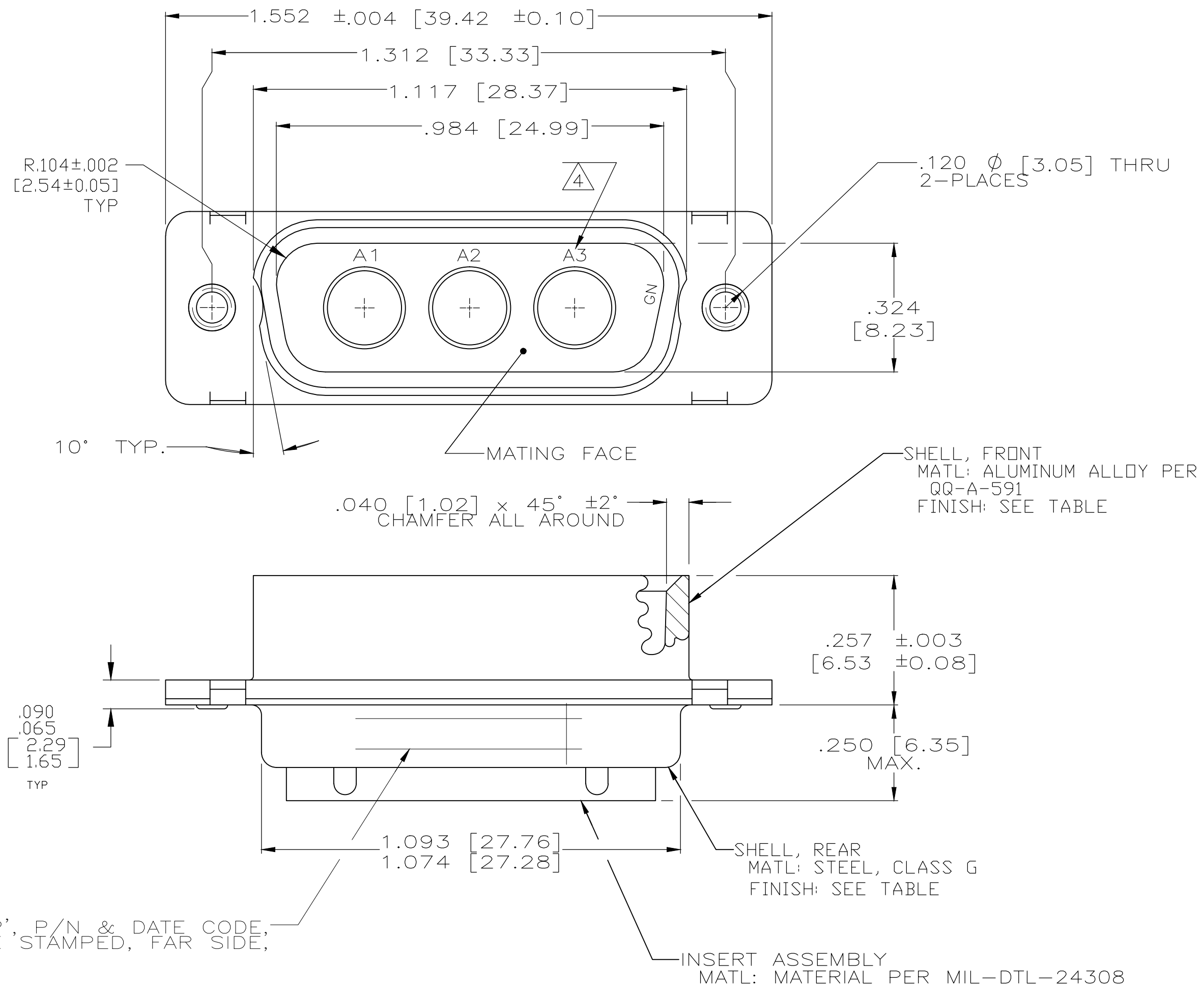


THIS DRAWING IS UNPUBLISHED. RELEASED FOR PUBLICATION  
 © COPYRIGHT - By - ALL RIGHTS RESERVED.

LOC	DIST	REVISIONS					
DF	D5	P	LTR	DESCRIPTION	DATE	DWN	APVD
		B		REVISED PER ECO-15-005922	27-May-15	MGM	CT



'AMP', P/N & DATE CODE, INK STAMPED, FAR SIDE;

- THIS PLUG WILL MATE WITH ANY 3C3, SIZE 2 RECEPTACLE IN AMPLIMITE SERIES.
  - THIS PLUG IS DESIGNED TO CONFORM TO THE LATEST ISSUE OF MIL-C-24308.
  - CONTACTS NOT SUPPLIED WITH ASSEMBLY. CONTACTS TO BE PURCHASED SEPARATELY.
- ④ RAISED NUMBERS FOR IDENTIFICATION OF CIRCUIT HOLES.
  - ⑤ FINISH: CADMIUM PER QQ-P-416; YELLOW CHROMATE.
  - ⑥ FINISH: ZINC PLATED PER ASTM-B-633 .000200 MIN THK WITH SUPPLEMENTARY CHROMATE (Cr3+).

⑥	5-447717-1
⑤	447717-1
FINISH	PART NO.

THIS DRAWING IS A CONTROLLED DOCUMENT.		DWN	27-May-15	 TE Connectivity	PLUG ASSY,AMPLIMITE,3C3,SIZE 2, SERIES 109,COAX MIX
DIMENSIONS: INCHES [MM]		CHK	27-May-15		
TOLERANCES UNLESS OTHERWISE SPECIFIED:		APVD	27-May-15		
0 PLC ± - 1 PLC ± - 2 PLC ± - 3 PLC ± .005 4 PLC ± - ANGLES ± -		NAME	CHARLES THOMAS		
MATERIAL	SEE CALLOUTS	FINISH	-	SIZE	A2
CUSTOMER DRAWING		WEIGHT	-	CAGE CODE	00779
		SCALE 4:1		DRAWING NO	C=447717
		SHEET 1 of 1		RESTRICTED TO	-
		REV B			

单击下面可查看定价，库存，交付和生命周期等信息

[>>TE Connectivity\(泰科\)](#)