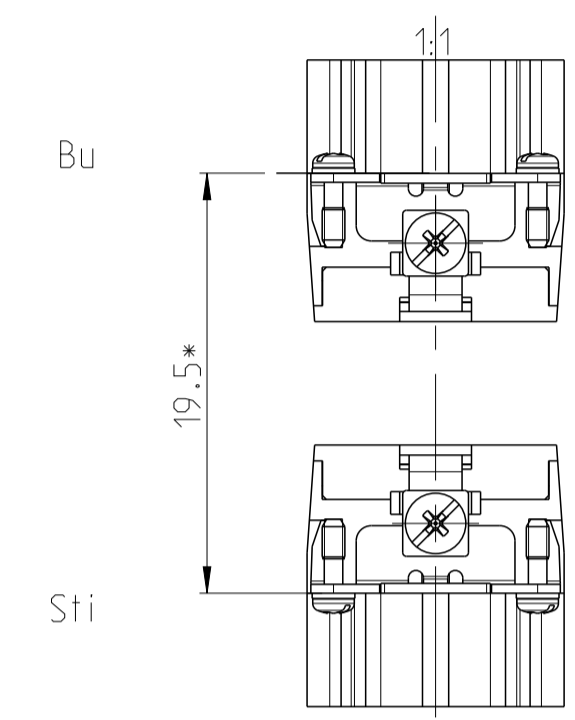
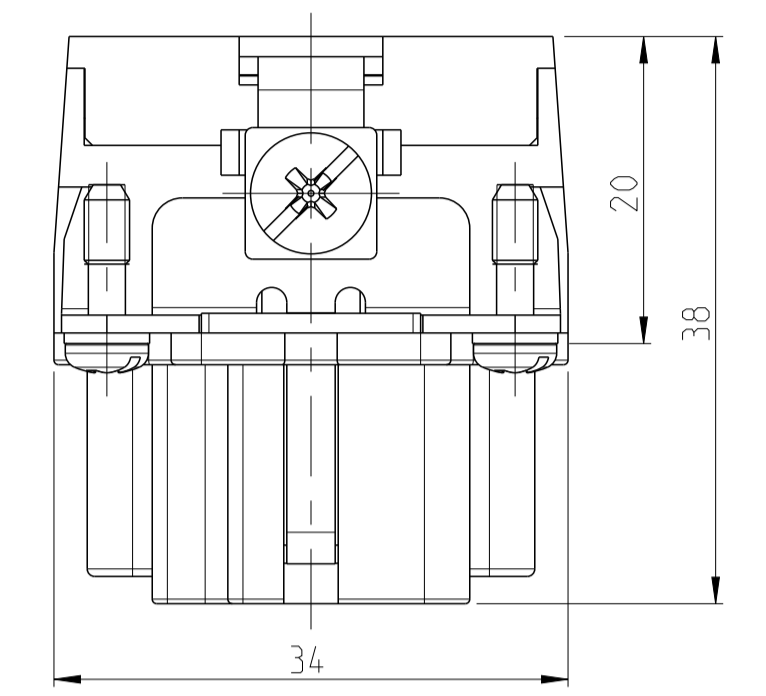
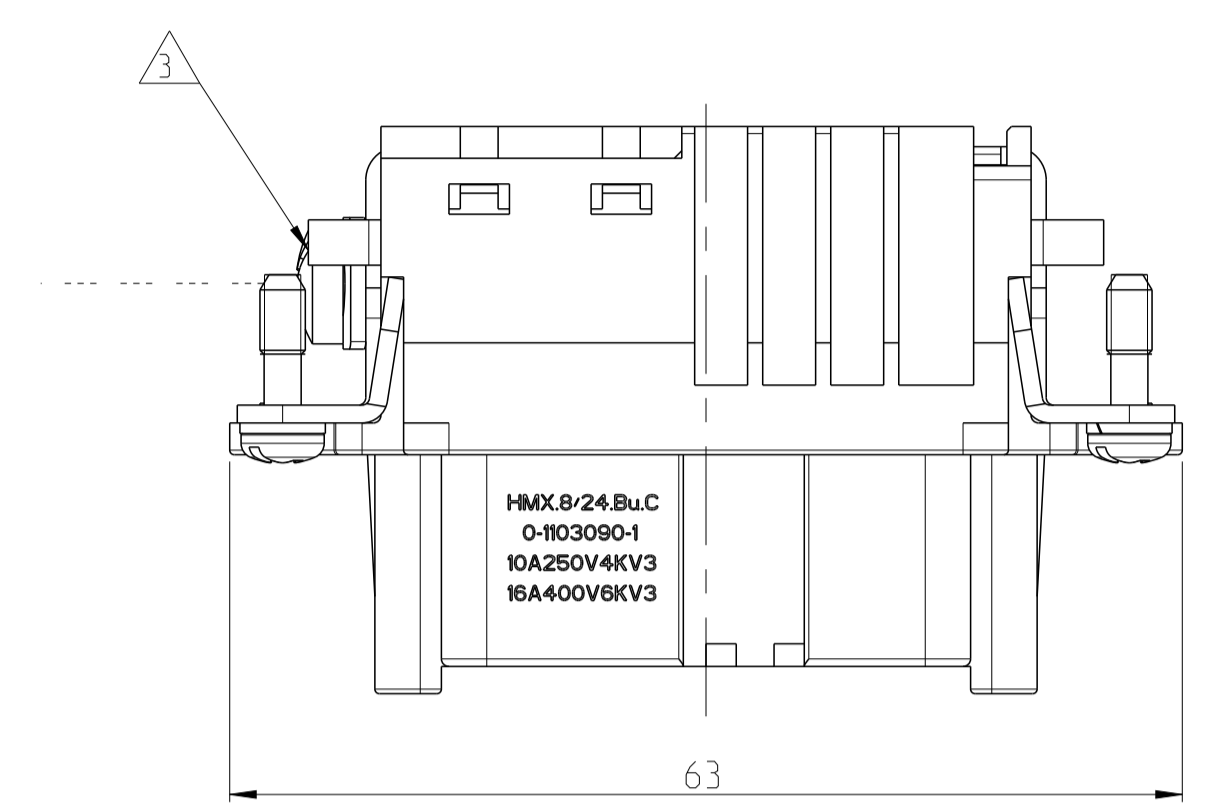


LOC		DIST		REVISIONS			
A1		-		REV	DATE	BY	CHK
C1	ECR-09-026756				05FEB2010	SR	ME
C2	ECR-17-014051				04APR2018	SG	MKO

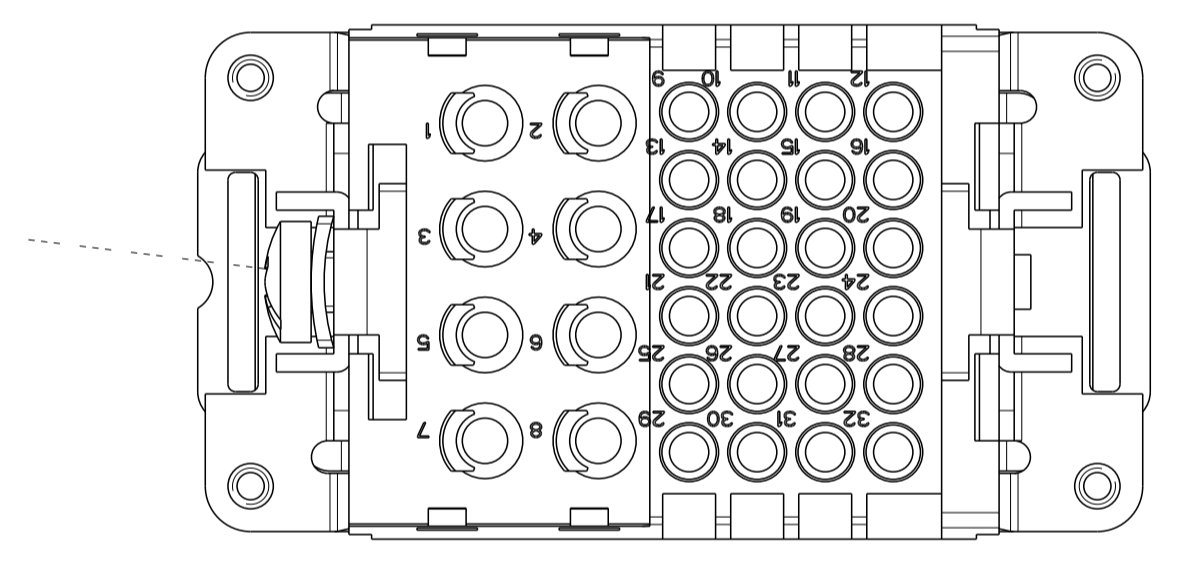
NOTES

- COVER CONTACT : 1 TO 12
 OUTER DIMENSIONS OF INSULATION: MAX. \varnothing 6.5MM
 SIGNAL CONTACT: A AND B
 OUTER DIMENSIONS OF INSULATION: MAX. \varnothing 3.2MM
- SUITABLE HOOD SIZE 6
 SERIES HB, HD, EMV, AND HIP
- GROUNDING CONTACT
- STANDARDS:
 DIN EN 61984; DIN EN 60664-1
- PACKAGING:
 10 PIECES IN A CARTON BOX

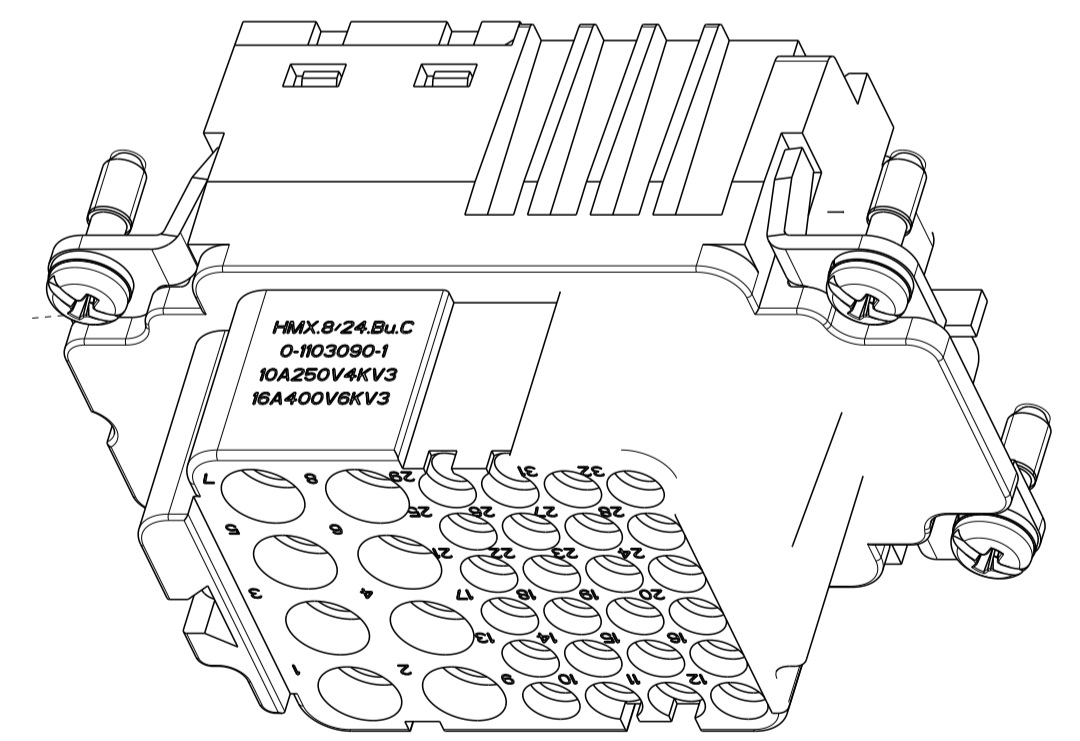
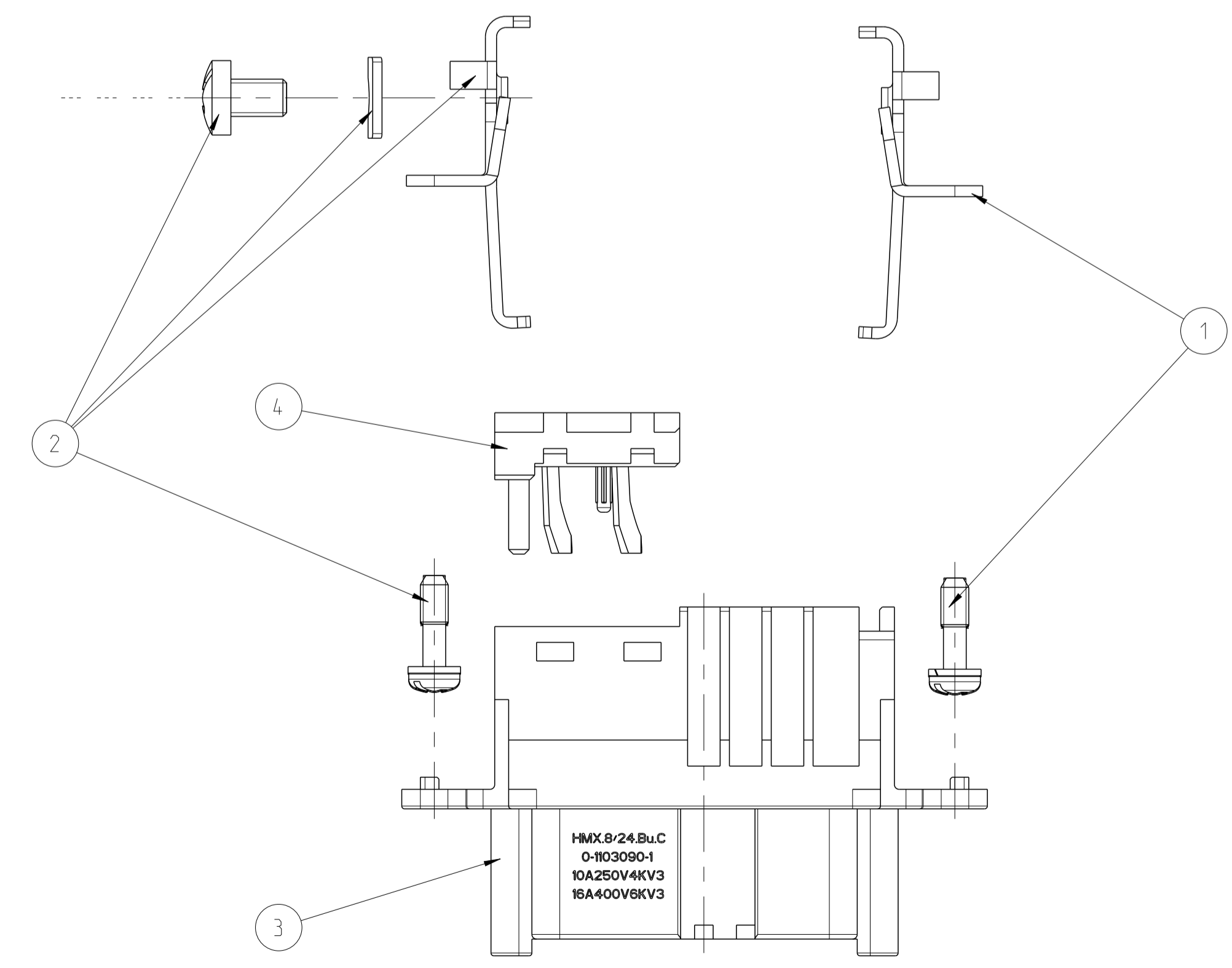
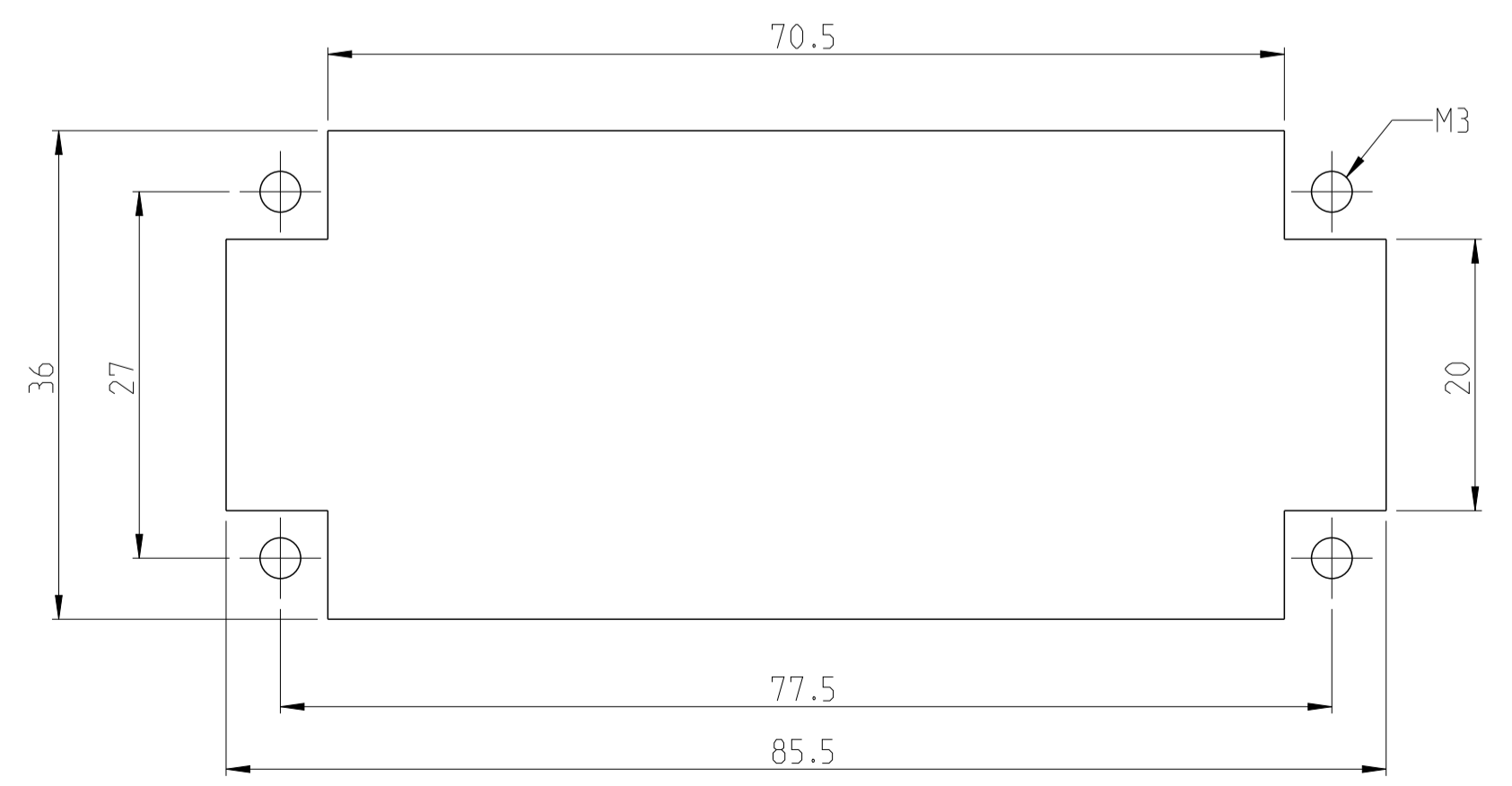


* DISTANCE FOR QUARANTEED CONTACT 21MM MAX.

CONTACT ARRANGEMENT VIEW FROM TERMINATION SIDE



PANEL CUT-OUT FOR CONTACT INSERT WHEN USED WITHOUT HOUSING



SUPERSEDED BY T2100322201-000

QTY	DESCRIPTION	MATERIAL	SURFACE	ITEM
1	COVER	PBT-GF15		4
1	FEMALE INSERT	PBT-GF30		3
1	PROTECTION ANGLE CONTACT SOCKET WITH MOUNTING		ZINK PLATED	2
1	PROTECTION ANGLE CONTACT SOCKET		ZINK PLATED	1
0-1	ORDERING TEXT: HMX.12/2.Bu.C			

THIS DRAWING IS A CONTROLLED DOCUMENT.		DWN: R.SCHNEIDER 05FEB2010			
DIMENSIONS: mm		CHK: T.SCHNURPFEL 05FEB2010			
TOLERANCES UNLESS OTHERWISE SPECIFIED:		APVD: -		NAME: FEMALE INSERT HMX.8/24.BU.C	
0 PLC		-		PRODUCT SPEC: -	
1 PLC		#		APPLICATION SPEC: -	
2 PLC		#		SIZE: A1	
3 PLC		#		CAGE CODE: 00779	
4 PLC		#		DRAWING NO: C=1103090	
ANGLES		#		RESTRICTED TO: -	
FINISH		#		WEIGHT: -	
MATERIAL: -		FINISH: -		CUSTOMER DRAWING: -	
		SCALE: 5:1		SHEET 1 OF 1	
				REV: C2	

单击下面可查看定价，库存，交付和生命周期等信息

[>>TE Connectivity\(泰科\)](#)