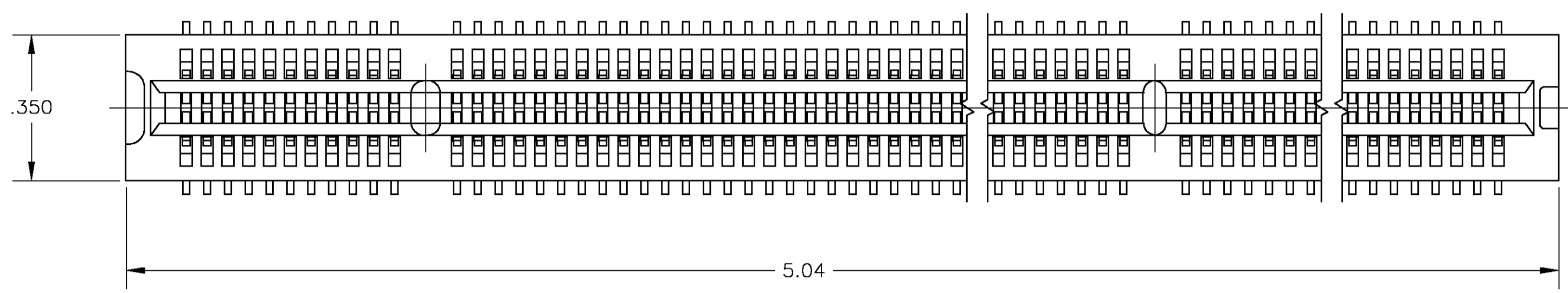
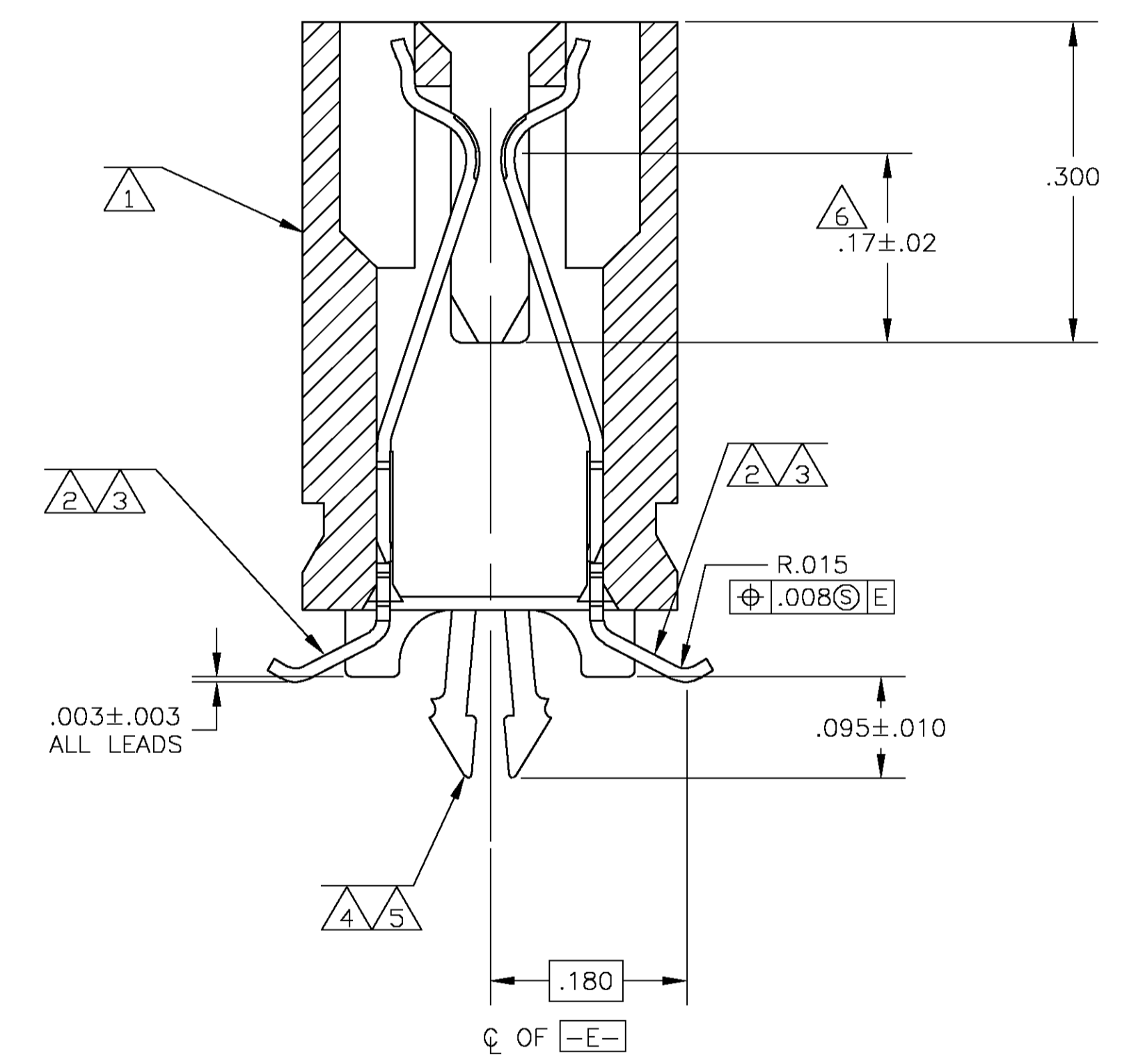
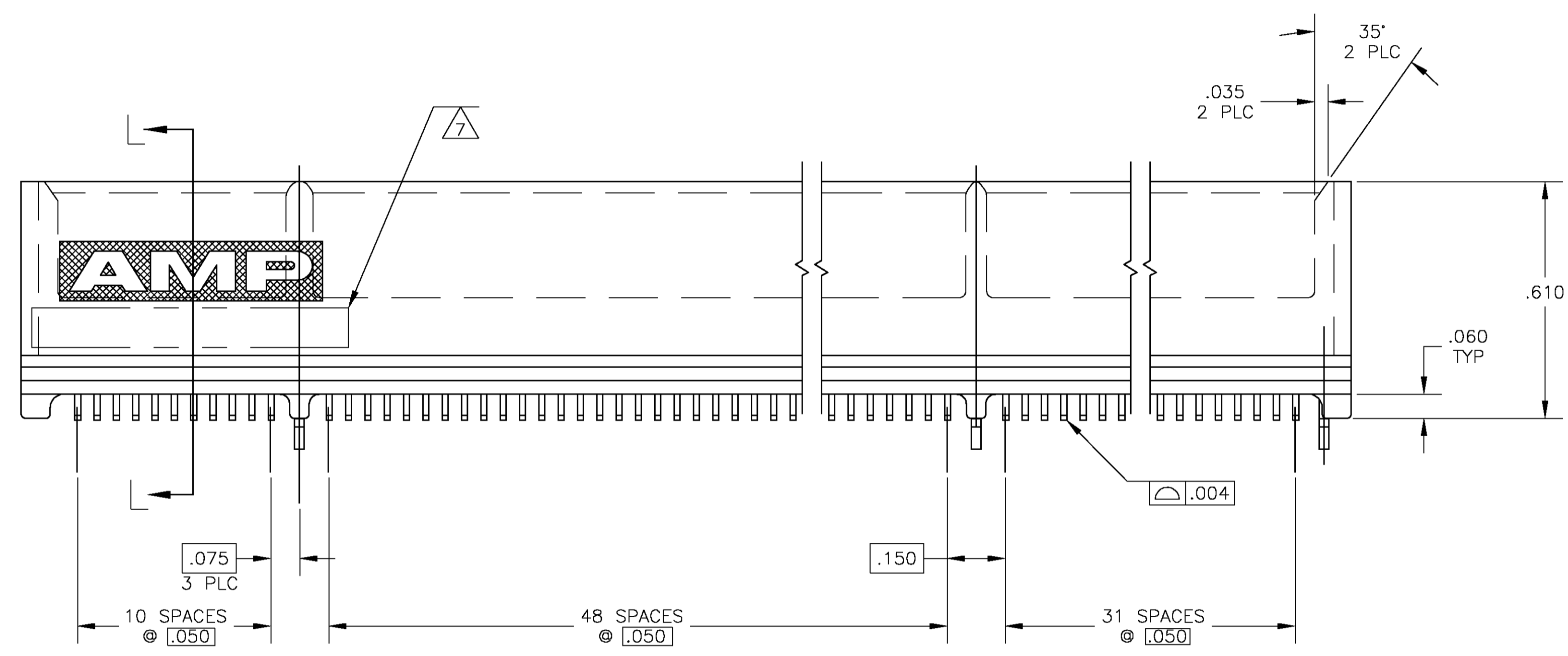


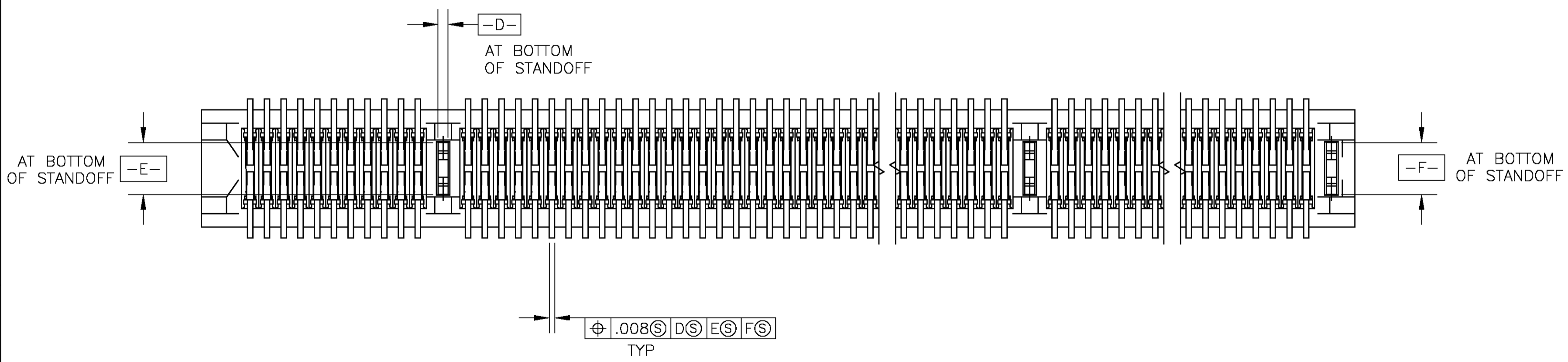
LOC		DIST		REVISONS			
P	LR	DATE	BY	APVD	DATE	BY	APVD
A		RELEASED PER 0512-0287-04			13 SEP 04	AWF	AWF



- ① HOUSING: HIGH TEMPERATURE THERMOPLASTIC.
- ② CONTACT: PHOSPHOR BRONZE.
- ③ CONTACT FINISH: .000100 MIN NICKEL ALL OVER. .000030 MIN GOLD OVER NICKEL IN CONTACT AREA. .000100 MIN MATTE TIN OVER NICKEL ON SOLDER TAILS.
- ④ METAL HOLD DOWN: BRASS
- ⑤ METAL HOLD DOWN FINISH: .000050 MIN NICKEL ALL OVER, .000150 MIN MATTE TIN ALL OVER.
- ⑥ DISTANCE FROM CONTACT POINT TO BOTTOM OF CARD SLOT.
- ⑦ AMP PART NUMBER, DATE CODE AND CSA LOGO MARKED IN APPROXIMATE AREA SHOWN.

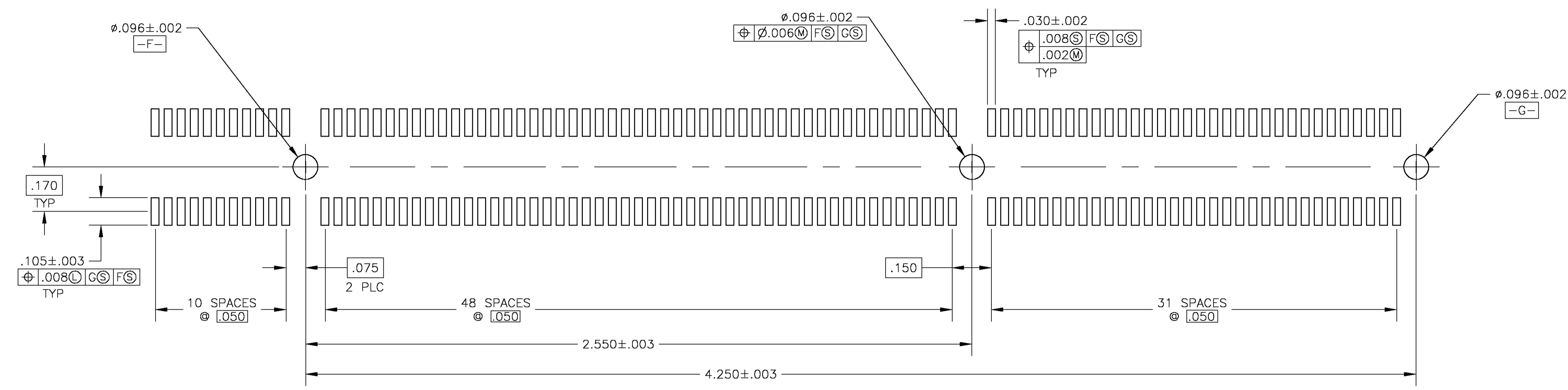


SECTION L-L
SCALE 8:1

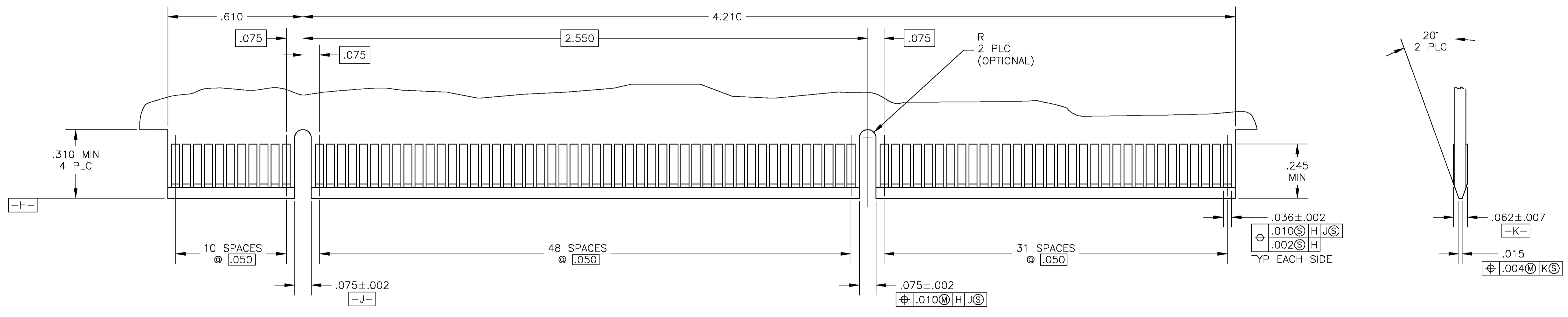


TRAY	6489934-1
PACKAGING	PART NUMBER

THIS DRAWING IS A CONTROLLED DOCUMENT.		DW	AL FRANTUM	20 JAN 05	 Tyco Electronics Corporation Harrisburg, PA 17105-3608
DIMENSIONS: INCHES		CHK	AL FRANTUM	20 JAN 05	
TOLERANCES UNLESS OTHERWISE SPECIFIED:		APVD			NAME
0 PLC	± .-	PRODUCT SPEC		CONNECTOR ASSEMBLY, 92 DUAL POSITION, .050 SERIES, STANDARD EDGE SURFACE MOUNT	
1 PLC	± .-	APPLICATION SPEC		108-14034	
2 PLC	± .01	SIZE	A1	CAGE CODE	00779
3 PLC	± .005	DRAWING NO	6489934		RESTRICTED TO
4 PLC	± .-	WEIGHT	-		-
ANGLES	± .-	CUSTOMER DRAWING	SCALE 4:1		SHEET 1 OF 2
	± .-				REV A



RECOMMENDED CONNECTOR MOUNTING HOLE PATTERN
 (CONNECTOR SIDE SHOWN)



RECOMMENDED MATING BOARD EDGE CONFIGURATION

THIS DRAWING IS A CONTROLLED DOCUMENT.		DNW AL FRANTUM 20 JAN 05		Tyco Electronics Corporation Harrisburg, PA 17105-3608	
DIMENSIONS: INCHES		CHK AL FRANTUM 20 JAN 05		NAME	CONNECTOR ASSEMBLY, 92 DUAL POSITION, .050 SERIES, STANDARD EDGE SURFACE MOUNT
TOLERANCES UNLESS OTHERWISE SPECIFIED:		APVD	PRODUCT SPEC	108-14034	
0 PLC ± -			APPLICATION SPEC		
1 PLC ± -			SIZE	A1	
2 PLC ± .01			WEIGHT	00779	
3 PLC ± .005			CAGE CODE	6489934	
4 PLC ± -			DRAWING NO	6489934	
ANGLES ± ± Z			RESTRICTED TO	-	
FINISH			CUSTOMER DRAWING	SCALE 4:1 SHEET 2 OF 2 REV A	

单击下面可查看定价，库存，交付和生命周期等信息

[>>TE Connectivity\(泰科\)](#)