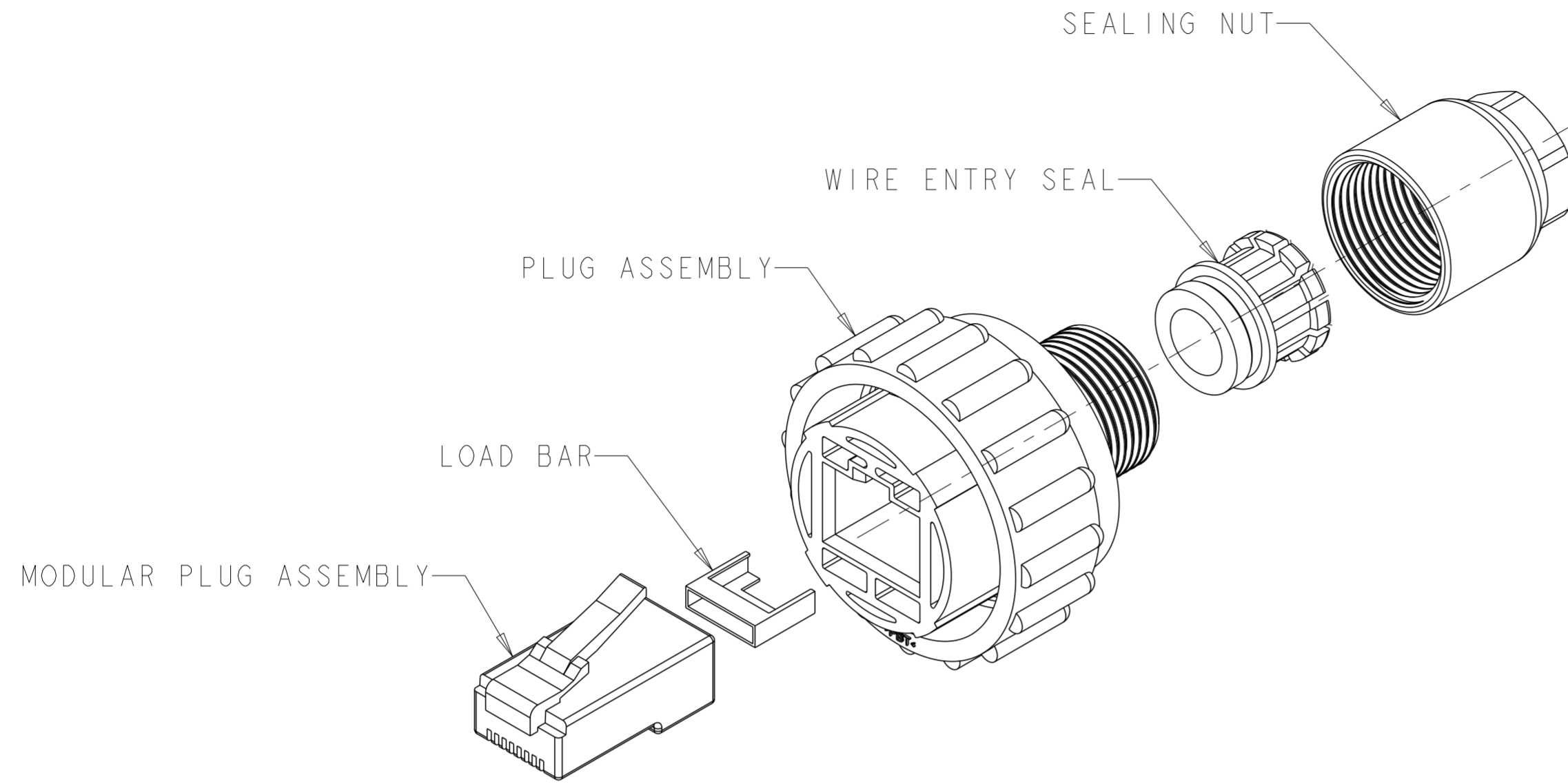
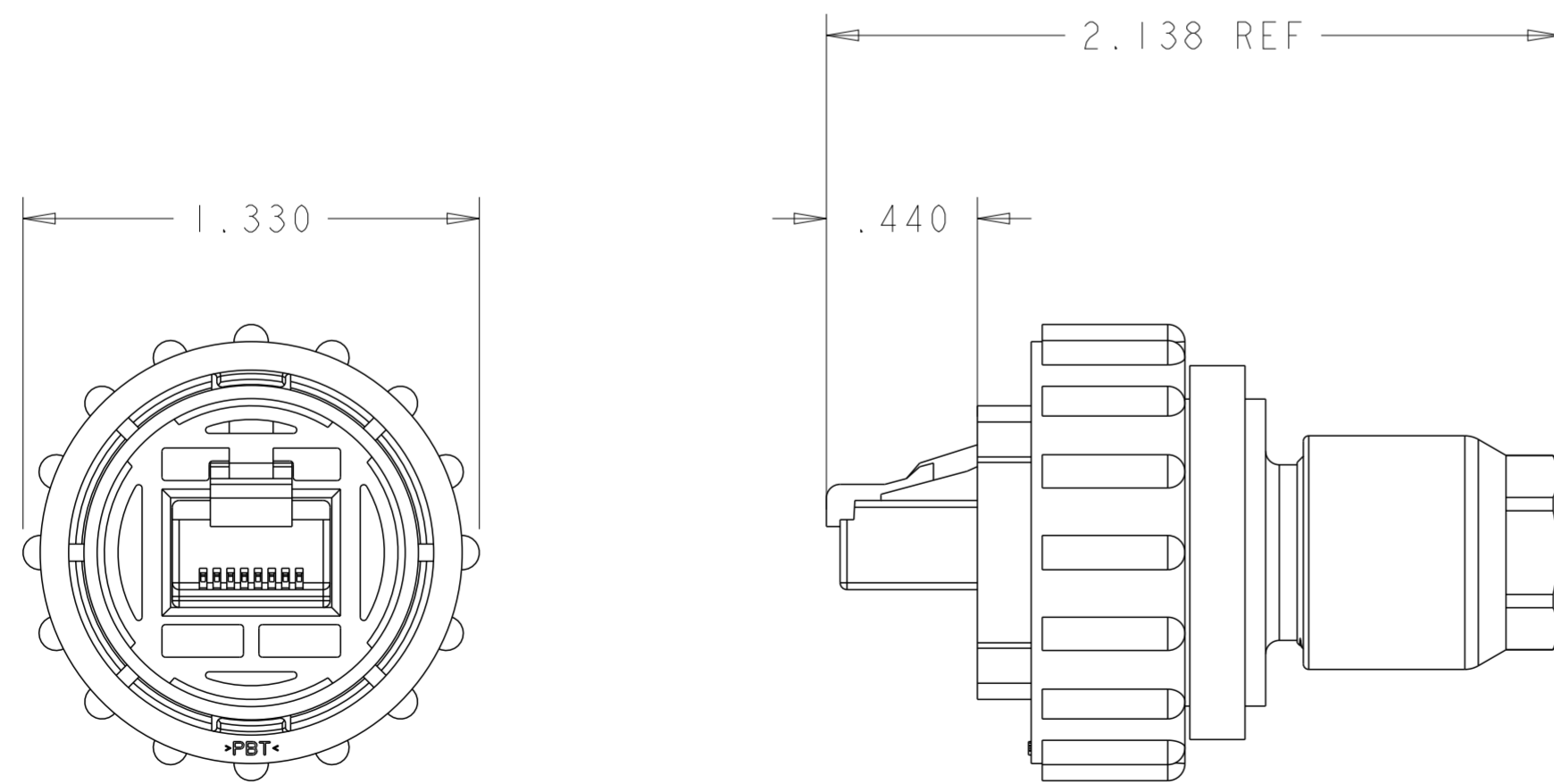


THIS DRAWING IS UNPUBLISHED. RELEASED FOR PUBLICATION 20
 © COPYRIGHT 20 BY - ALL RIGHTS RESERVED.

REVISIONS				
P	LTR	DESCRIPTION	DATE	APVD
C		REVISED PER ECO-14-010700	28OCT2014	NK MB




- 1 PARTS PACKAGED UNASSEMBLED.
- 2 CABLE DIAMETER RANGE: .180[4.6]-.236[6.0].



ASSEMBLED VIEW

STRANDED	1546876-2
SOLID	1546876-1
WIRE TYPE	PART NUMBER

THIS DRAWING IS A CONTROLLED DOCUMENT.		DWN S. WELDON 08MAR2004	 TE Connectivity				
DIMENSIONS: INCHES		CHK H. WAKEEM 08MAR2004					
TOLERANCES UNLESS OTHERWISE SPECIFIED:		APVD H. WAKEEM 08MAR2004					
0 PLC ± 1 PLC ±0.1 2 PLC ±0.02 3 PLC ±0.005 4 PLC ±0.0005 ANGLES ± FINISH -		NAME PLUG KIT, UNASSEMBLED, UNSHIELDED, CPC INDUSTRIAL ETHERNET					
MATERIAL	-	PRODUCT SPEC -	APPLICATION SPEC 114-13137	SIZE A2	CAGE CODE 00779	DRAWING NO C-1546876	RESTRICTED TO -
CUSTOMER DRAWING		WEIGHT -	SCALE 2:1	SHEET 1	OF 1	REV C	

单击下面可查看定价，库存，交付和生命周期等信息

[>>TE Connectivity\(泰科\)](#)