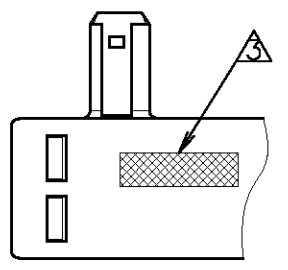
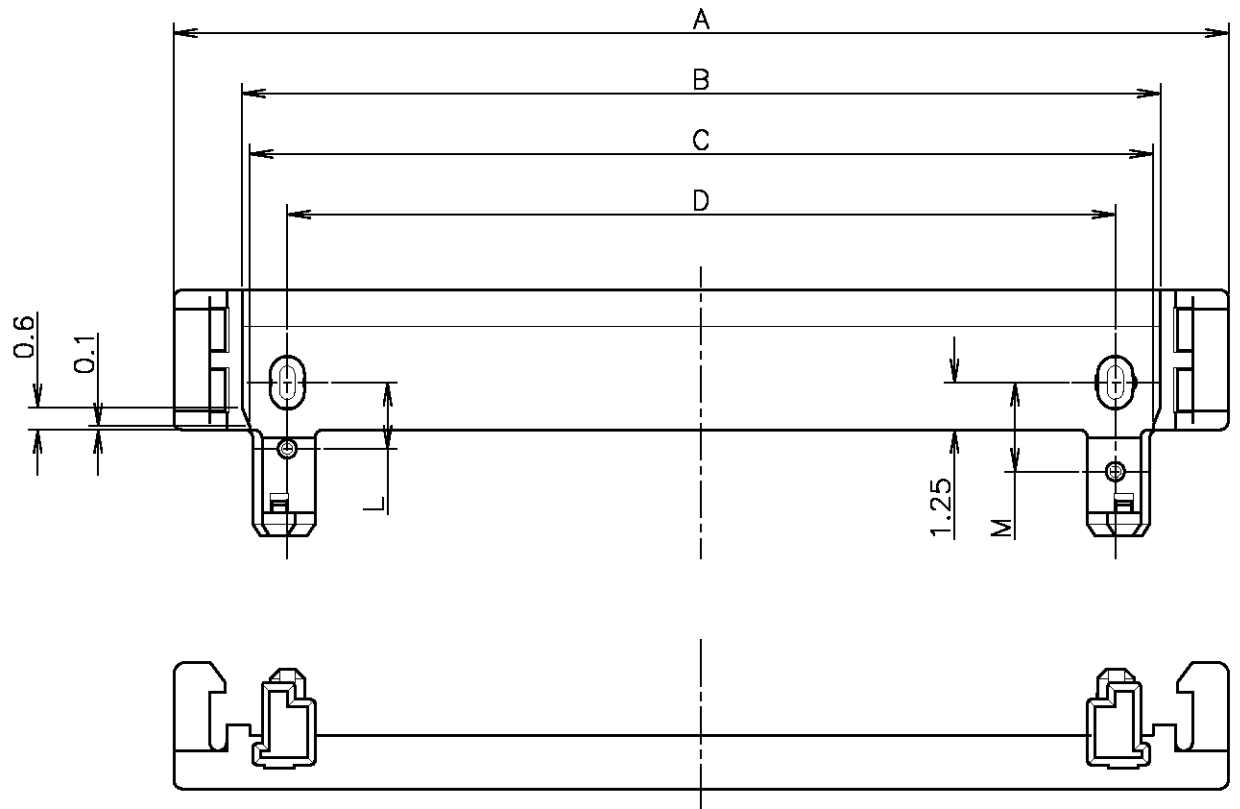
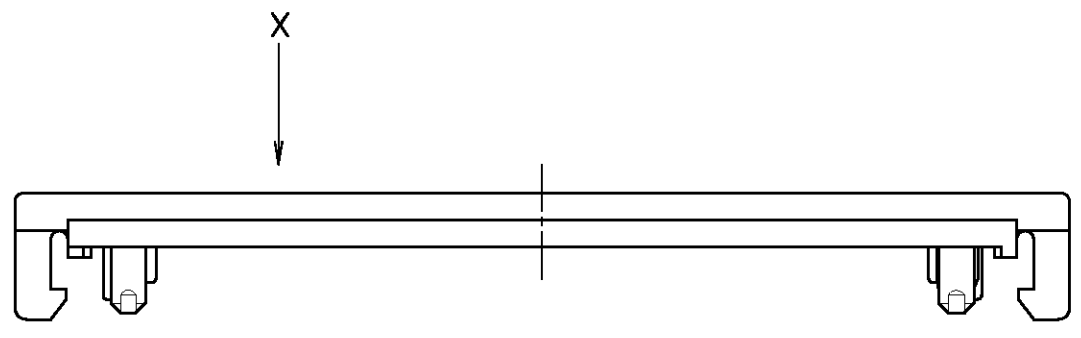


THIS DRAWING IS UNPUBLISHED. RELEASED FOR PUBLICATION  
 © COPYRIGHT - By - ALL RIGHTS RESERVED.

LOC	DIST	REVISIONS					
J		P	LTR	DESCRIPTION	DATE	DWN	APVD
		D		REVISED PER ECR-11-002357	05MAY11	TT	TM



VIEW X



NOTE  
 1 GENERAL TOLERANCE : ±0.3, ±3°  
 MATERIAL  
 PBT(GRAY, BLACK)  
 tyco MARK

①	BLACK	1.75	2.35	21.9	23.9	24.3	27.9	40	1871338-7	COVER A-40 REVERSE TYPE	
①	OBSOLETE	BLACK	2.35	1.75	21.9	23.9	24.3	27.9	40	1871338-6	COVER A-40 NORMAL TYPE
		BLACK	2.35	1.75	41.9	43.9	44.3	47.9	80	1871338-5	COVER A-80 NORMAL TYPE
①	OBSOLETE	BLACK	1.75	2.35	21.9	23.9	24.3	27.9	40	1871338-3	COVER A-40 REVERSE TYPE
		GRAY	2.35	1.75	41.9	43.9	44.3	47.9	80	1871338-2	COVER A-80 NORMAL TYPE
		GRAY	2.35	1.75	21.9	23.9	24.3	27.9	40	1871338-1	COVER A-40 NORMAL TYPE
	COLOR	M	L	D	C	B	A	POS	PART NUMBER	NAME	

1871338-1, -2, -3, -6, -7 : AS SHOWN

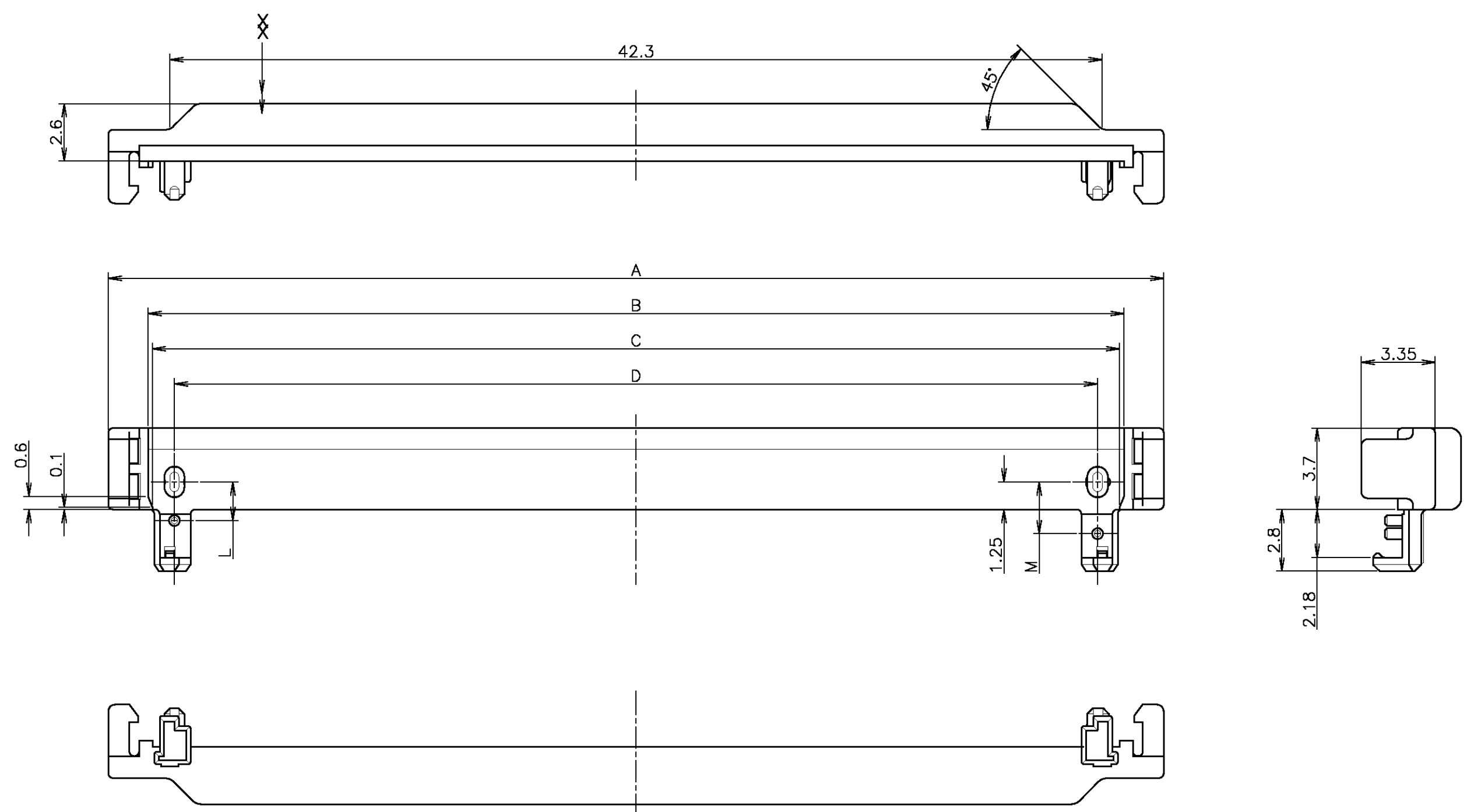
THIS DRAWING IS A CONTROLLED DOCUMENT.

DIMENSIONS: 単位: 耗 mm	TOLERANCES UNLESS OTHERWISE SPECIFIED: 一般公差	DWN T. SEKINE 29NOV05	TE Connectivity
	0 PLC ±	CHK T. FUTATSUGI 29NOV05	
	1 PLC ±	APVD Y. YAMAMOTO 29NOV05	
	2 PLC ±	NAME Y. YAMAMOTO	
3 PLC ±	PRODUCT SPEC 製品規格 108-78322	NAME Y. YAMAMOTO	FFC EASY MATING CONNECTOR, 0.5mm PITCH COVER A
4 PLC ±	FINISH 仕上	APPLICATION SPEC 取付適用規格 411-78220	SIZE A3
MATERIAL 材料		WEIGHT	CAGE CODE 00779
			DRAWING NO 番号 C-1871338
			RESTRICTED TO
			SCALE 尺度 5:1
			SHEET 1 OF 3
			REV D

CUSTOMER DRAWING

THIS DRAWING IS UNPUBLISHED. RELEASED FOR PUBLICATION  
 © COPYRIGHT - By - ALL RIGHTS RESERVED.

LOC J	DIST	REVISIONS 変更		
P	LTR	DESCRIPTION	DATE	APVD
-	-	SEE SHEET 1	-	-

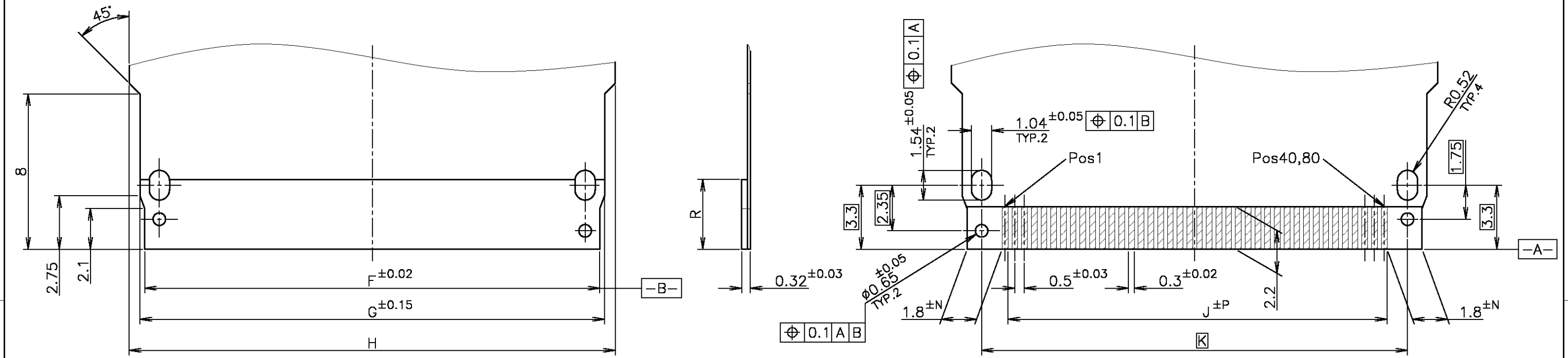


1871338-5 : AS SHOWN

THIS DRAWING IS A CONTROLLED DOCUMENT.		DWN	<b>STE</b> TE Connectivity	
DIMENSIONS: 単位: 耗 mm		CHK		
TOLERANCES UNLESS OTHERWISE SPECIFIED: 一般公差		APVD	NAME 名称 FFC EASY MATING CONNECTOR,0.5mm PITCH COVER A	
0 PLC ±		PRODUCT SPEC 製品規格	SIZE	
1 PLC ±		APPLICATION SPEC 取付適用規格	CAGE CODE	DRAWING NO 番号
2 PLC ±		WEIGHT	A3	00779
3 PLC ±		CUSTOMER DRAWING	C-1871338	
4 PLC ±		SCALE 尺度	RESTRICTED TO	
ANGLES ±		5:1	SHEET	
FINISH 仕上		2 OF 3		REV
MATERIAL 材料		D		

THIS DRAWING IS UNPUBLISHED. RELEASED FOR PUBLICATION  
 © COPYRIGHT - By - ALL RIGHTS RESERVED.

LOC	DIST	REVISIONS			DATE	DWN	APVD
J		P	LTR	DESCRIPTION			
		-		SEE SHEET 1	-	-	-



FFC DIMENSION

FINISH	R	P	N	K	J	H	G	F	POS
Ni UNDER PLATE	2.75MIN	0.05	0.07	21.9	19.5	25	23.9	23.4	40
Au PLATE	3.6±0.85	0.06	0.06	41.9	39.5	45	43.9	43.4	80

THIS DRAWING IS A CONTROLLED DOCUMENT.		DWN		TE Connectivity	
DIMENSIONS: 单位: 耗 mm		CHK			
TOLERANCES UNLESS OTHERWISE SPECIFIED: 一般公差		APVD		NAME 名称	
0 PLC ± 1 PLC ± 2 PLC ± 3 PLC ± 4 PLC ± ANGLES ±		PRODUCT SPEC 製品規格		FFC EASY MATING CONNECTOR,0.5mm PITCH COVER A	
MATERIAL 材料		APPLICATION SPEC 取付適用規格		SIZE	
FINISH 仕上		WEIGHT		CAGE CODE	
		CUSTOMER DRAWING		DRAWING NO 番号	
				A3 00779 C-1871338	
				RESTRICTED TO	
				SCALE 尺度 5:1	
				SHEET 3 OF 3	
				REV D	

单击下面可查看定价，库存，交付和生命周期等信息

[>>TE Connectivity\(泰科\)](#)