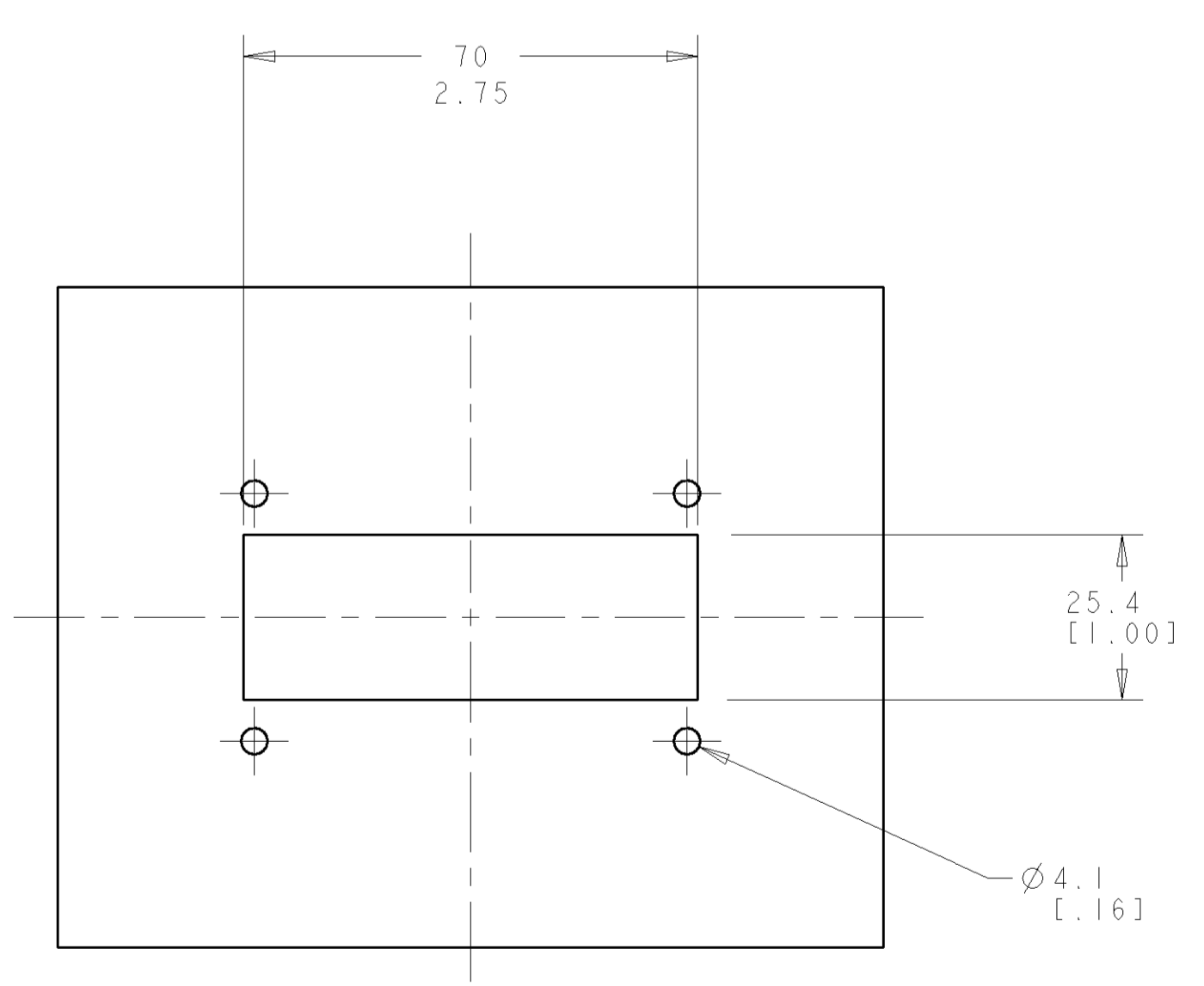
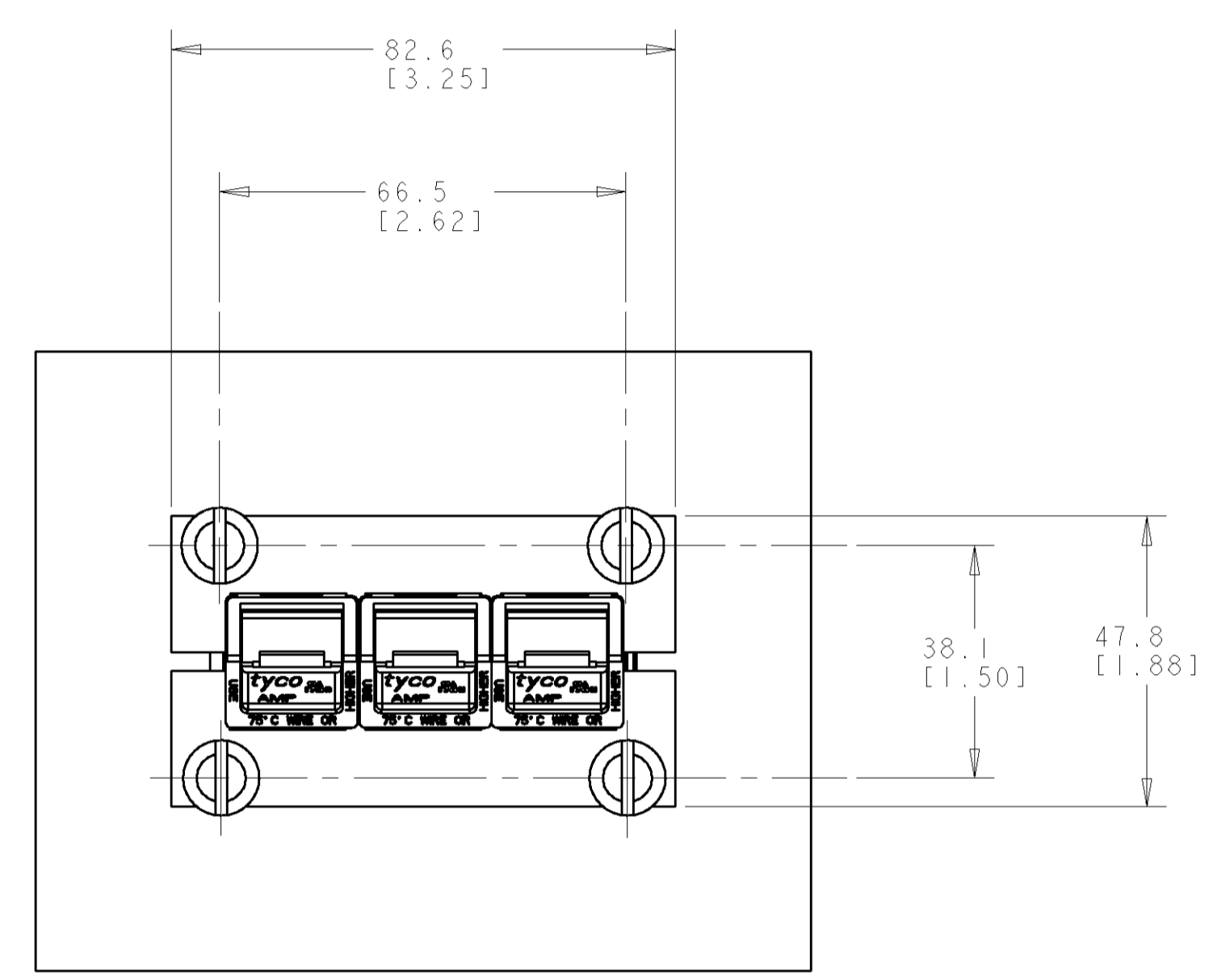
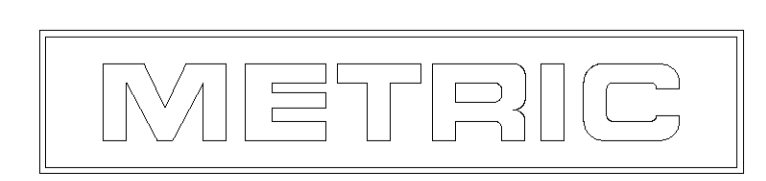
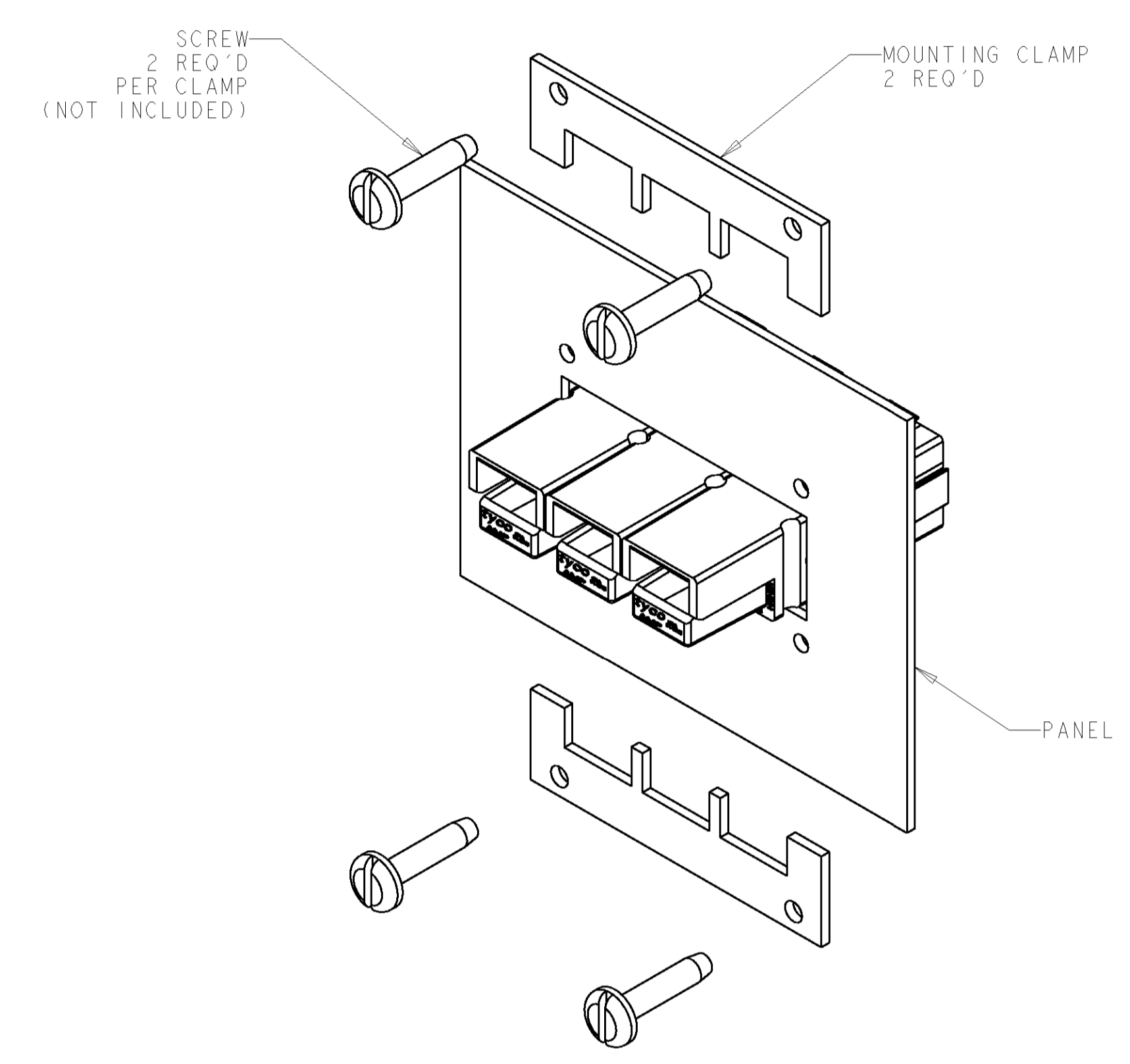


REVISONS		DATE	BY	APP'D
P	LTR	DESCRIPTION		
-1		PRE-RELEASED	14JAN2003	KW JE
0		REVISED PER 0638-0595-03	16JAN06	KW JE

1. MOUNTING CLAMPS SOLD IN PAIRS, SCREWS NOT INCLUDED.



PANEL CUTOUT DIMENSIONS



1 BOX	647722-2
1 PAIR	647722-1
QTY / UNIT OF MEASUREMENT	PART NUMBER

<small>THIS DRAWING IS UNPUBLISHED. RELEASED FOR PUBLICATION. ALL RIGHTS RESERVED. THIS DRAWING IS THE PROPERTY OF TYCO ELECTRONICS CORPORATION. IT IS TO BE USED ONLY FOR THE SPECIFIC ORGANIZATION AND FOR THE PROJECT INTENDED. IT IS NOT TO BE REPRODUCED OR TRANSMITTED IN ANY FORM OR BY ANY MEANS, ELECTRONIC OR MECHANICAL, INCLUDING PHOTOCOPYING, RECORDING, OR BY ANY INFORMATION STORAGE AND RETRIEVAL SYSTEM, WITHOUT PERMISSION IN WRITING FROM TYCO ELECTRONICS CORPORATION.</small>		DWN: B. WHITAKER CHK: J. ELLIS APP'D: J. ELLIS	14JAN2003 14JAN2003 14JAN2003	tyco Electronics Tyco Electronics Harrisburg, PA 17105-3608
DIMENSIONS: mm [INCHES]		TOLERANCES UNLESS OTHERWISE SPECIFIED: 0 PLC ± 1 PLC ±0.5 [0.02] 2 PLC ± 3 PLC ± 4 PLC ± ANGLES ±		NAME: AMP POWER SERIES 120, MOUNTING CLAMP, 3 POLE
MATERIAL: AL 2.3 [0.09] THK		FINISH: -		SIZE: A 00779 C=647722 SCALE: 1:1 SHEET 1 OF 1 REV 0
CUSTOMER DRAWING		RESTRICTED TO		

单击下面可查看定价，库存，交付和生命周期等信息

[>>TE Connectivity\(泰科\)](#)