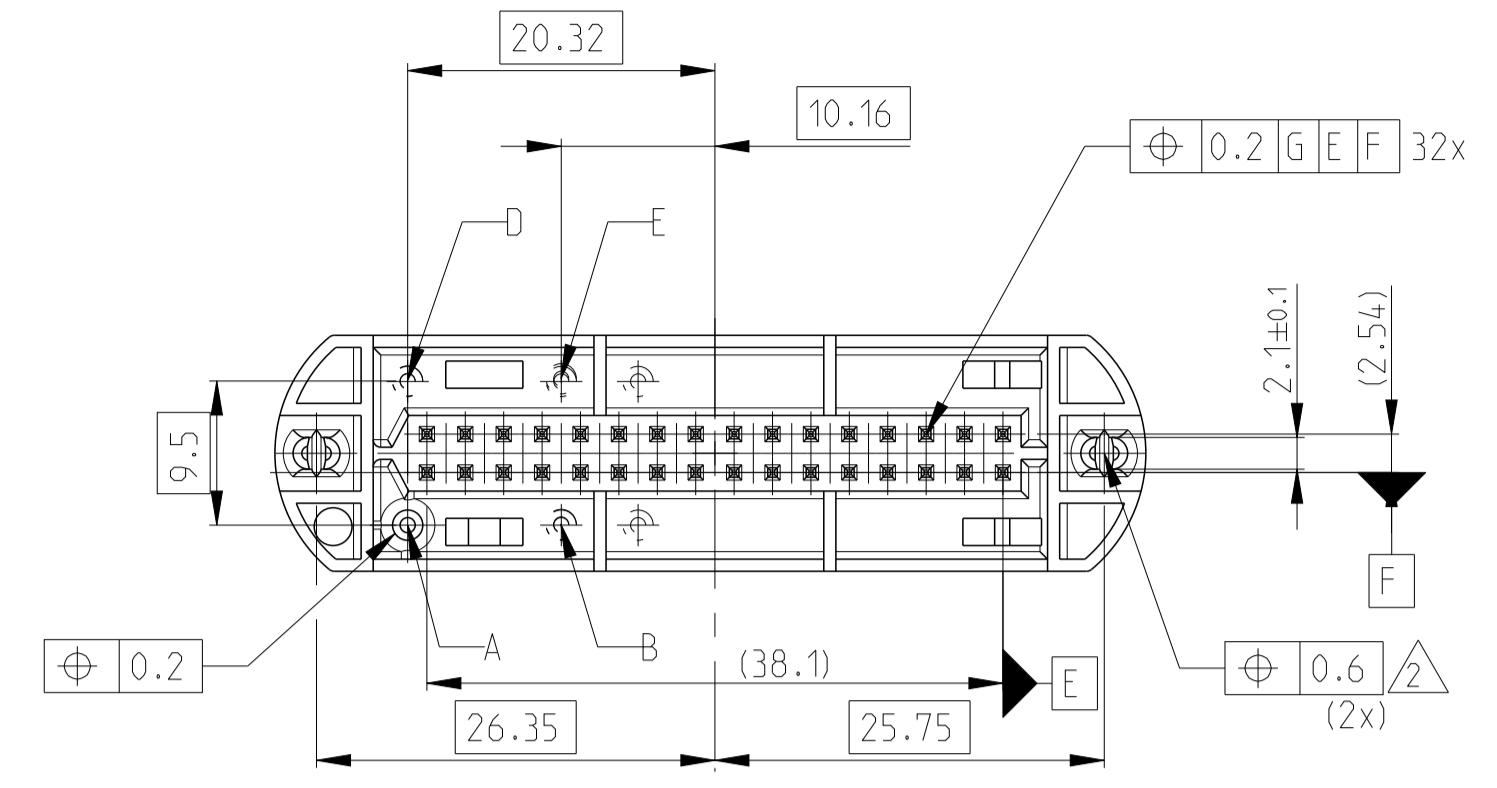
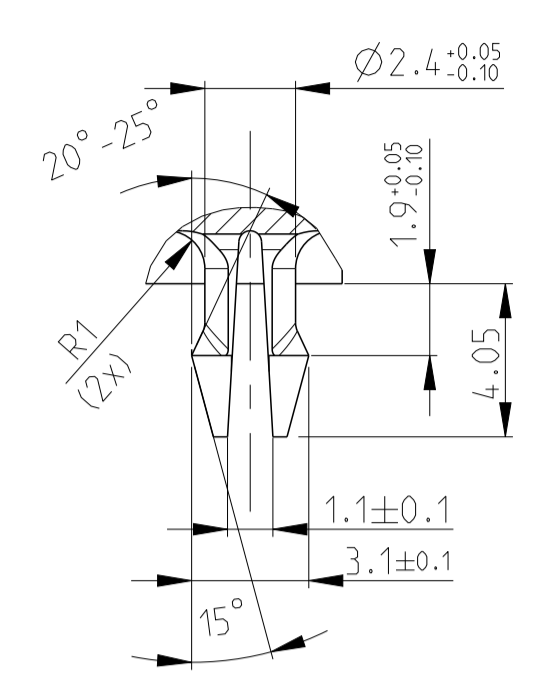


LOC	DIST	REVISIONS			
P	LTN	DESCRIPTION	DATE	DMN	APVD
A		RELEASE	30JUN11	E.X	I.Y
A1		ECR-11-015805	01AUG11	E.X	I.Y
A2		ECR-13-012747	12AUG13	X.L	I.Y
A3		ECR-19-013351	22AUG19	E.L	W.W

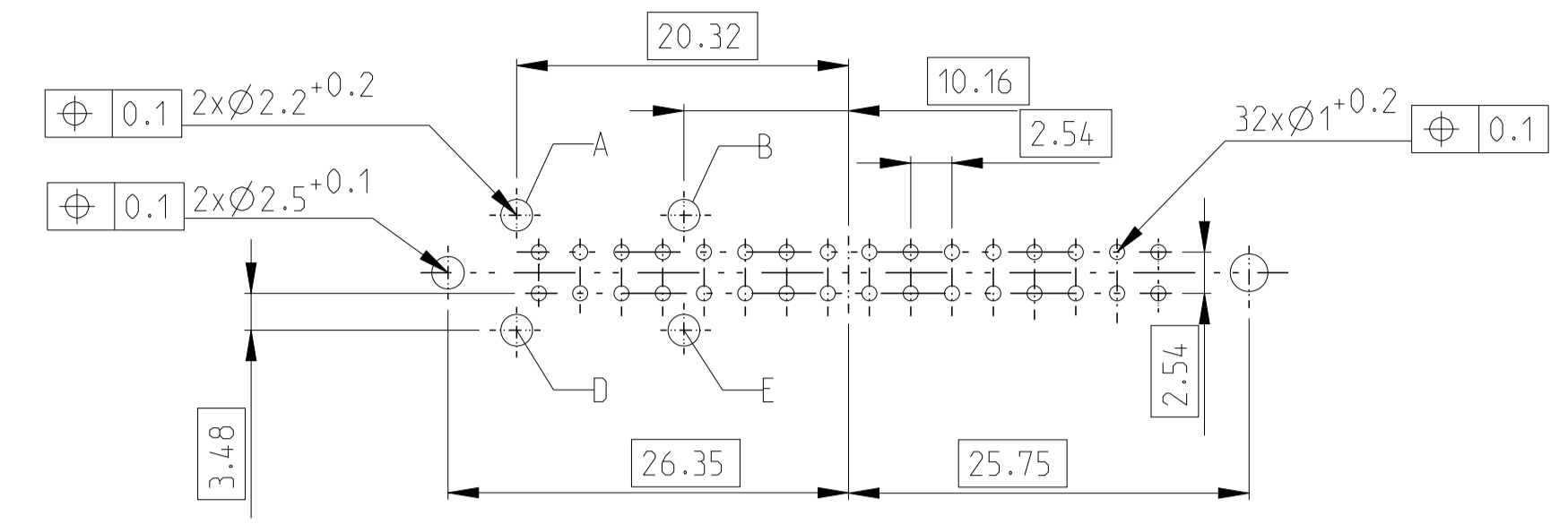
CODING A-F. SOLDER SIDE



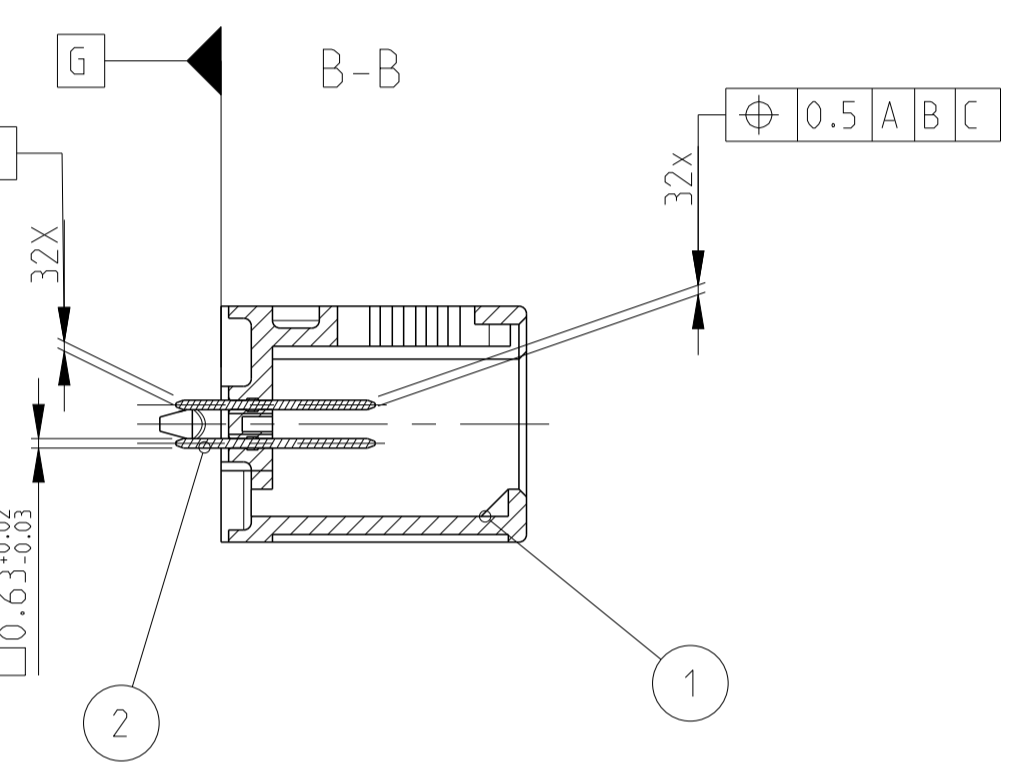
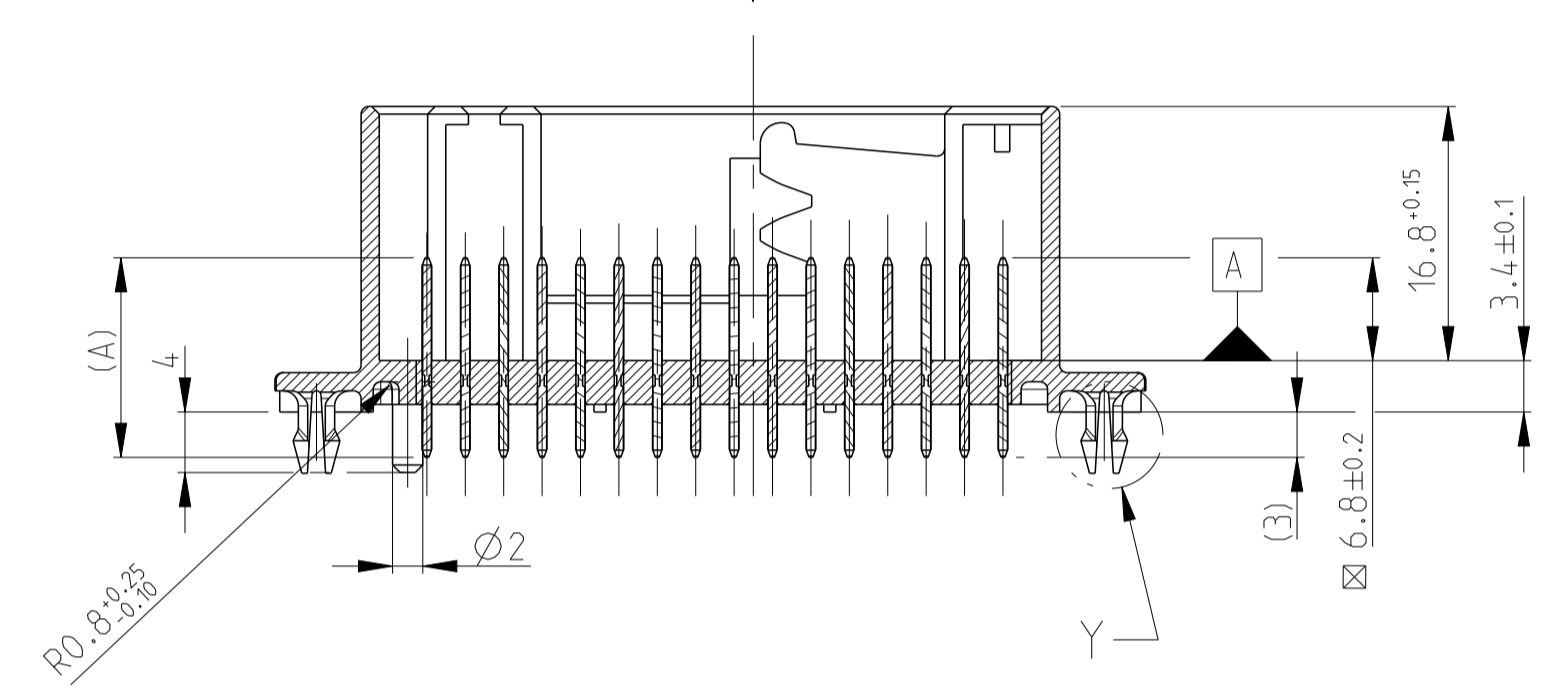
DETAIL "Y"



PCB LAYOUT

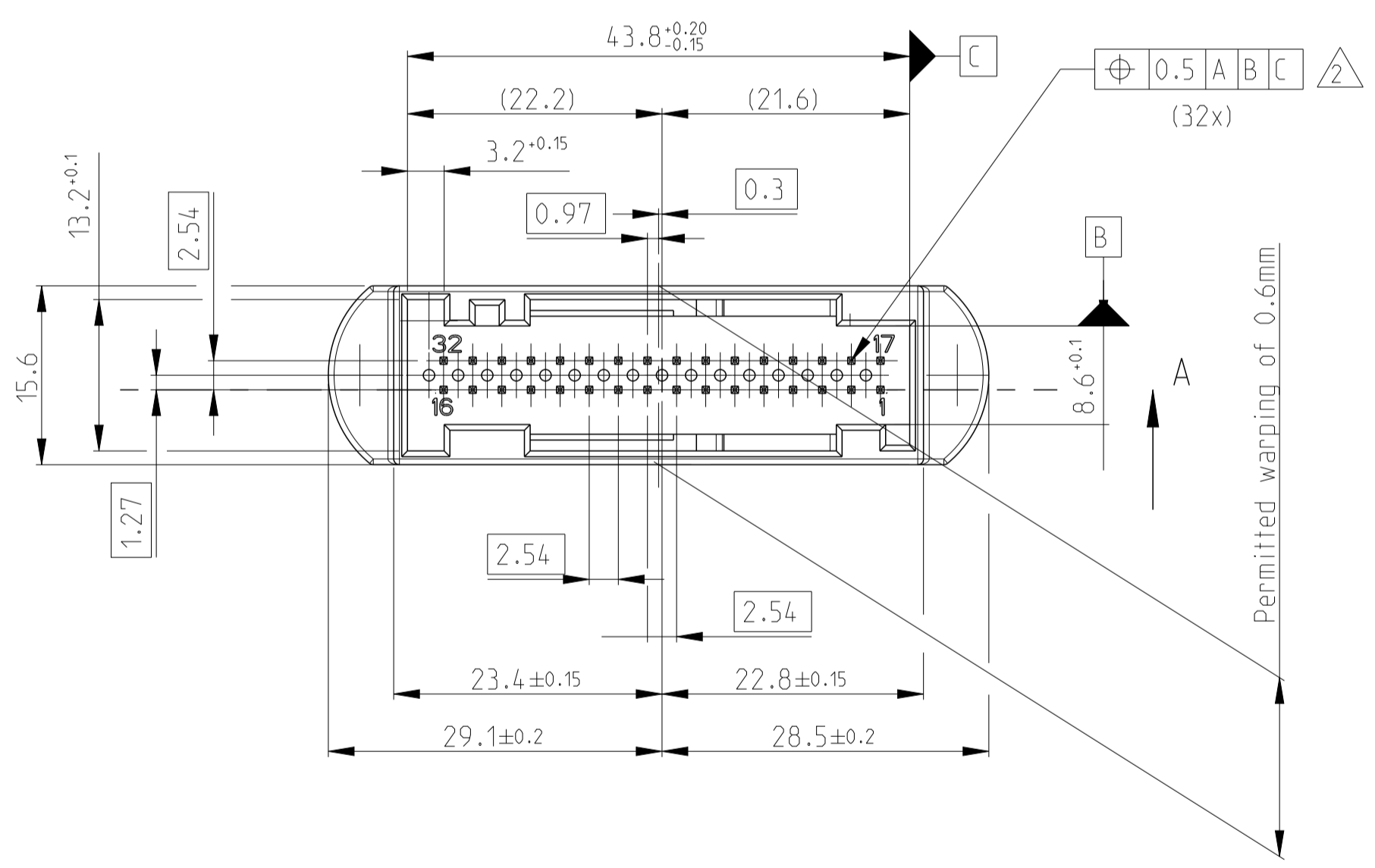


SECTION A-A

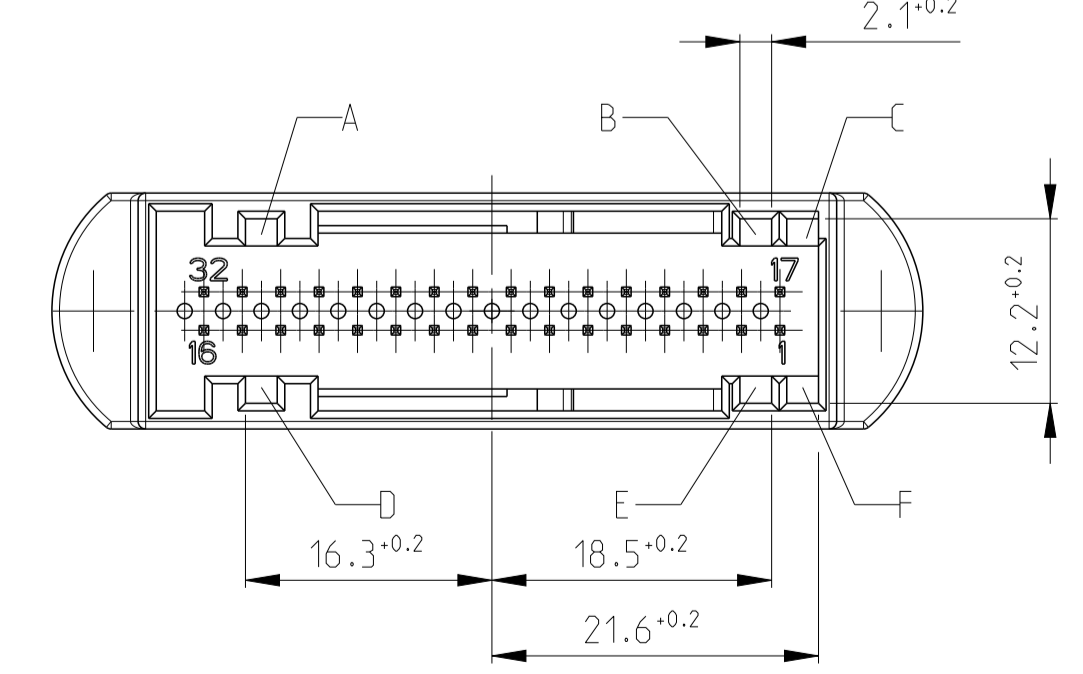


NOTES:

- THE EXECUTION OF THE PRINTED CIRCUIT BOARD CODING AND THE CODING SLOTS, SEE TABLE
- FORM- AND POSITION TOLERANCE; "POSITION" IS VALID ONLY FOR THE APPROPRIATED POINTS
- SURFACE: TIN PLATING 2.0 µm - 4.0 µm (PER FINISH SPEC 112-16-2) OVER 1.27 µm - 2.2 µm NICKEL (PER FINISH SPEC 112-42-3) / ELECTRO PLATED, MAT
- MATING PARTS SEE TE P/N2050723-X
- ELECTRICAL CONTRAL. OPEN CIRCUIT. SHORT CIRCUIT
- SYMBOL ■ DIMENSION IS SIGNIFICANT CHARACTERISTIC  
 SYMBOL ☒ DIMENSION IS MAJOR CHARACTERISTIC



VIEW "X"  
 ALL CODING SHOWN, MATING SIDE



CODING	DIM. A	MATING SIDE	SOLDER SIDE	CODING				
				SIZE	POS	QTY	DESCRIPTION	
X	X	2	32	AMPMODU MODU II PIN	0.63	A	CuZn30	TIN PLATING
X	X	1	1	32P PIN HEADER HOUSING	A	PBT-GF15	BLUE	5012
X	X	1	1	32P PIN HEADER HOUSING	A	PBT-GF15	GREEN	6018
-2	-1	POS	QTY	DESCRIPTION	Rev	MATERIAL	SURFACE	RAL

DIMENSIONS: mm 	TOLERANCES UNLESS OTHERWISE SPECIFIED: IN. DIM 1991-150 0 PLC ± 1 PLC ± 2 PLC ± 3 PLC ± 4 PLC ± ANGLES ± FINISH ±	DWN E.XU 30JUN2011 CHK R.DONG 30JUN2011 APVD L.YIN 30JUN2011 NAME PRODUCT SPEC APPLICATION SPEC WEIGHT CUSTOMER DRAWING	TE Connectivity Shanghai China AMPMODU MODU II PIN HEADER, ASSY. 2X16 POS. SIZE CAGE CODE DRAWING NO A I C=2137614 SCALE 2:1 SHEET 1 OF 1 REV A3
-----------------------	---	--	---

单击下面可查看定价，库存，交付和生命周期等信息

[>>TE Connectivity\(泰科\)](#)