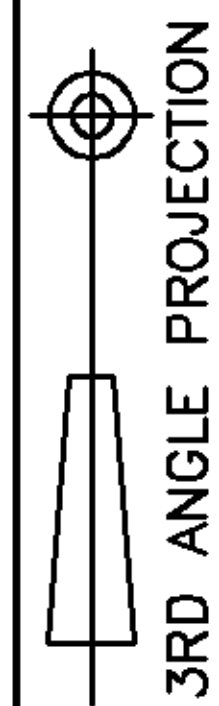
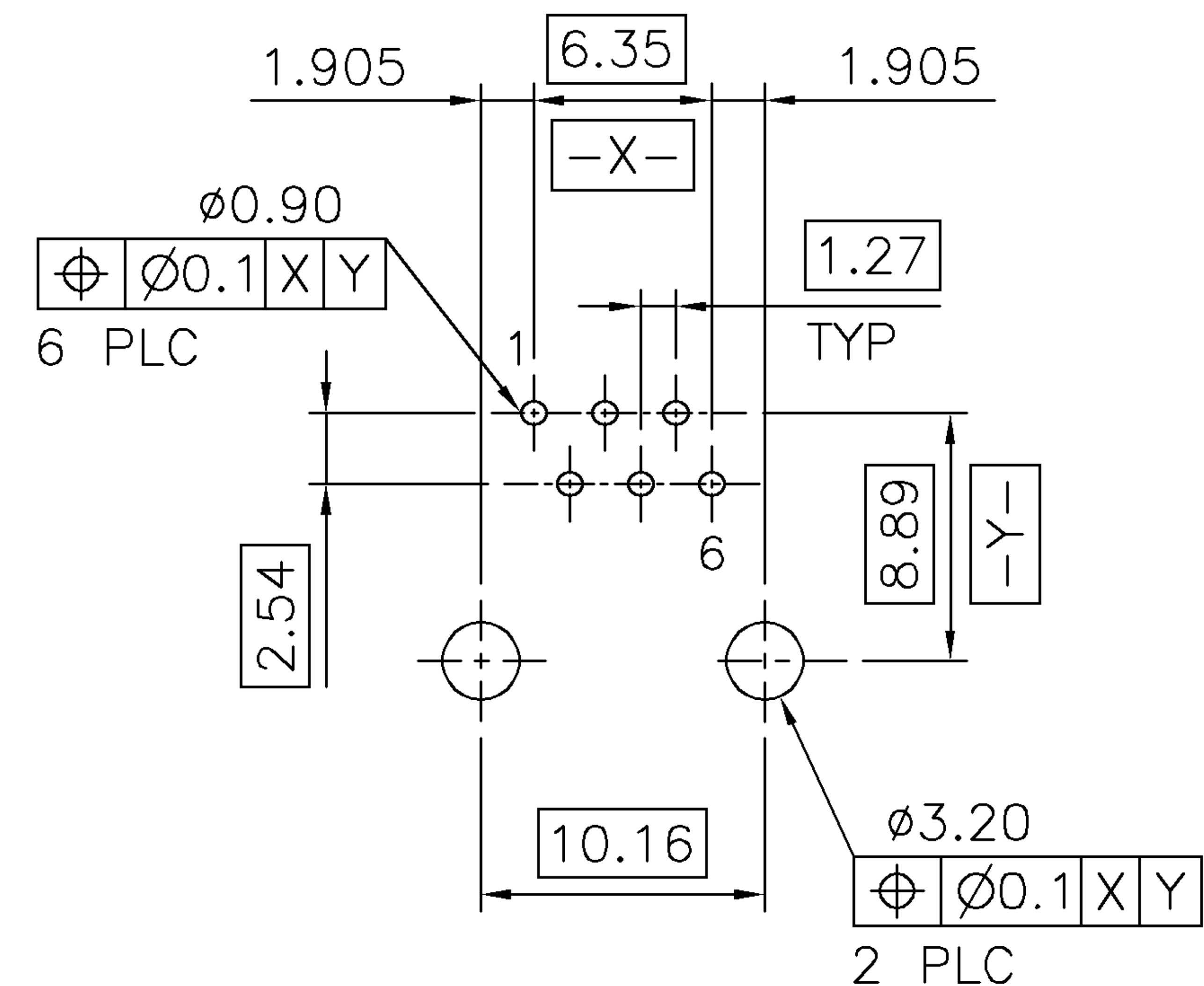
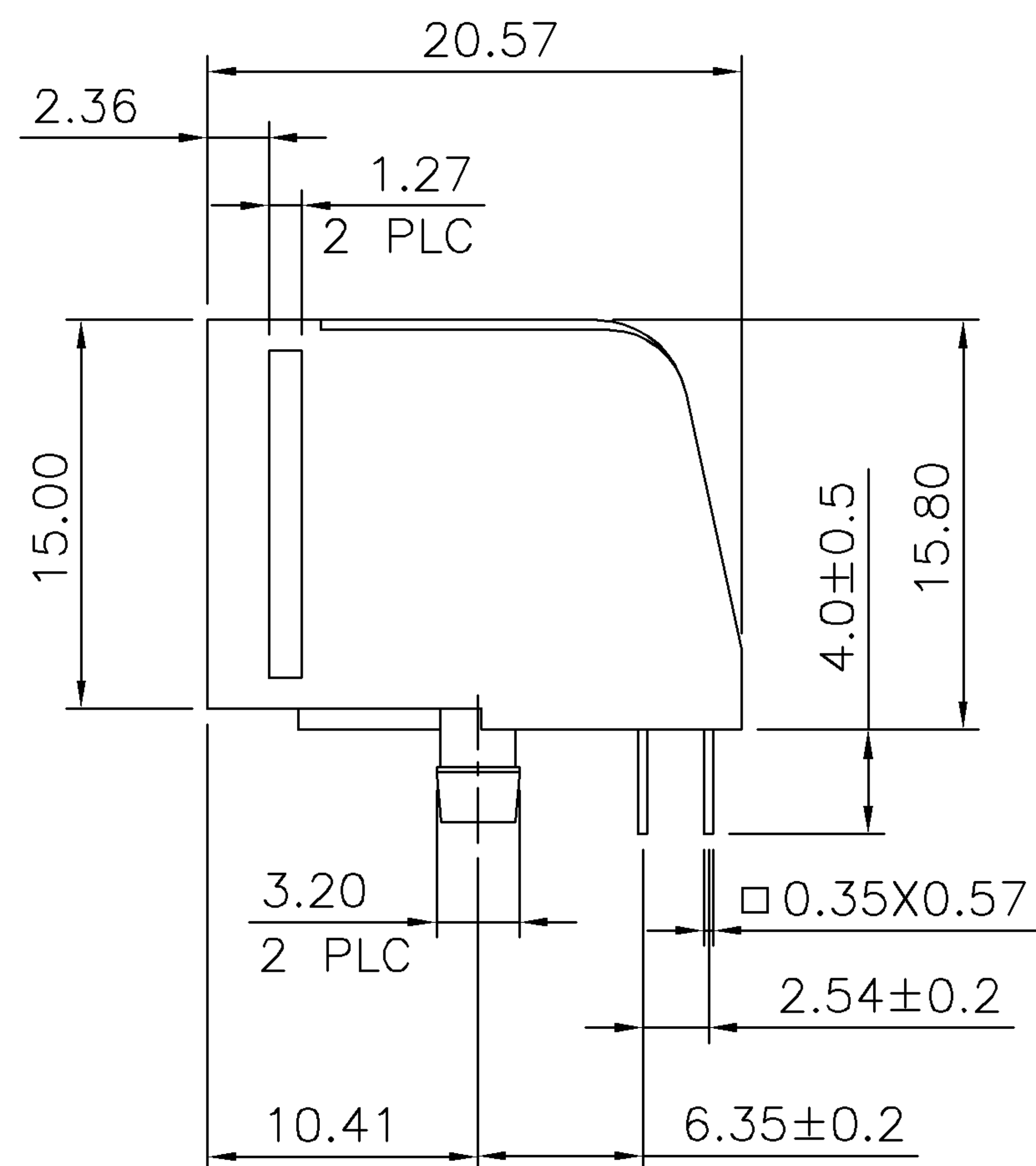
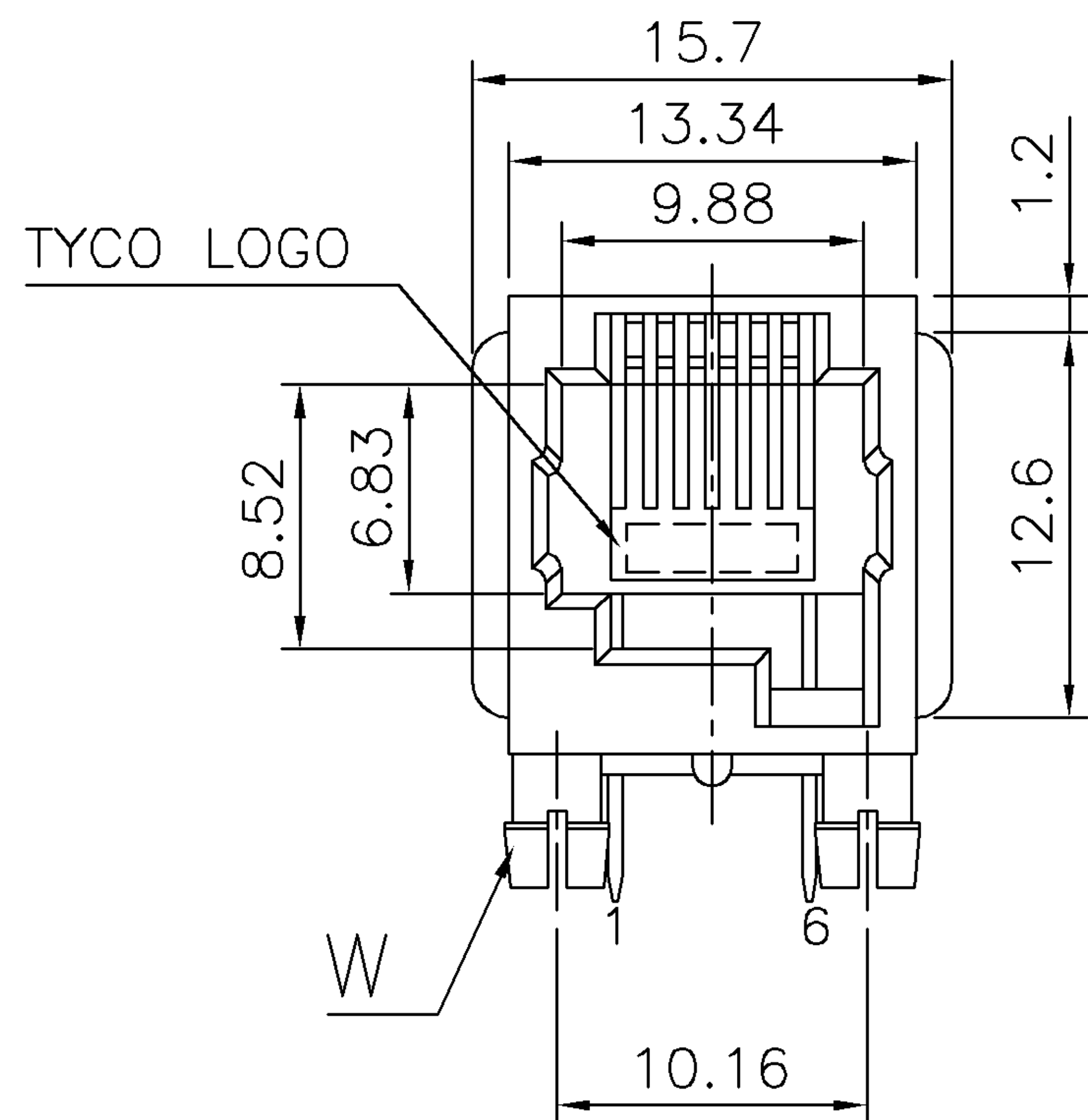


NUMBER
C-1775211

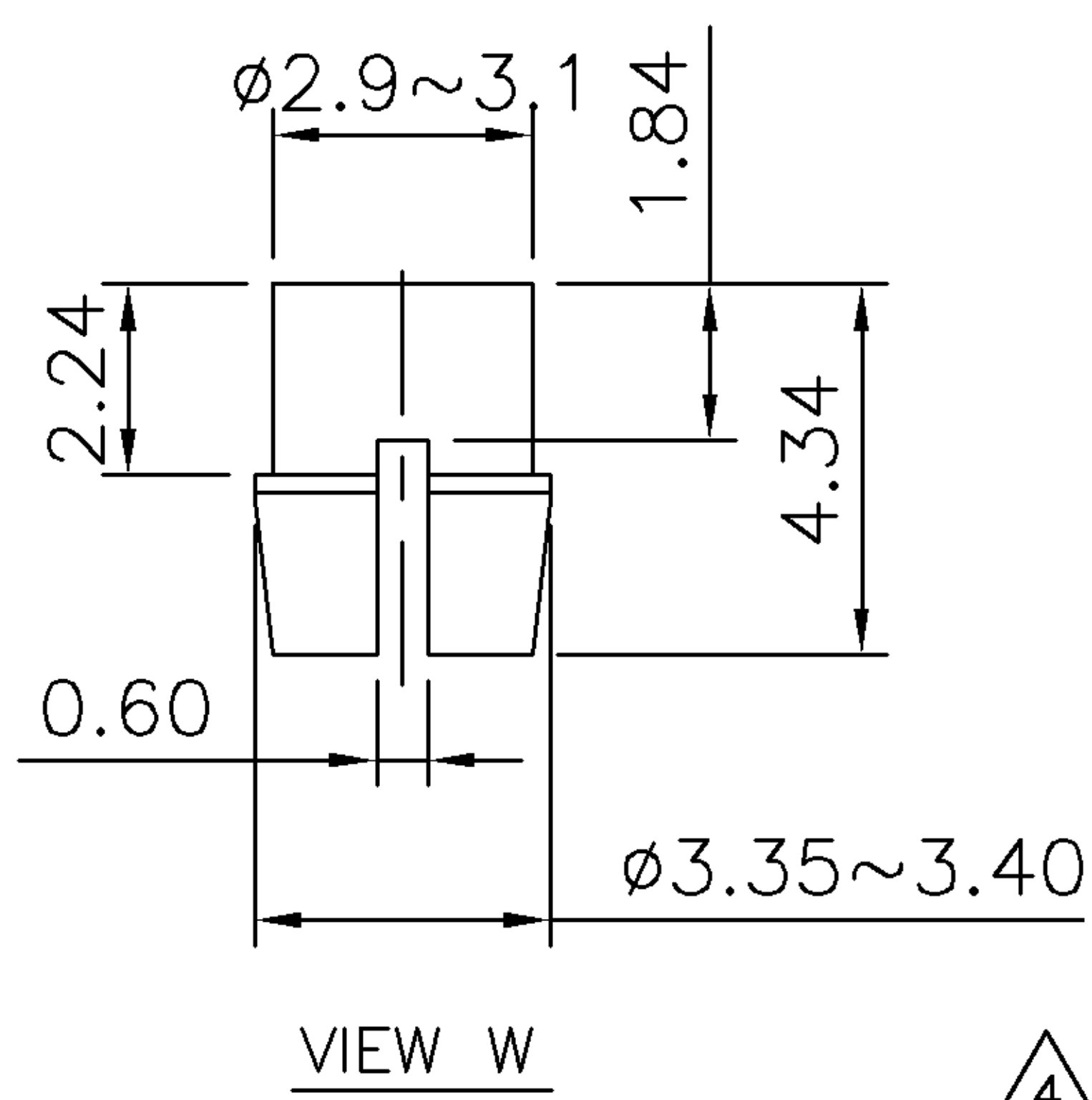


METRIC

THIS INFORMATION IS CONFIDENTIAL AND IS DISCLOSED TO YOU ON CONDITION THAT NO FURTHER DISCLOSURE IS MADE BY YOU TO OTHER THAN AMP PERSONNEL WITHOUT WRITTEN AUTHORIZATION FROM AMP (TAIWAN) LTD. DIMENSIONS IN MILLIMETERS. DO NOT SCALE PRINT.



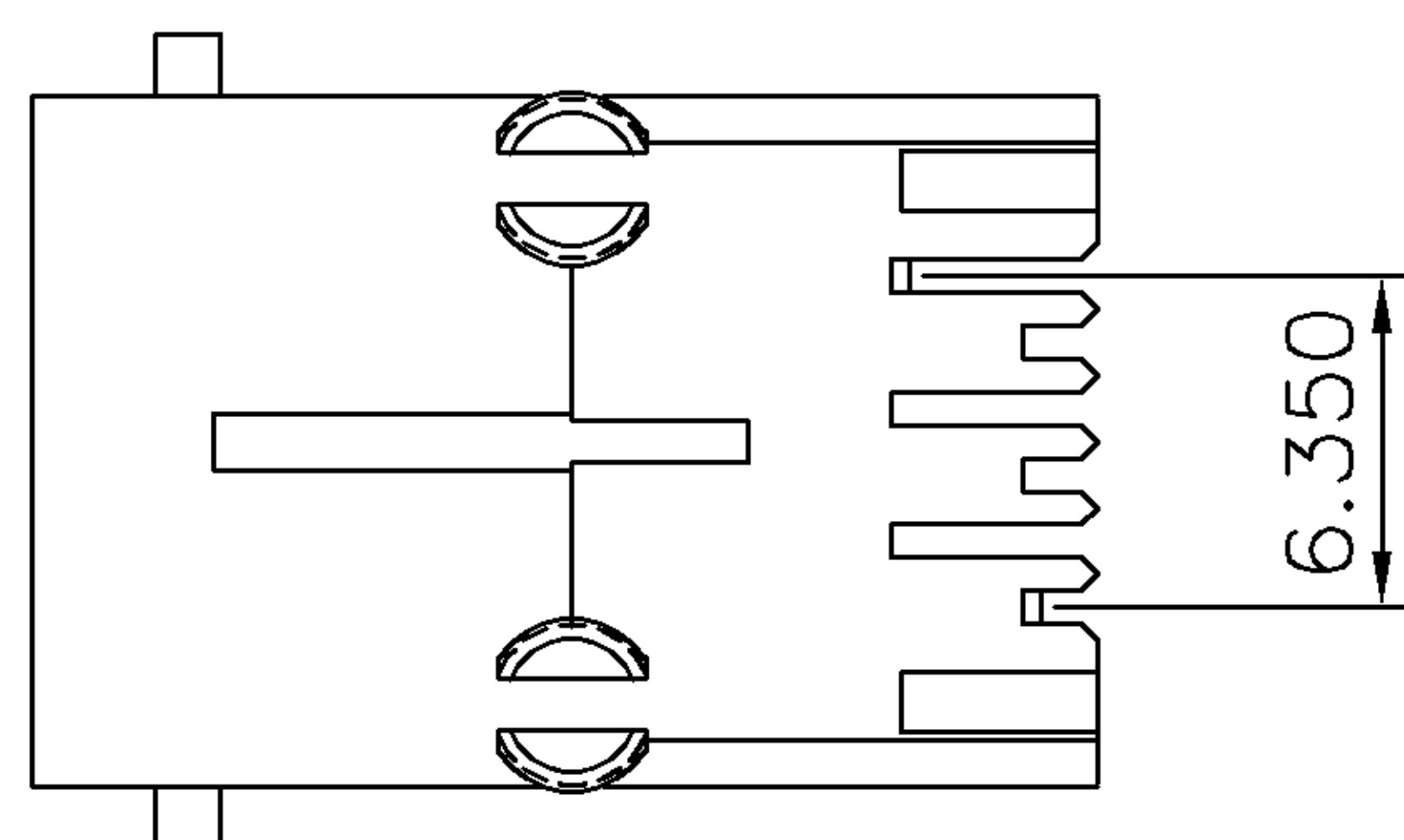
RECOMMENDED PCB LAYOUT (THICKNESS: 1.6mm)
DIMENSION TOLERANCE: 1 PLC: ±0.1 2PLC: ±0.05



NOTE:

- MATERIAL:
HOUSING: THERMOPLASTIC HIGH TEMP., UL 94V-0, COLOR: GRAY(PANTONE 400C).
CONTACT: PHOSPHOR BRONZE, THICKNESS=0.35mm.
- FINISH:
CONTACT: GOLD PLATED (SEE TABLE) IN CONTACT AREA, GOLD FLASH ON SOLDER TAILS, 50u" MIN. NICKEL UNDERPLATED ALL OVER.
- REFLOW SOLDER CAPABLE TO 260°C PER TYCO SPEC 109-201, CONDITION B.

4 OBSOLETE PARTS: OBSOLETE CIS STREAMLINING PER D.RENAUD/D.SINISI

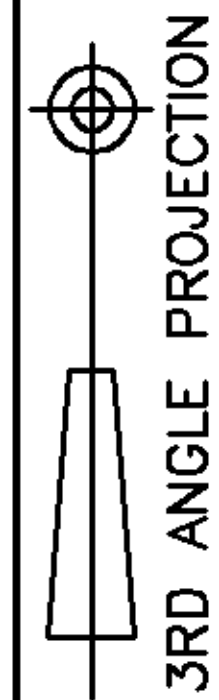


4 OBSOLETE	6P2C	50μ"	1775211-4
		30μ"	1775211-3
		15μ"	1775211-2
		6μ"	1775211-1
POS./CONT.		GOLD PLATED	PART NUMBER

TOLERANCES UNLESS OTHERWISE SPECIFIED: 0 PLC ±0.50 1 PLC ±0.30 2 PLC ±0.20 3 PLC ±0.10 ANGLES ±3'		DWN	O. HU	TYCO HOLDINGS (BERMUDA) VII LTD. TAIWAN BRANCH	
MATERIAL		APVD	W.J. KE	NAME	
SEE NOTE		28-JUL-2005		MODULAR JACK, SIDE ENTRY, 6 POS, DIP TYPE	
FINISH		28-JUL-2005		LOC	REV
SEE NOTE		QUALIFICATION TEST REPORT	501-57661	SIZE	DRAWING NO
LTR		WEIGHT	3.5 gram	A ₃	C-1775211
O		SCALE		SHEET	
O1		--		1 OF 2	

O1	REVISED PER	ECO-09-026495	KK	01DEC09
O	FIRST RELEASED		OH	29JUL 2005
LTR	REVISION RECORD	ECN	DWN	DATE

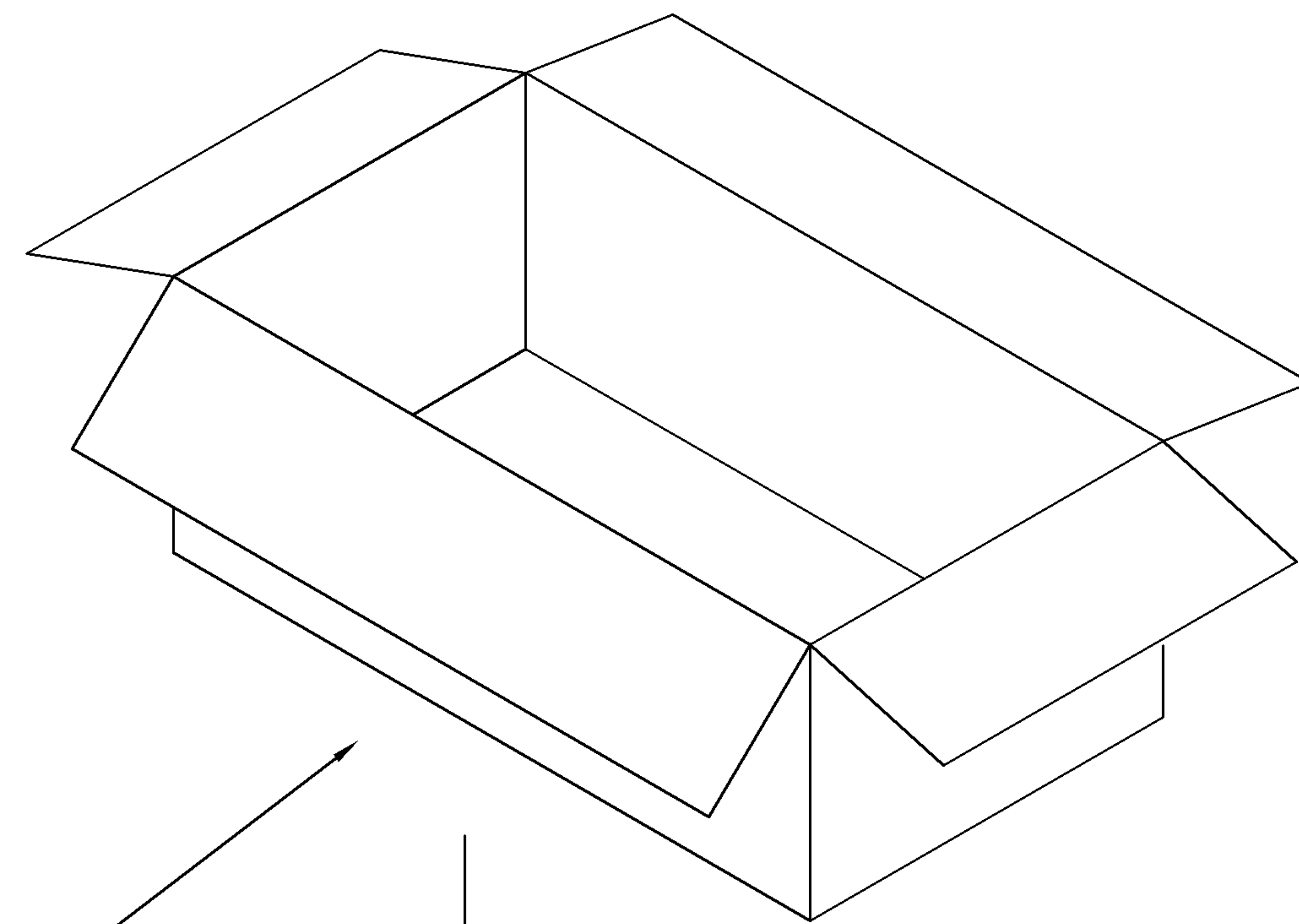
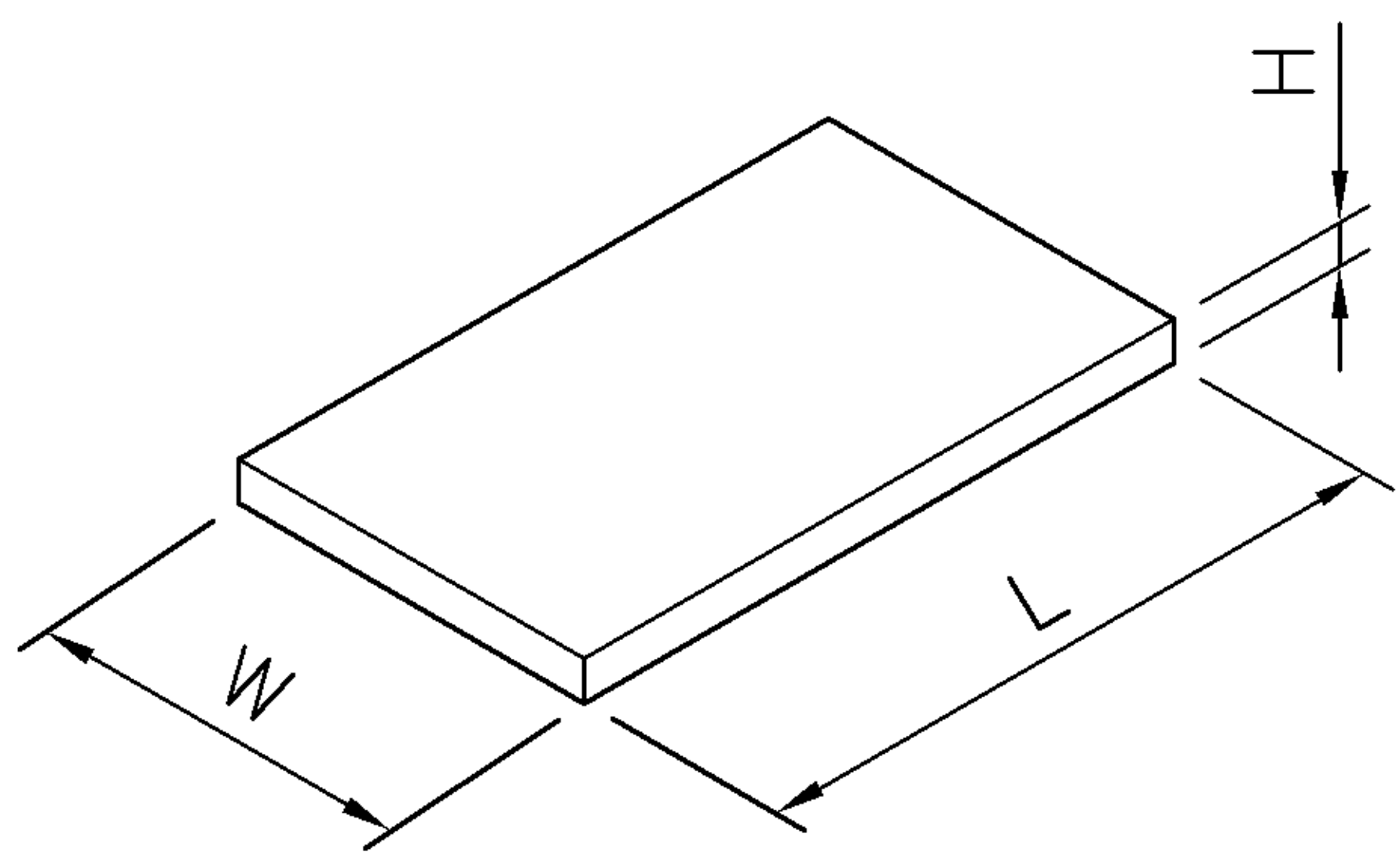
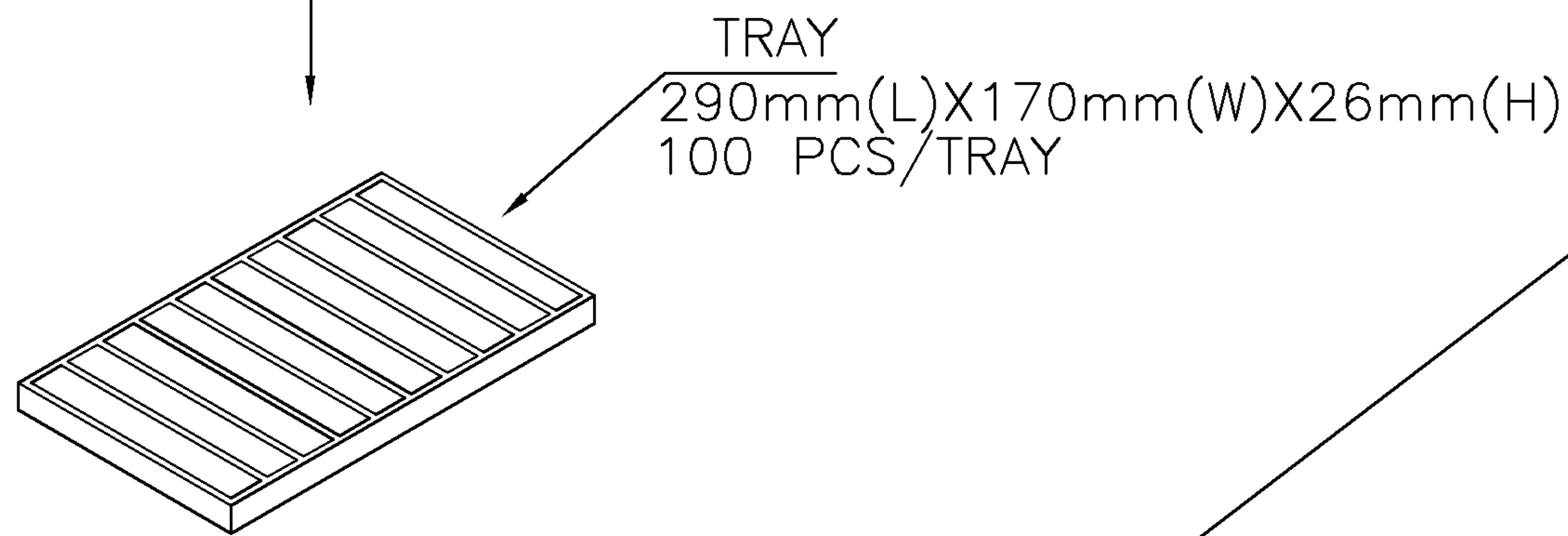
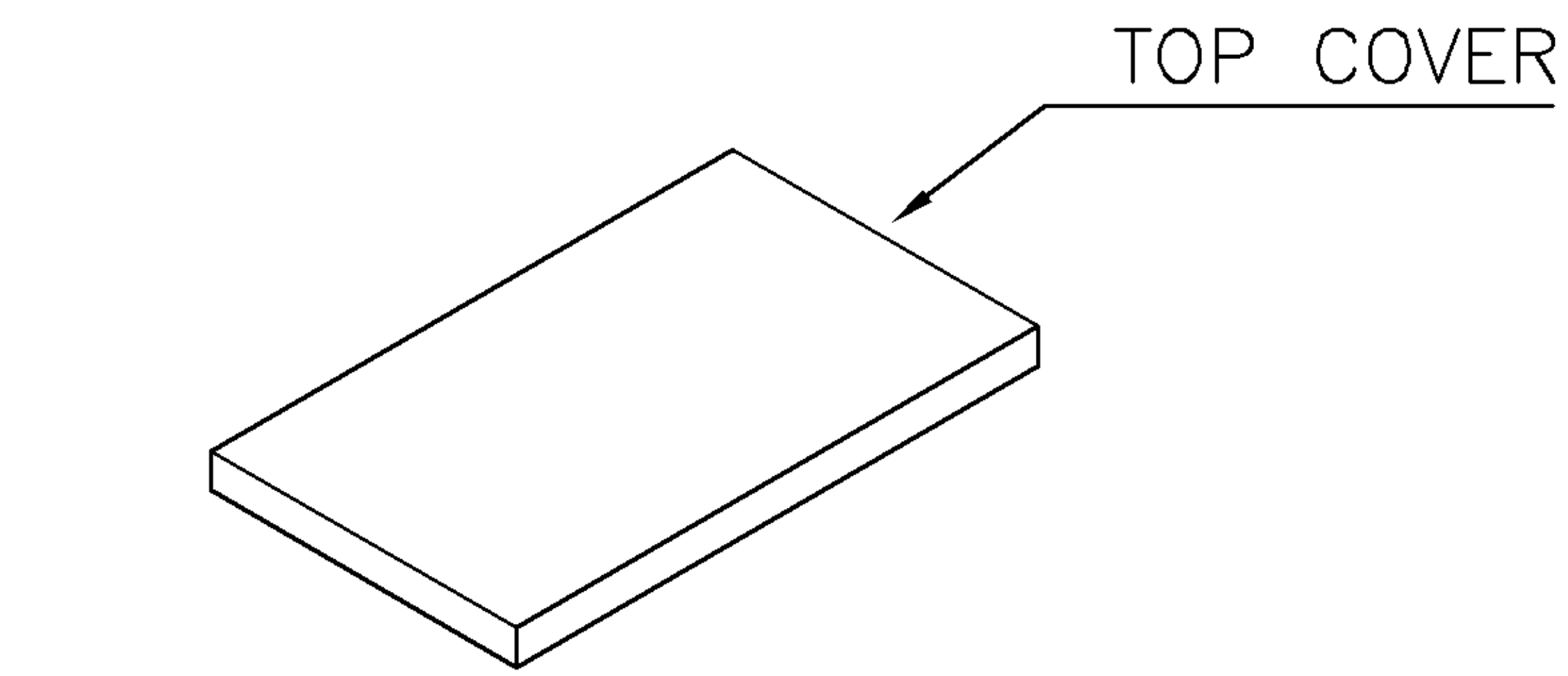
NUMBER
C-1775211



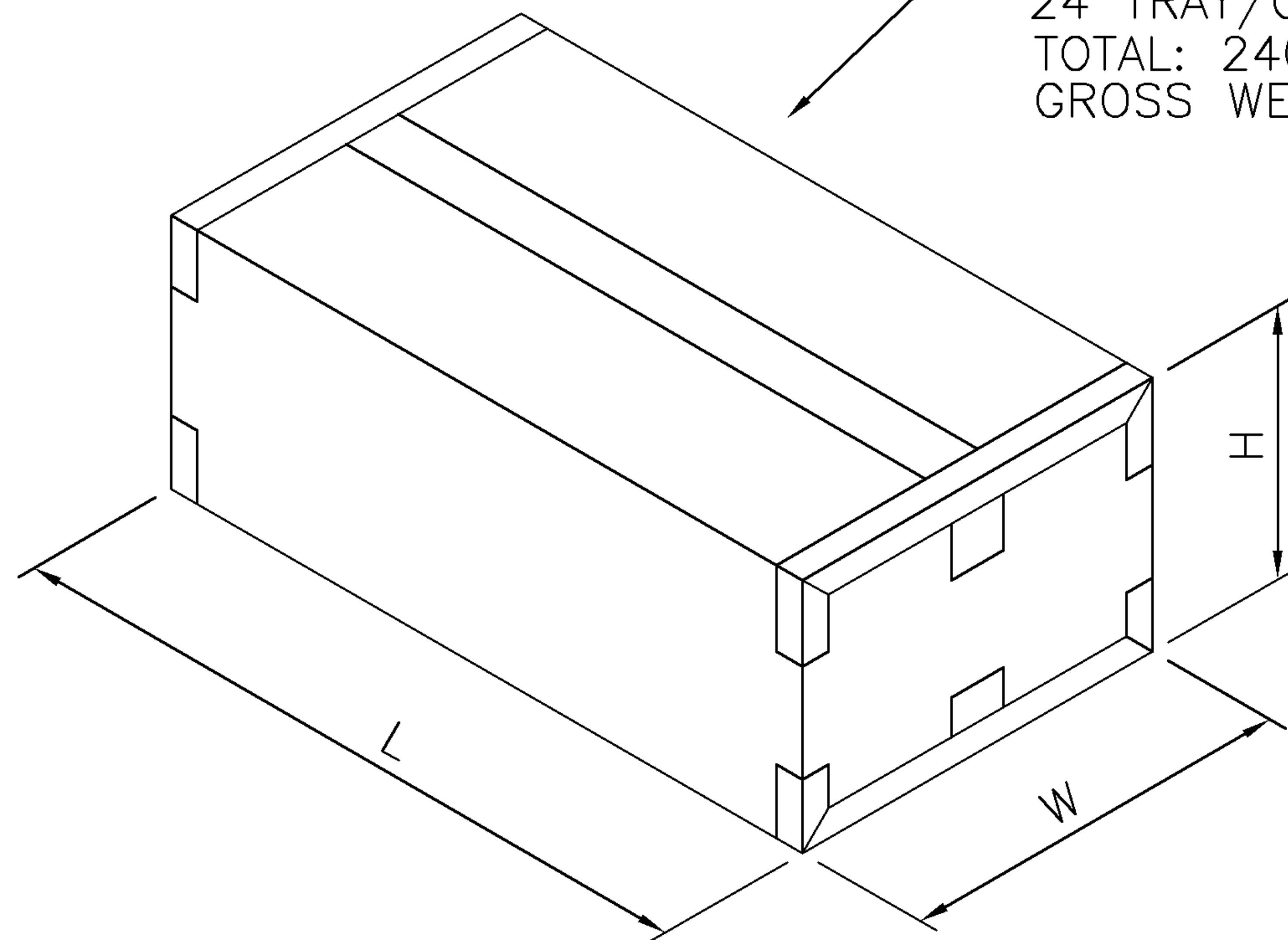
METRIC

THIS INFORMATION IS CONFIDENTIAL AND IS DISCLOSED TO YOU ON CONDITION THAT NO FURTHER DISCLOSURE IS MADE BY YOU TO OTHER THAN AMP PERSONNEL WITHOUT WRITTEN AUTHORIZATION FROM AMP (TAIWAN) LTD. DIMENSIONS IN MILLIMETERS. DO NOT SCALE PRINT.

PRINT
DW



CARTON
560mm(L)X310mm(W)X210mm(H)
24 TRAY/CARTON
TOTAL: 2400 PCS
GROSS WEIGHT: 10Kg (Ref.)



	SEE SHEET 1.			
LTR	REVISION RECORD	ECN	DWN CHK	DATE

TOLERANCES UNLESS OTHERWISE SPECIFIED:		DWN	O. HU	tyco TYCO HOLDINGS (BERMUDA)	
0 PLC	±		28-JUL-2005	VII LTD. TAIWAN BRANCH	
1 PLC	±	CHK	S. HOU	NAME	
2 PLC	±		28-JUL-2005	MODULAR JACK, SIDE ENTRY,	
3 PLC	±			6 POS, DIP TYPE	
ANGLES	±				
MATERIAL		APVD	W.J. KE		
SEE NOTE			28-JUL-2005		
FINISH		PRODUCT SPEC		LOC	SIZE
SEE NOTE		---		DW	A ₃
		QUALIFICATION TEST REPORT		DRAWING NO	REV
		---		C-1775211	O1
		WEIGHT		SCALE	SHEET
		---		--	2 OF 2

CUSTOMER DRAWING

8

7

6

5

4

3

2

1

D

C

B

A

单击下面可查看定价，库存，交付和生命周期等信息

[>>TE Connectivity\(泰科\)](#)