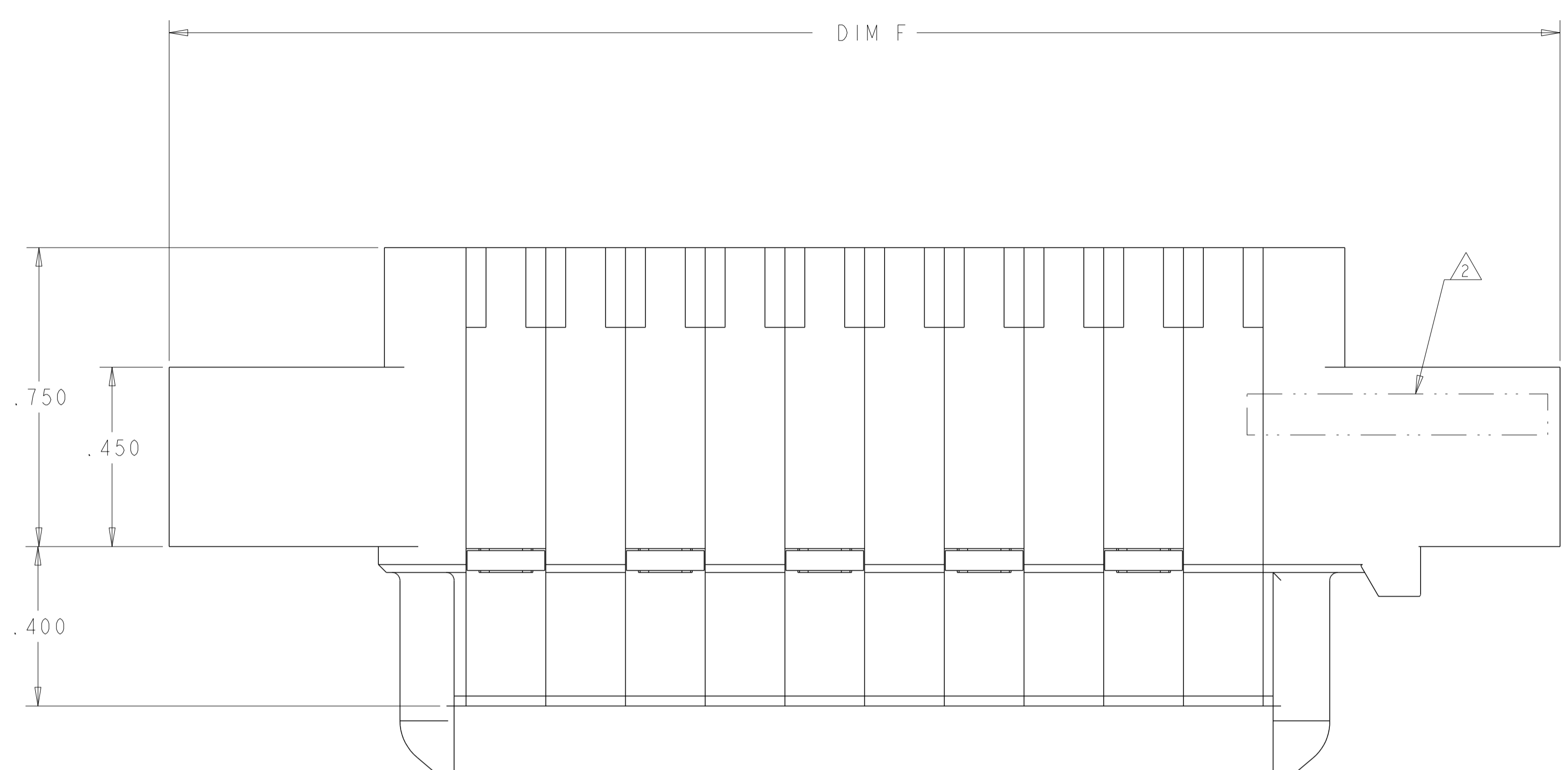
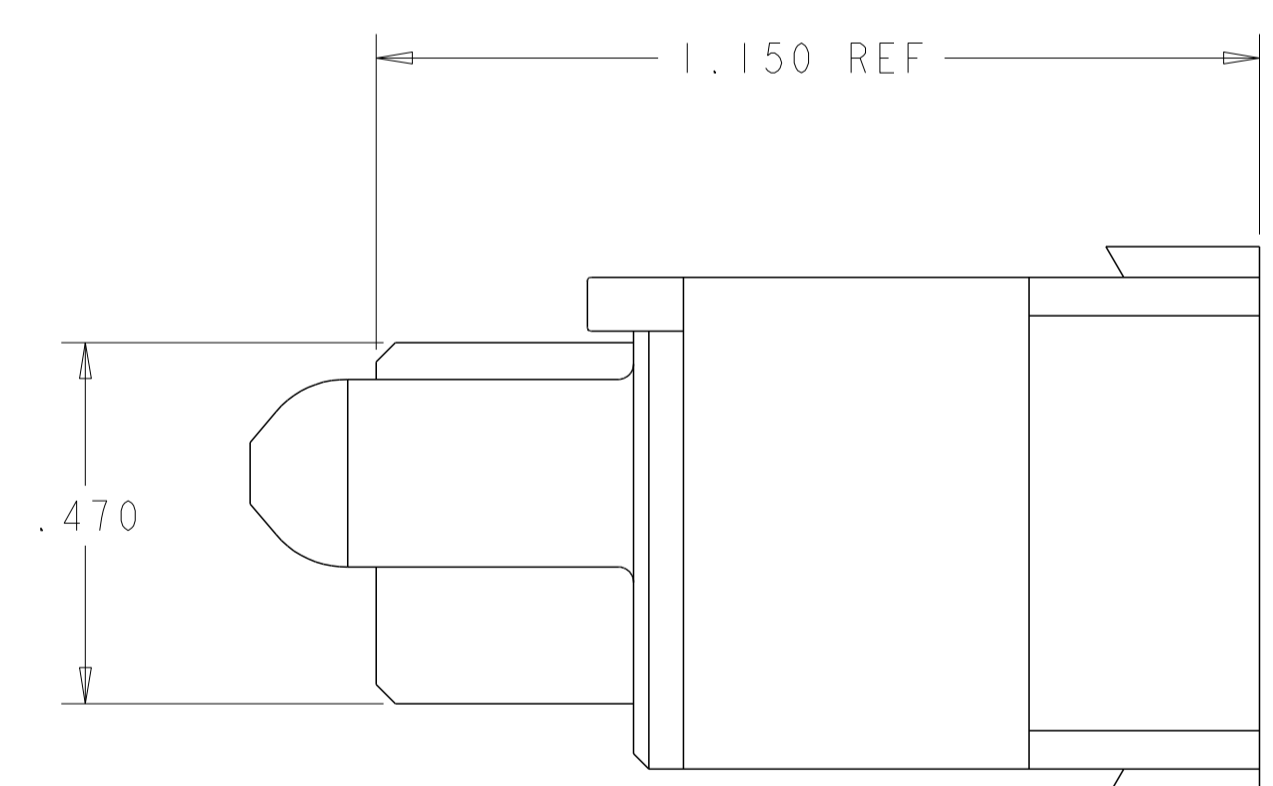
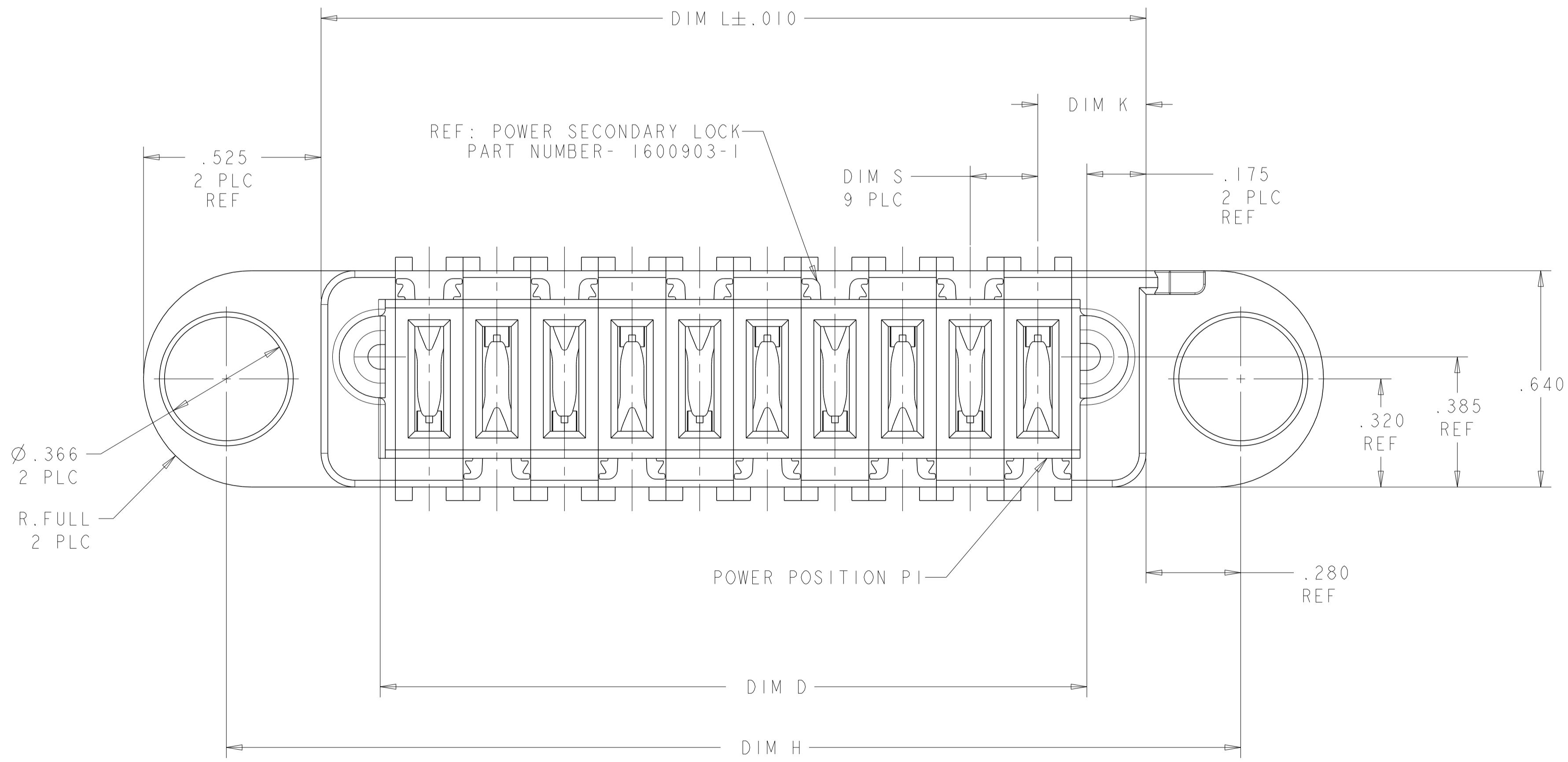


THIS DRAWING IS UNPUBLISHED. RELEASED FOR PUBLICATION 20  
 © COPYRIGHT 20 ALL RIGHTS RESERVED.

LOC		DIST		REVISIONS			
P	LTR	DESCRIPTION	DATE	DWN	APVD		
B		ADD NEW DASH NUMBER -8	14NOV2014	CZ	SZ		
B1		ADDED NEW DASH NUMBER -9	30MAY2016	CZ	SZ		
B3		ADDED NEW DASH NUMBER 1-0	10AUG2017	CZ	SZ		



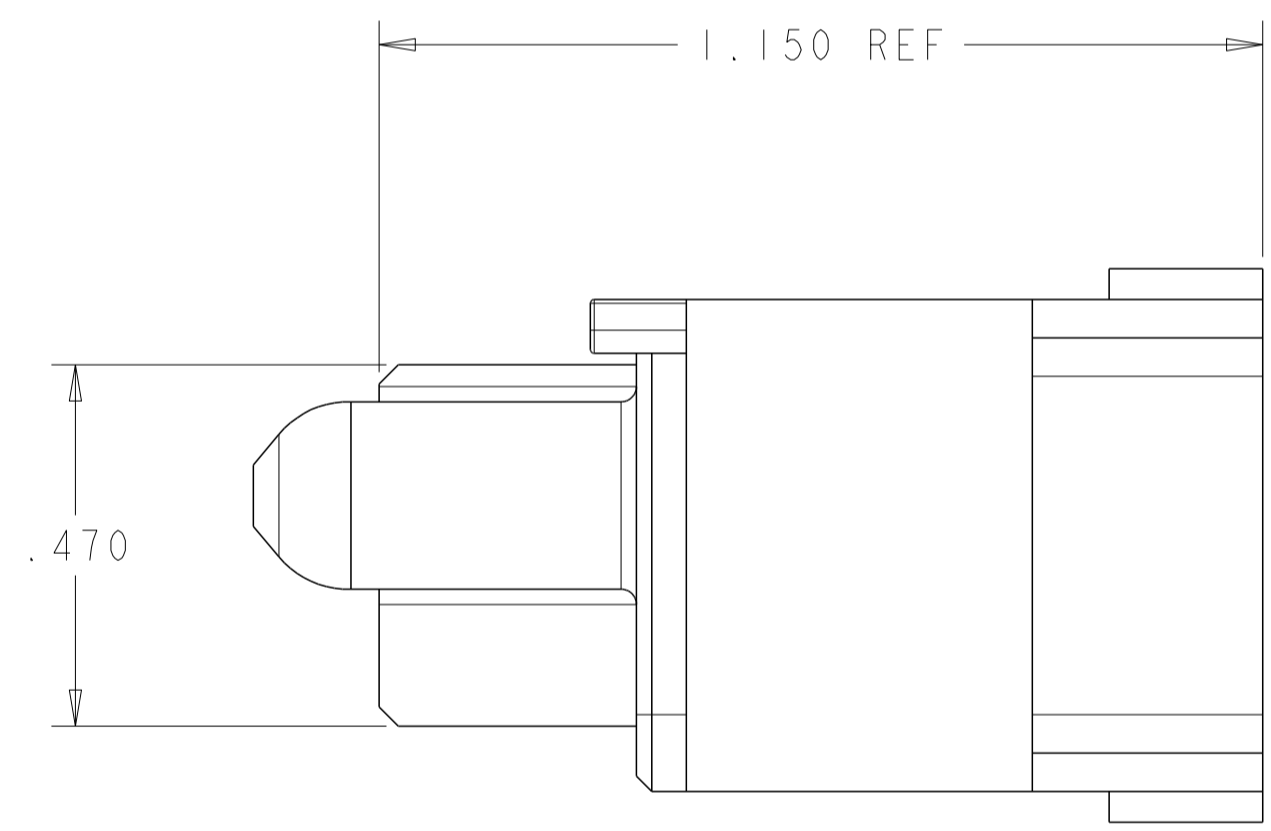
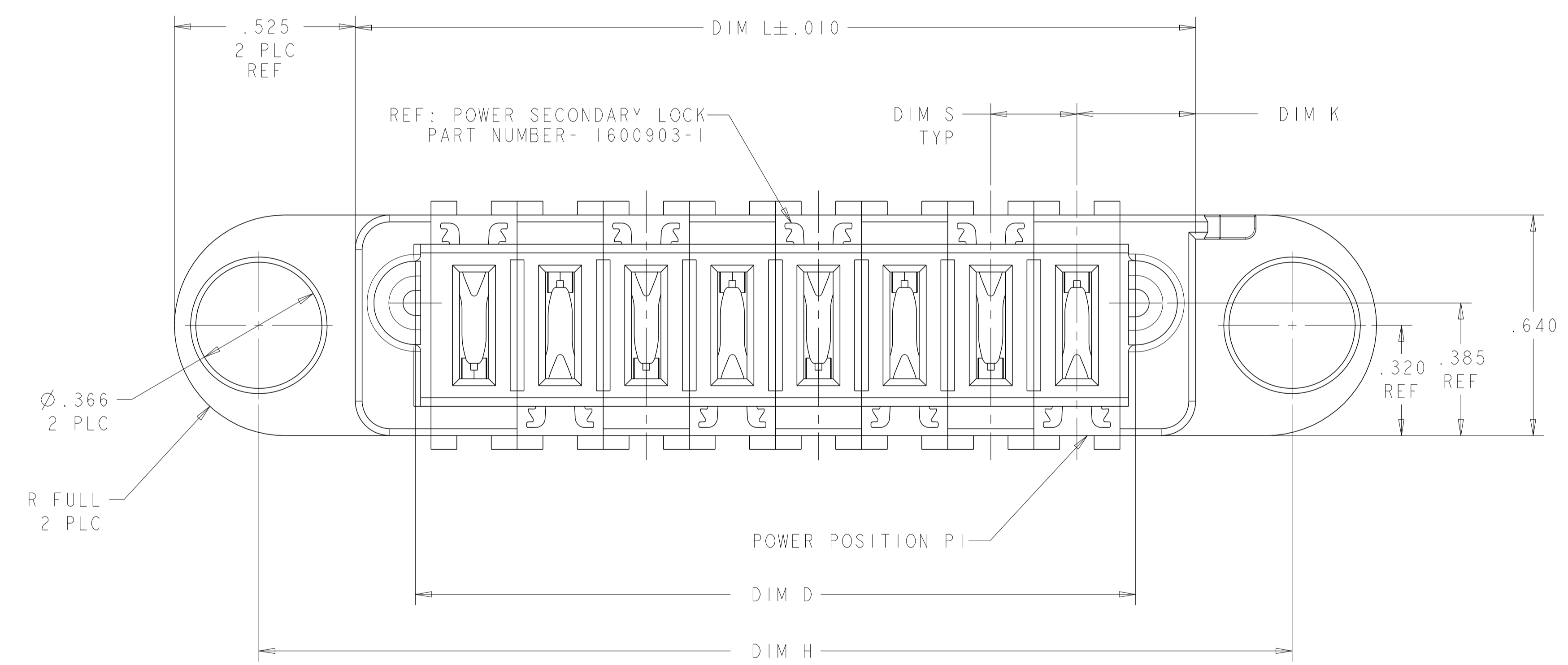
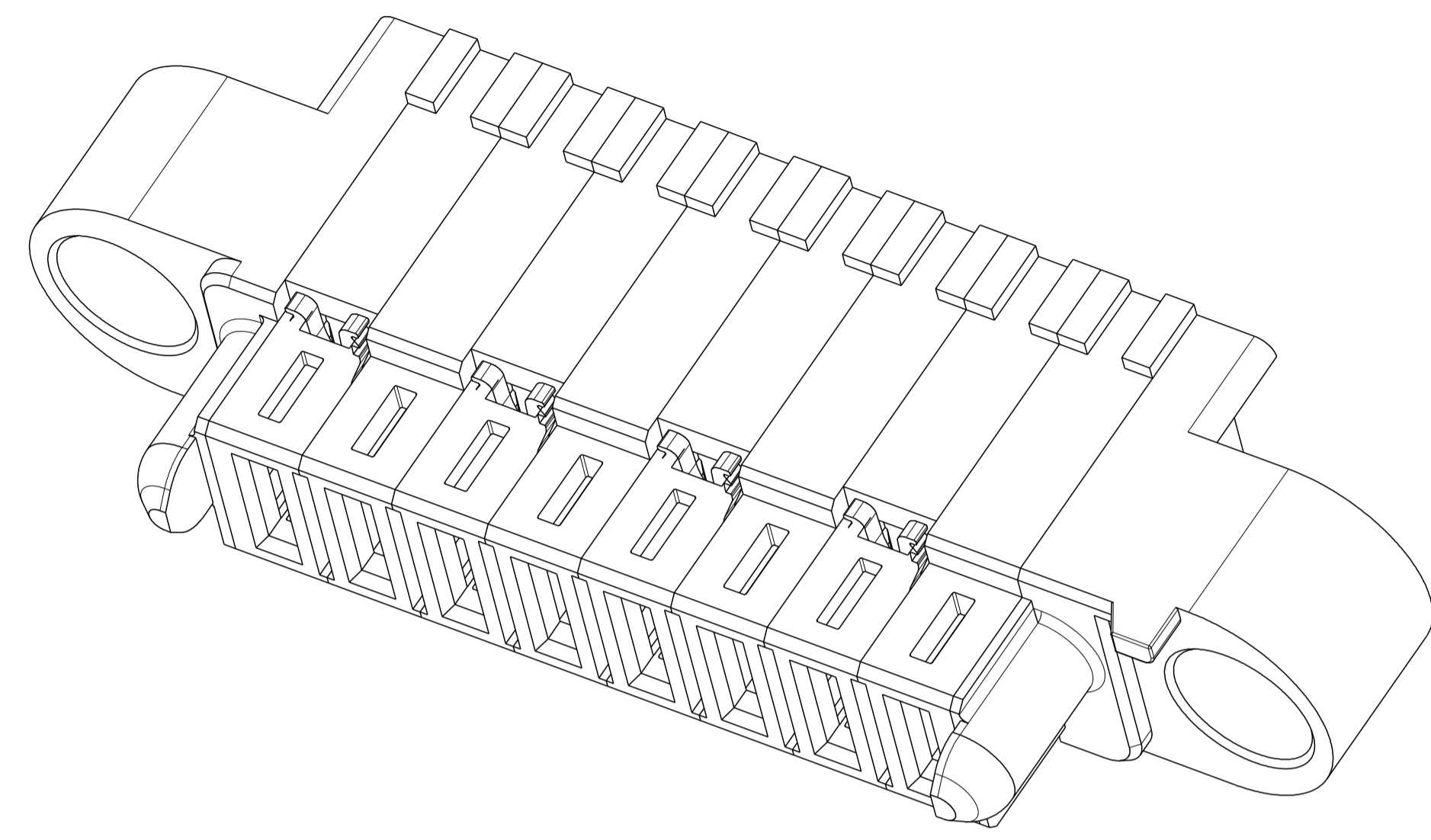
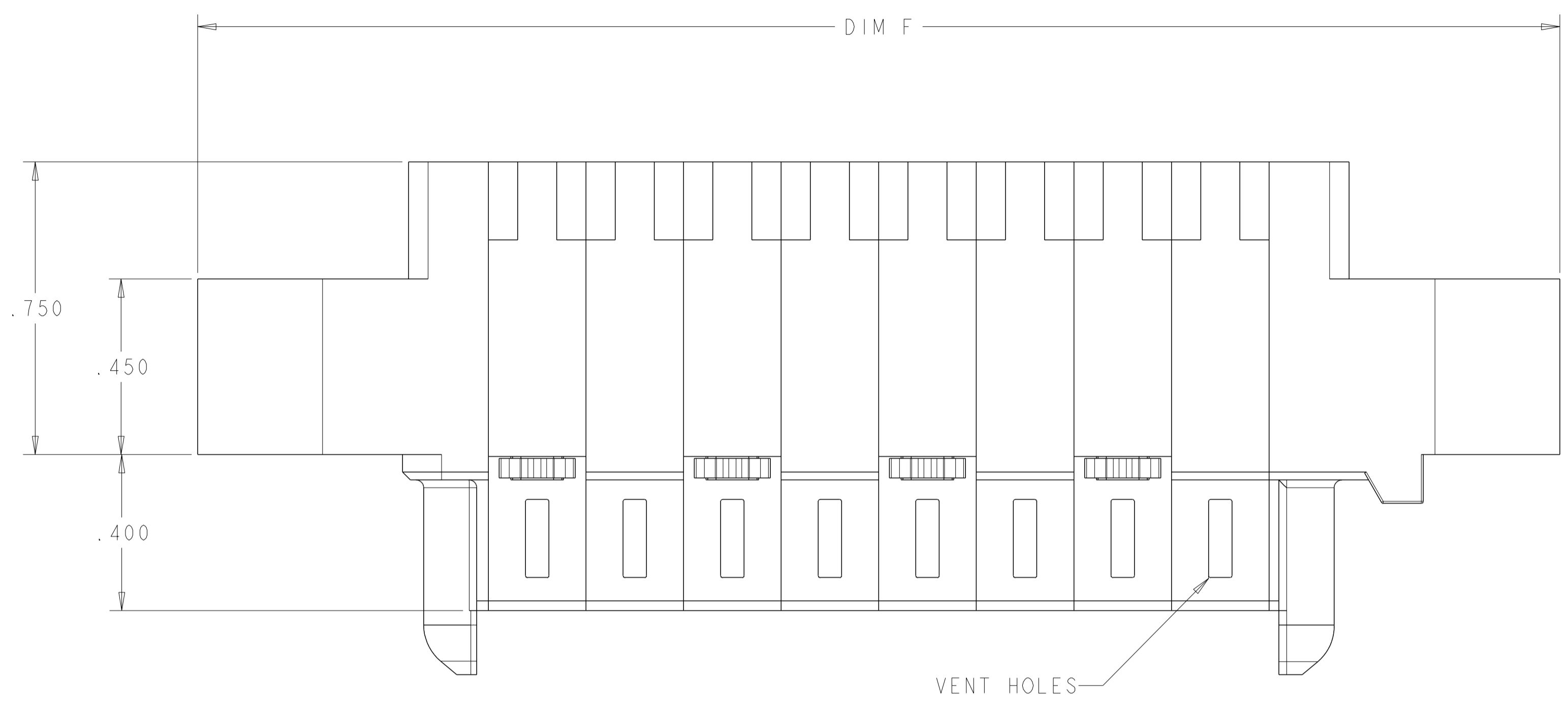
- 1 OPTIONAL CENTER MODULE.
- 2 COMPANY TRADEMARK, PART NUMBER, AND DATE CODE TO BE MARKED IN AREA SHOWN PARTS UNDER 2.00 LONG MAY BE MARKED ON BOTH SIDES.
- 3 MATERIAL: THERMO PLASTIC, UL94 V-0.
- 4 DATUM LOCATIONS AND BASIC DIMENSIONS TO BE ESTABLISHED BY THE CUSTOMER.
- 5 BULKHEAD THICKNESS RANGE: .031 - .100
- 6 CONNECTOR MATED TO PANEL FROM OPPOSITE SIDE.
- 7 NO BURRS ALLOWED ON OPPOSITE (MATING) SIDE.
- 8 CONNECTOR KEEP OUT ZONE. (A5)
- 9 MOUNT CONNECTOR WITH TYCO HARDWARE KIT (1600914-7) FOR .050 [1.27mm] MIN RADIAL FLOAT.
- 10 FOR THE CONFIGURATION WITH VENT, PLEASE REFER TO SHEET 2
- 11 FOR VARIABLE DIMENSIONS, PLEASE SEE PART TABLE



IOP	1892901-1
DESCRIPTION	PART NUMBER

THIS DRAWING IS A CONTROLLED DOCUMENT.		DWN C. ZHOU 27JUL2009	TE Connectivity	
DIMENSIONS: INCHES		CHK S. ZHAO 27JUL2009	NAME	
TOLERANCES UNLESS OTHERWISE SPECIFIED: 0 PLC ±. 1 PLC ±. 2 PLC ±.01 3 PLC ±.005 4 PLC ±.0020 ANGLES ±2°		APVD S. ZHAO	PRODUCT SPEC	
MATERIAL		FINISH	APPLICATION SPEC	
			114-13112	
			RESTRICTED TO	
			A100779 C=1892901	
			Customer Drawing	
			SCALE 1:1 SHEET 1 OF 4 REV B3	

LOC	DIST	REVISIONS					
ES	00	P	LTR	DESCRIPTION	DATE	DWN	APVD
				SEE SHEET 1			



△ FOR THE CONFIGURATION WITH VENT HOLES

2.700	1.790	.350	.370	2.140	3.190	5ACP(8AWG)	1-1892901-0
2.890	1.980	.115	.3025	2.330	3.380	16LP(14AWG)	1892901-9
3.650	2.740	△	.345	3.090	4.140	11P	1892901-8 △
2.950	2.040	.425	.345	2.390	3.440	5P	1892901-7
1.850	.940	.300	.345	1.290	2.340	3ACP	1892901-6
3.550	2.640	.375	.370	2.990	4.040	7ACP	1892901-5
2.375	1.465	.375	.345	1.815	2.865	4P	1892901-4
1.850	.940	.300	.345	1.290	2.340	3ACP	1892901-3
3.000	2.090	.250	.345	2.440	3.490	8P	1892901-2
3.000	2.090	.200	.320	2.440	3.490	10P	1892901-1
DIM H	DIM D	DIM S	DIM K	DIM L	DIM F	DESCRIPTION	PART NUMBER

THIS DRAWING IS A CONTROLLED DOCUMENT.

DWN: C. ZHOU 27JUL2009  
 CHK: S. ZHAO 27JUL2009

**STE** TE Connectivity

NAME: PANEL MOUNT CABLE RECEPTACLE HOUSING WITH SLIM GUIDES MULTI-BEAM XLE

PRODUCT SPEC: 108-2175  
 APPLICATION SPEC: 114-13112

SIZE: A1  
 CAGE CODE: 100779  
 DRAWING NO: C-1892901

RESTRICTED TO: -

Customer Drawing SCALE: 1:1 SHEET 2 OF 4 REV: B3

LOC	DIST	REVISIONS					
ES	00	P	LTR	DESCRIPTION	DATE	DWN	APVD
				SEE SHEET 1			

REFERENCE POWER WIRE CHART - RM & RA CONTACTS		
HOUSING MODULE	CONTACT	INSULATION DIAMETER RANGE
.300	8-10 1600960 REF	[.176-.272]
.250	8-10 1600960 REF	[.176-.203]
	12-14 1600961 REF	[.156-.176]
.200	12-14 1600961 REF	[.120-.156]
.100	22-26 5531216-3 REF	[.036-.069]

PART NUMBER	ROWS	POWER											
		P10	P9	P8	P7	P6	P5	P4	P3	P2	P1		
1892901-1	D C B A	○	RM	RM	RM	RM	RA	RA	RM	RM	RM	RM	○
10P													

REFERENCE ONLY FOR 1892901-1 POWER WIRE (300V) CHART - RM & RA CONTACTS		
HOUSING MODULE	CONTACT	INSULATION DIAMETER RANGE
.200	10 1600961 REF	[.175-.190]

PART NUMBER	ROWS	POWER								
		P8	P7	P6	P5	P4	P3	P2	P1	
1892901-2	D C B A	○	RM	RM	RM	RM	RM	RM	RM	○
8P										

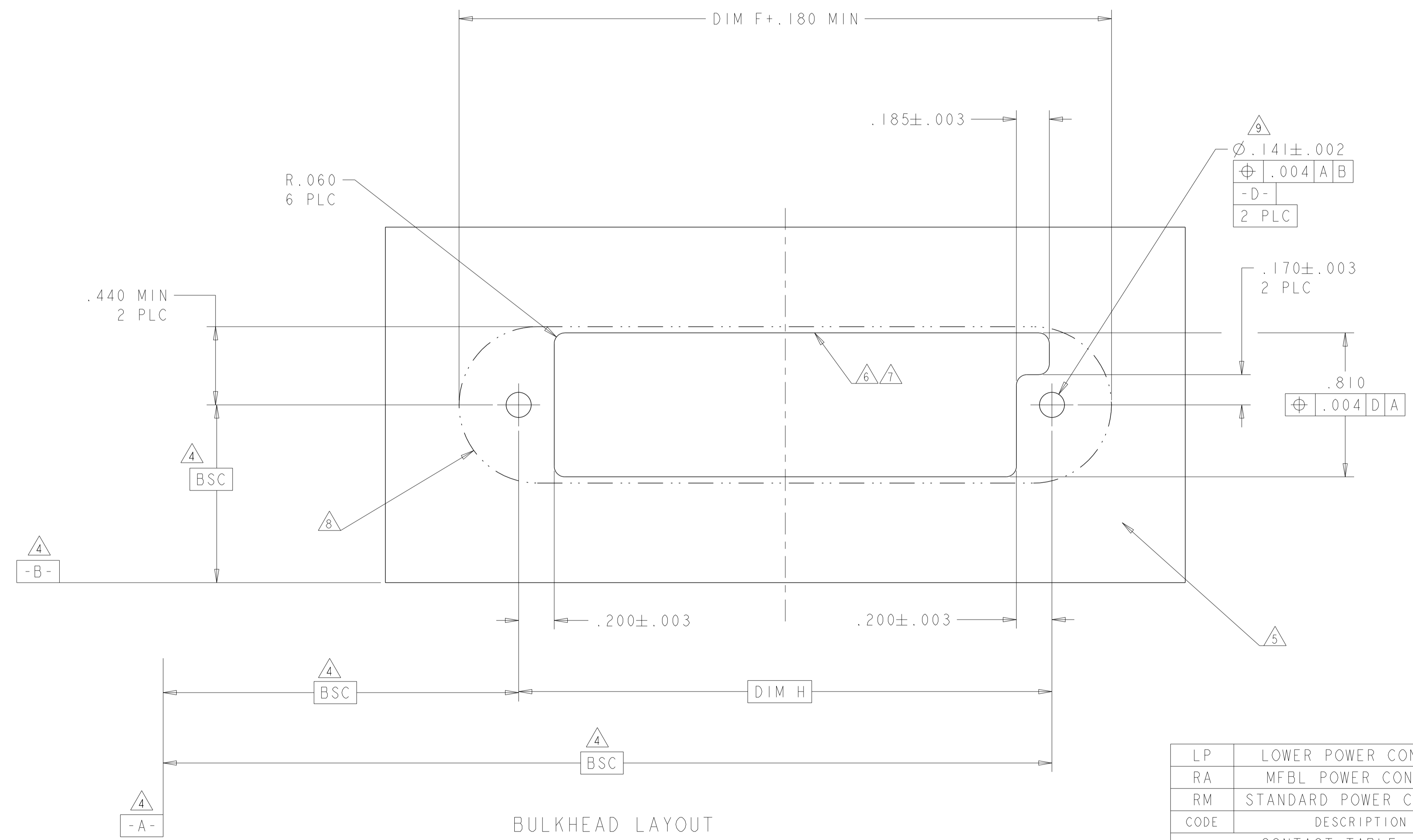
PART NUMBER	ROWS	POWER						
		P5	P4	P3	P2	P1		
1892901-7	D C B A	○	RM	RM	RM	RM	RM	○
5P								

PART NUMBER	ROWS	POWER				
		P3	P2	P1		
1892901-3	D C B A	○	RM	RM	RM	○
3 ACP						

PART NUMBER	ROWS	POWER					
		P4	P3	P2	P1		
1892901-4	D C B A	○	RM	RM	RM	RA	○
4P							

PART NUMBER	ROWS	POWER								
		P7	P6	P5	P4	P3	P2	P1		
1892901-5	D C B A	○	RA	RM	RM	RM	RM	RM	RM	○
7ACP										

PART NUMBER	ROWS	POWER				
		P3	P2	P1		
1892901-6	D C B A	○	RM	RA	RM	○
3 ACP						



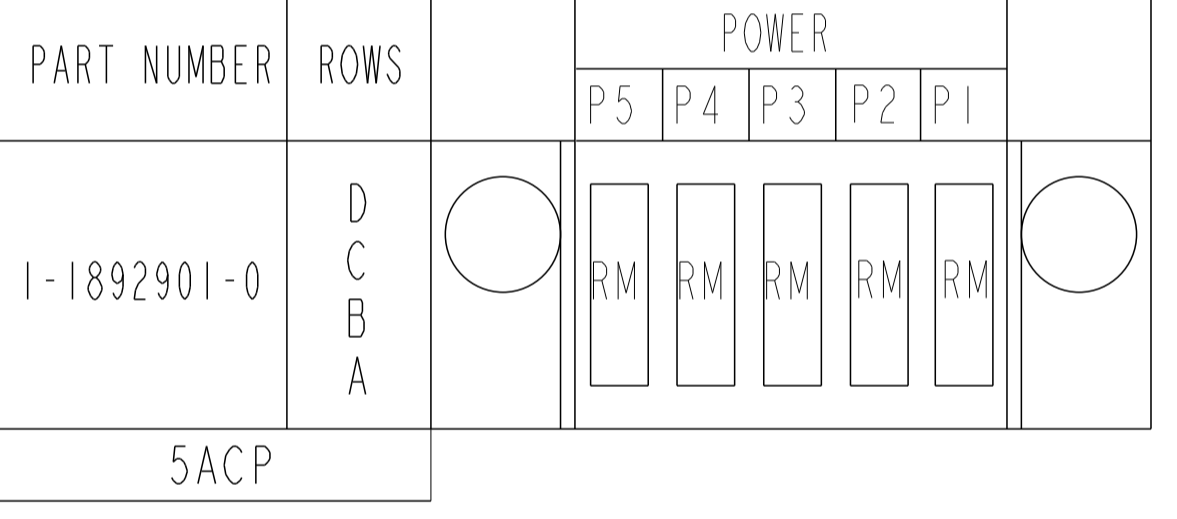
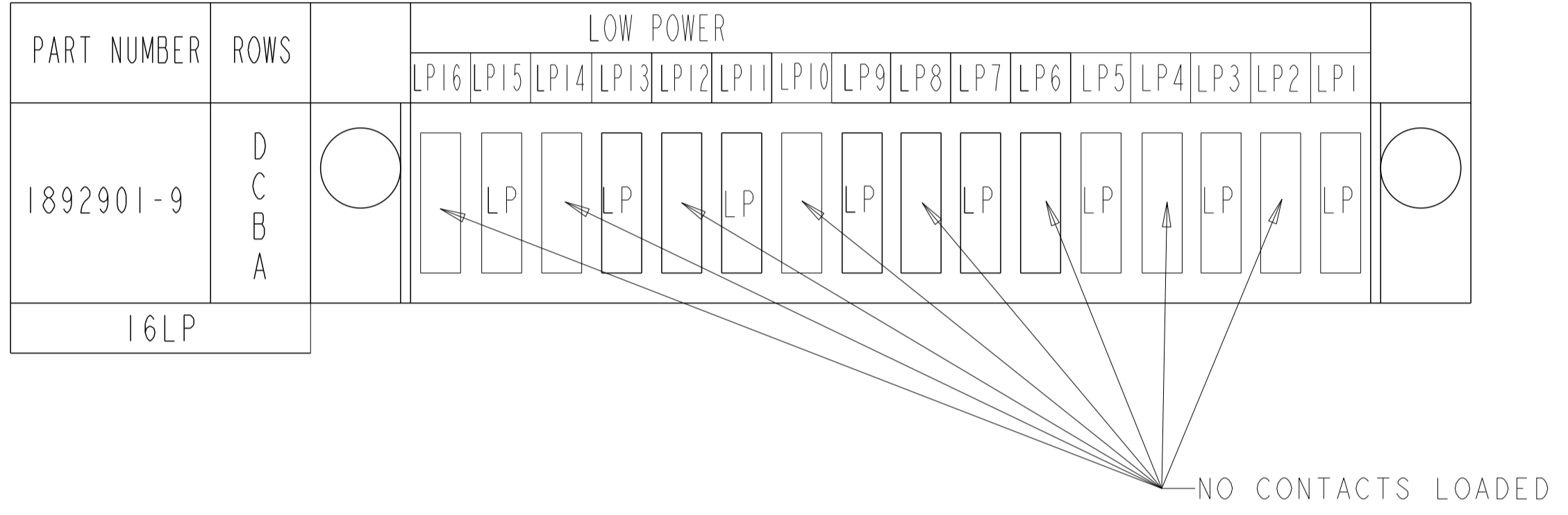
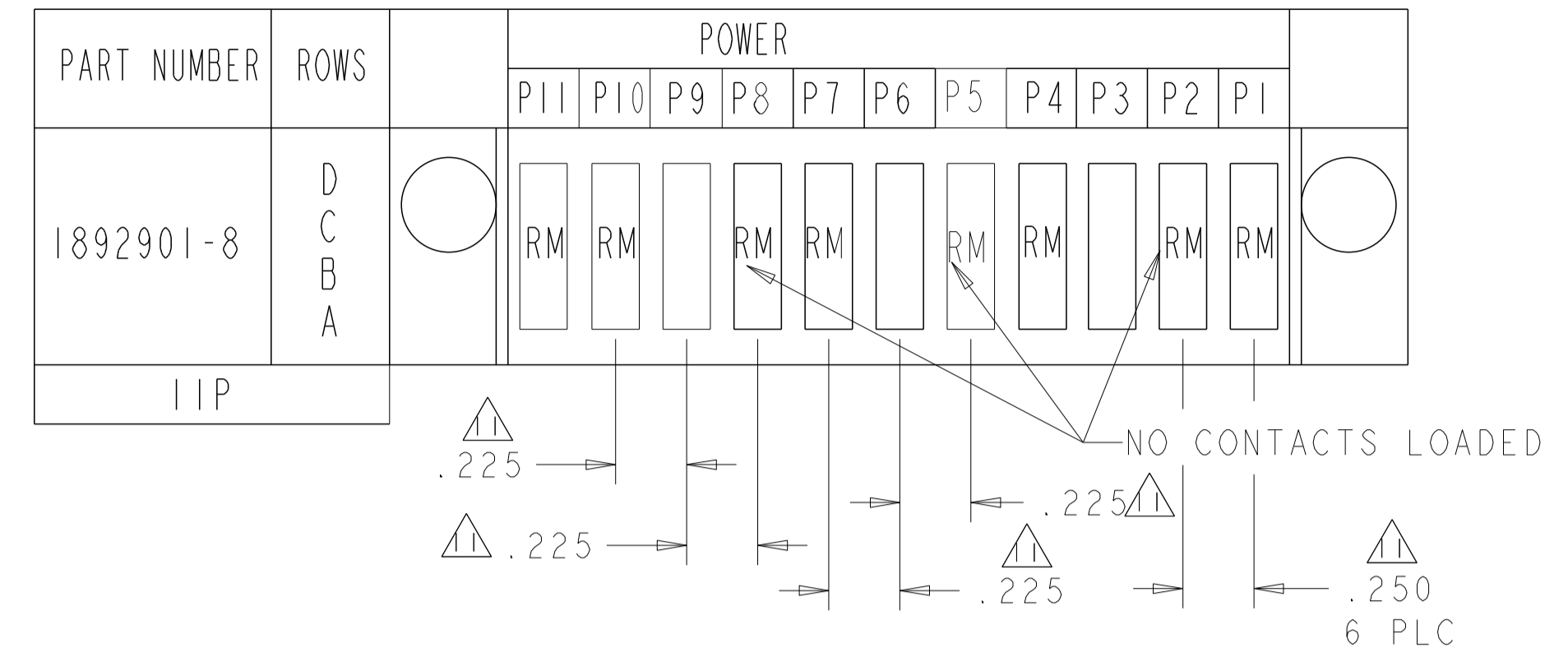
LP	LOWER POWER CONTACT
RA	MFBL POWER CONTACT
RM	STANDARD POWER CONTACT
CODE	DESCRIPTION
CONTACT TABLE	

THIS DRAWING IS A CONTROLLED DOCUMENT. DWN: C.ZHOU 27JUL2009  
 CHK: S.ZHAO 27JUL2009  
 APVD: S.ZHAO  
 NAME: S. ZHAO  
 PRODUCT SPEC: 108-2175  
 APPLICATION SPEC: 114-13112  
 WEIGHT: -

**STE** TE Connectivity  
 PANEL MOUNT CABLE RECEPTACLE HOUSING WITH SLIM GUIDES MULTI-BEAM XLE

SIZE: A1 CAGE CODE: 100779 DRAWING NO: 1892901 RESTRICTED TO: -  
 SCALE: 4:1 SHEET 3 OF 4 REV: B3

LOC	DIST	REVISIONS					
ES	00	P	LTR	DESCRIPTION	DATE	DWN	APVD
				SEE SHEET 1			



THIS DRAWING IS A CONTROLLED DOCUMENT. DWN: C.ZHOU 27JUL2009  
 CHR: S.ZHAO 27JUL2009

**STE** TE Connectivity

NAME: PANEL MOUNT CABLE RECEPTACLE HOUSING WITH SLIM GUIDES MULTI-BEAM XLE

PRODUCT SPEC: 108-2175  
 APPLICATION SPEC: 114-13112

SIZE: A1 CAGE CODE: 100779 DRAWING NO: C=1892901

MATERIAL: FINISH: Customer Drawing

SCALE: 4:1 SHEET 4 OF 4 REV: B3

单击下面可查看定价，库存，交付和生命周期等信息

[>>TE Connectivity\(泰科\)](#)