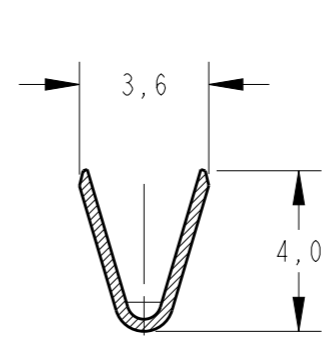
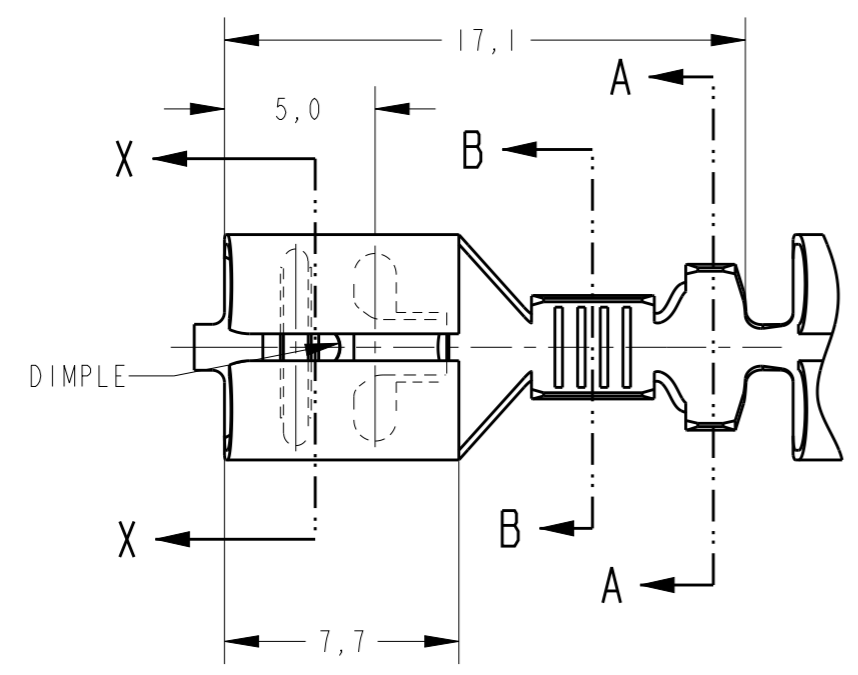


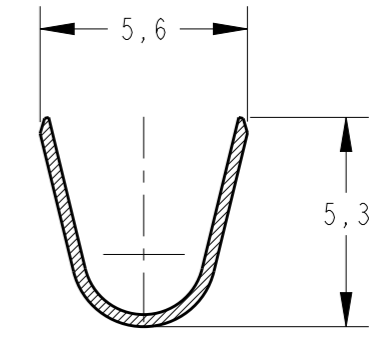
THIS DRAWING IS UNPUBLISHED. RELEASED FOR PUBLICATION 2012  
 © COPYRIGHT 2012 BY TE CONNECTIVITY ALL RIGHTS RESERVED.

LOC	DIST	REVISIONS				
P	LTR	DESCRIPTION	DATE	DWN	APVD	
AP	-	G2	REVISADO POR ECO 16-003725	27JUN2016	HC	WLS

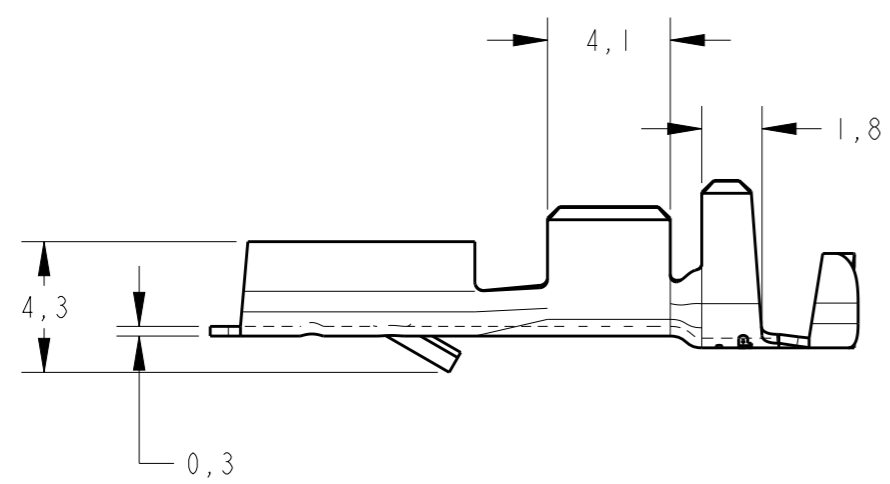
**ProENGINEER WILDFIRE 4.0**  
**DO NOT REVISE EXCEPT BY CAD**



SECTION B-B  
SCALE 5:1



SECTION A-A  
SCALE 5:1



⚠ - OBSOLETE PARTS; OBSOLETE CIS STREAMLINING PER D.RENAUD/D.SINISI

FINISH	MATERIAL	PART NUMBER	
			PLATEADO/SILVER PLATED
<del>OBSOLETE</del>	<del>PLATEADO/SILVER PLATED</del>	<del>LATÃO / BRASS</del>	<del>626095 -5</del>
ESTANHADO / TIN PLATED	BRONZE FOSF./PHOSP BRONZE	626095 -4	
—	BRONZE FOSF./PHOSP BRONZE	626095 -3	
ESTANHADO / TIN PLATED	LATÃO / BRASS	626095 -2	
—	LATÃO / BRASS	626095 -1	

INS. RANGE	WIRE RANGE
∅ 3,0-4,3mm	1,0-2,5mm <sup>2</sup>

THIS DRAWING IS A CONTROLLED DOCUMENT.

DWN NCLAPRESA 26AUG2013  
 CHK JRGOLDSCHMIDT 26AUG2013  
 APVD DAOLIVEIRA 26AUG2013

**STE** TE Connectivity

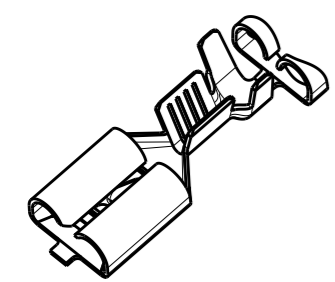
NAME .250 SERIES FAST-IN-ON RECEPTACLE

PRODUCT SPEC -  
 APPLICATION SPEC -  
 WEIGHT -

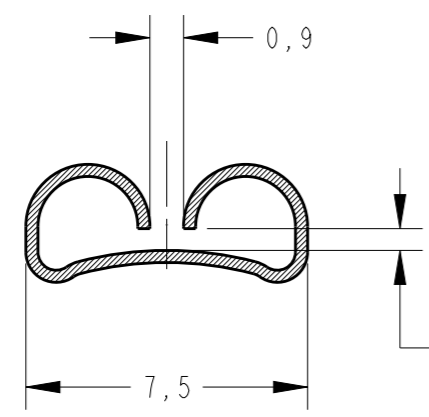
MATERIAL SEE TABLE FINISH SEE TABLE

SIZE A3 CAGE CODE 00779 DRAWING NO C-626095 RESTRICTED TO -

CUSTOMER DRAWING SCALE - SHEET 1 OF 1 REV G2



PERSPECTIVE VIEW  
SCALE 2:1



SECTION X-X  
SCALE 5:1

PARA LINGUETA DE 0,8mm ESPESSURA FOR 0,8mm TAB

单击下面可查看定价，库存，交付和生命周期等信息

[>>TE Connectivity\(泰科\)](#)