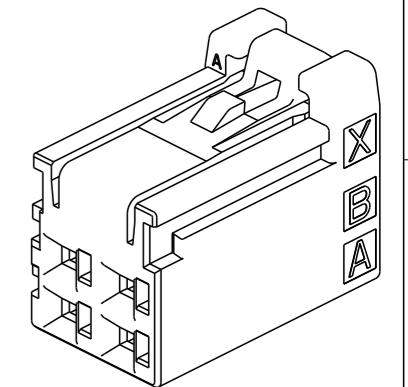


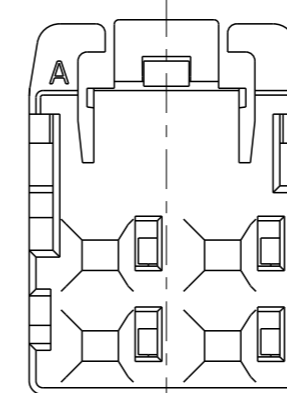
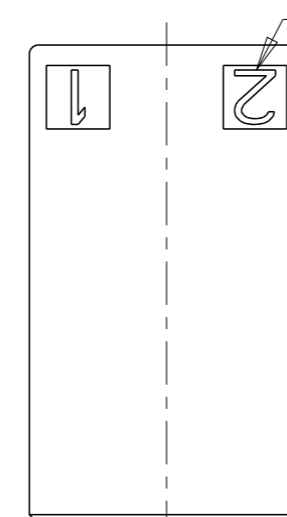
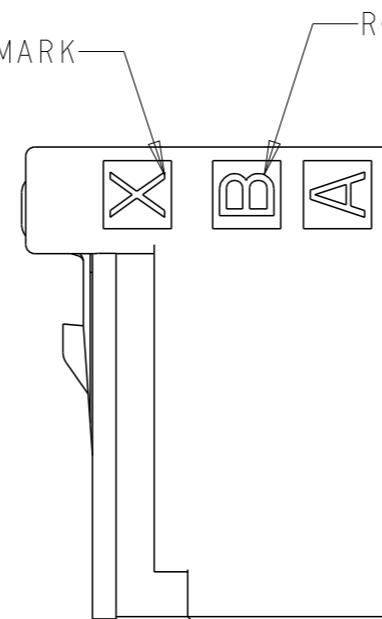
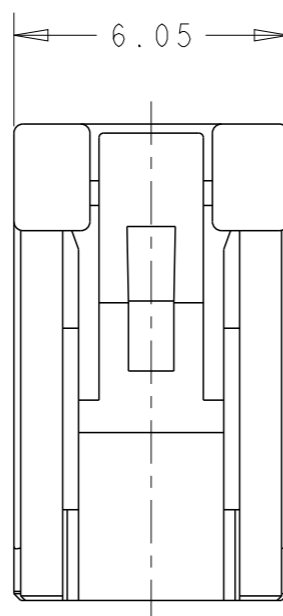
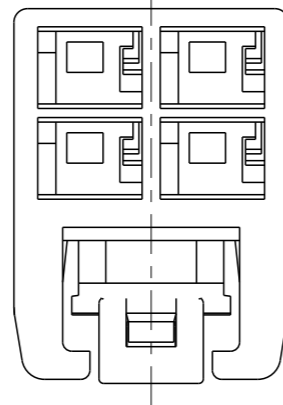
P	LTR	DESCRIPTION	DATE	DWN	APVD
	A	RELEASED	23MAR2021	Y.O	E.I
	B	REVISED	17JUN2021	Y.O	T.S
	C	REVISED	13JAN2022	Y.O	T.S

- MATERIAL: GLASS FILLED THERMO PLASTIC POLYESTER(94V-0), COLOR: SEE TABLE CONTAMINATION Ø1.2 MAX
- INSTRUCTION SHEET: 408-78197
- CIRCUIT NUMBER IS CONSISTED ROW ID AND CIRCUIT ID  
EX: A1, A2, B1, B2  
REFER TO SHEET 5

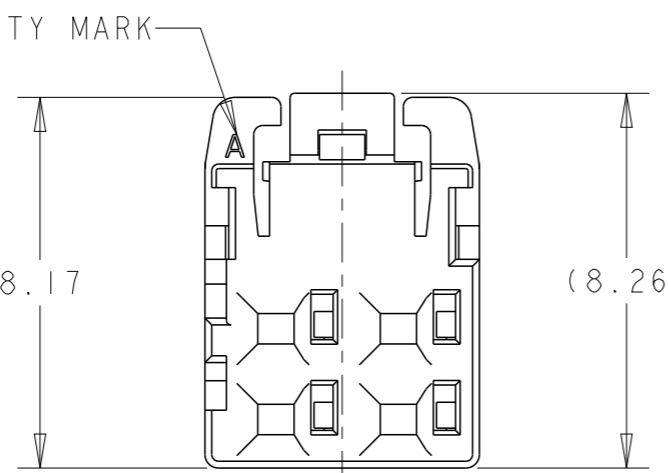


SCALE 4:1

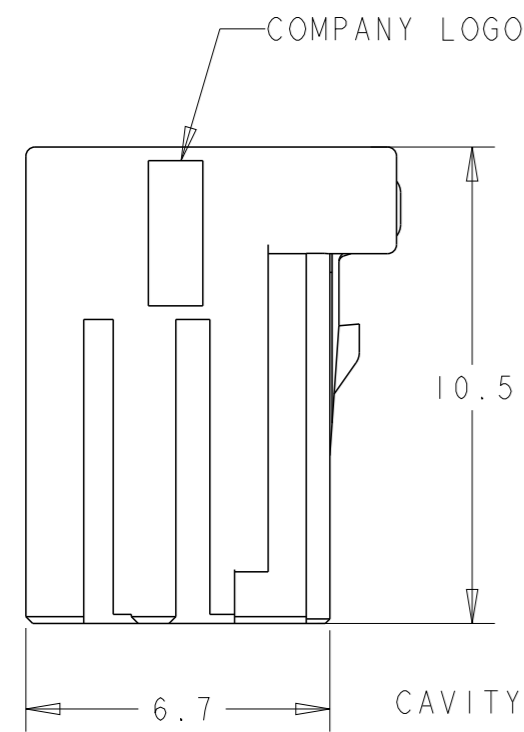
COLOR	KEYING	POSN	PART NUMBER	
BLUE	Y	12	8-2366515-2	
	X		7-2366515-2	
NATURAL	Y		6-2366515-2	
	X		5-2366515-2	
BLACK	Y		4-2366515-2	
	X		3-2366515-2	
BLUE	Y		8	8-2366515-8
	X			7-2366515-8
NATURAL	Y			6-2366515-8
	X			5-2366515-8
BLACK	Y			2-2366515-8
	X			1-2366515-8
BLUE	Y	6	8-2366515-6	
	X		7-2366515-6	
NATURAL	Y		6-2366515-6	
	X		5-2366515-6	
BLACK	Y		2-2366515-6	
	X		1-2366515-6	
BLUE	Y		4	8-2366515-4
	X			7-2366515-4
NATURAL	Y			6-2366515-4
	X			5-2366515-4
BLACK	Y			2-2366515-4
	X			1-2366515-4



2-2366515-4  
Y KEY 4POSN



1-2366515-4  
X KEY 4POSN



THIS DRAWING IS A CONTROLLED DOCUMENT.

DIMENSIONS:	TOLERANCES UNLESS OTHERWISE SPECIFIED:
mm	±0.5, ±3°
0 PLC	±
1 PLC	±0.5
2 PLC	±0.13
3 PLC	±0.013
4 PLC	±0.0001
ANGLES	±
FINISH	-

DWN	Y. OKADA	12MAY2020
CHK	T. SHIMOYASU	12MAY2020
APVD	E. IKEMATSU	12MAY2020
PRODUCT SPEC	108-140257	
APPLICATION SPEC	-	
WEIGHT	-	
CUSTOMER DRAWING	-	

**TE** TE Connectivity

NAME: RECEPTACLE HOUSING, D1000 SLIM, DYNAMIC

SIZE	CAGE CODE	DRAWING NO	RESTRICTED TO
A3	00779	C-2366515	-

SCALE 6:1 SHEET 1 OF 5 REV C

REVISIONS

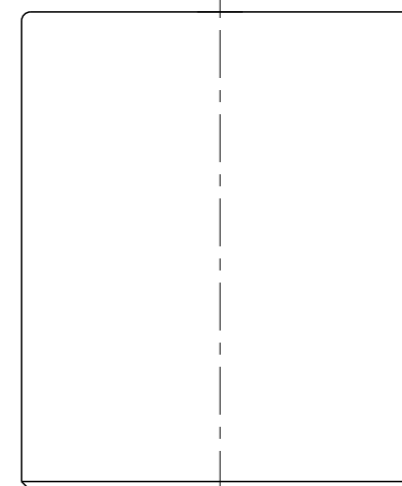
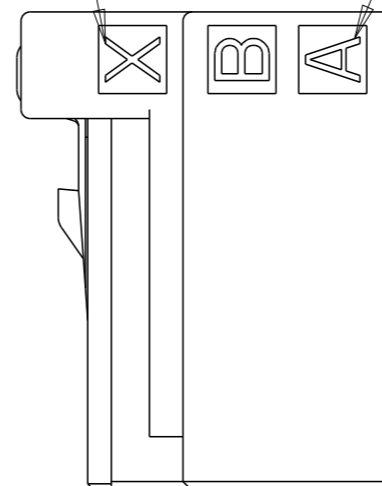
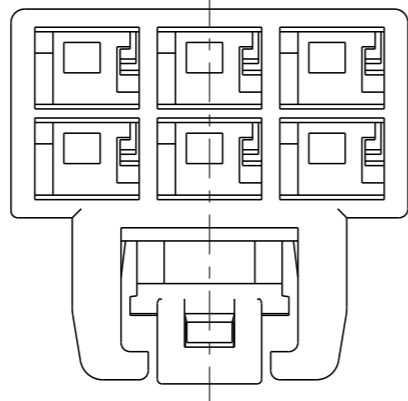
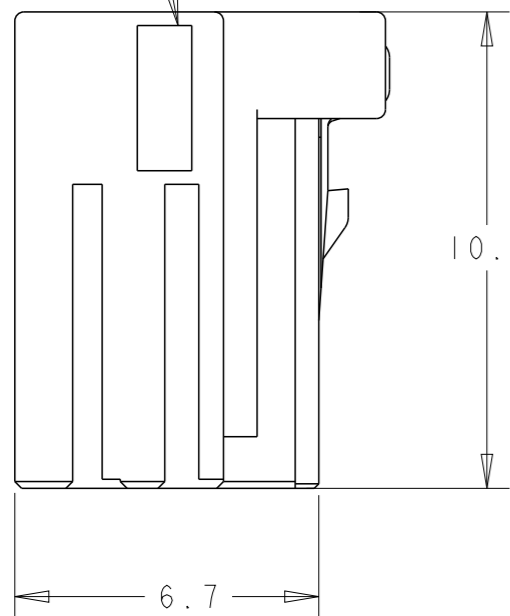
P	LTR	DESCRIPTION	DATE	DWN	APVD
	-	SEE SHEET 1	-	-	-

COMPANY LOGO

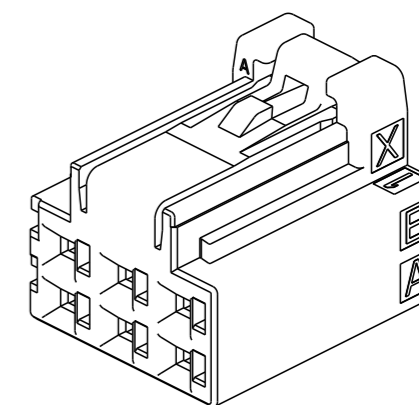
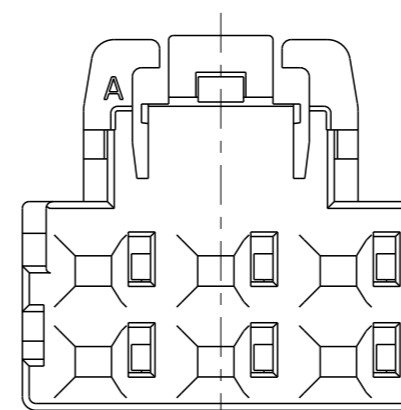
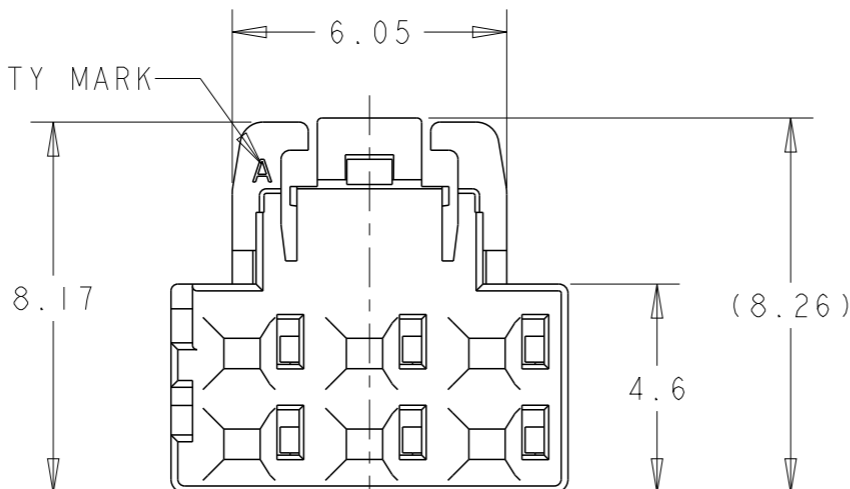
CIRCUIT ID

KEYING MARK

ROW ID



CAVITY MARK



SCALE 4:1

2-2366515-6  
Y KEY 6POSN

1-2366515-6  
X KEY 6POSN

THIS DRAWING IS A CONTROLLED DOCUMENT.

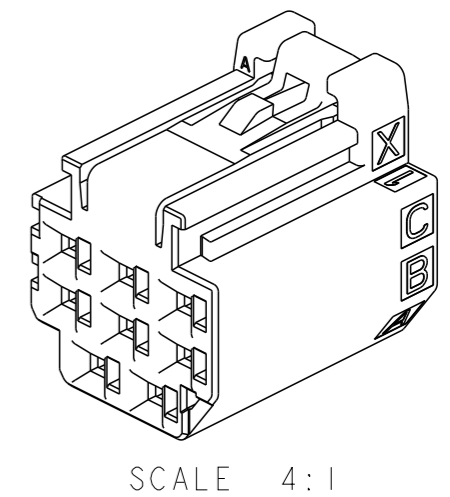
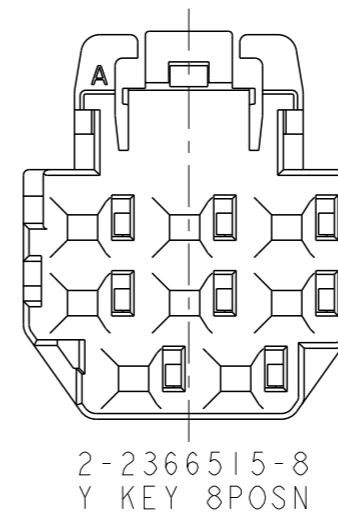
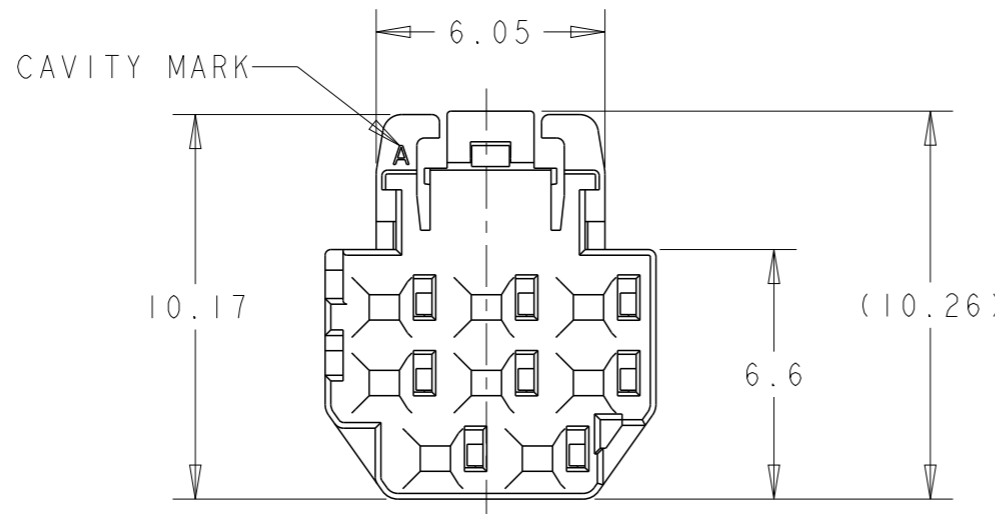
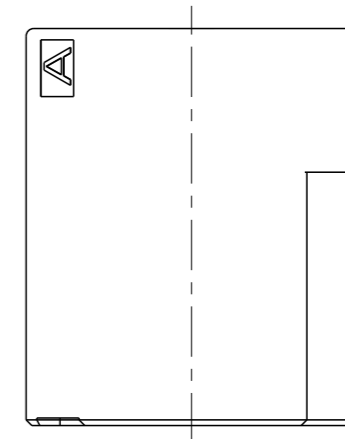
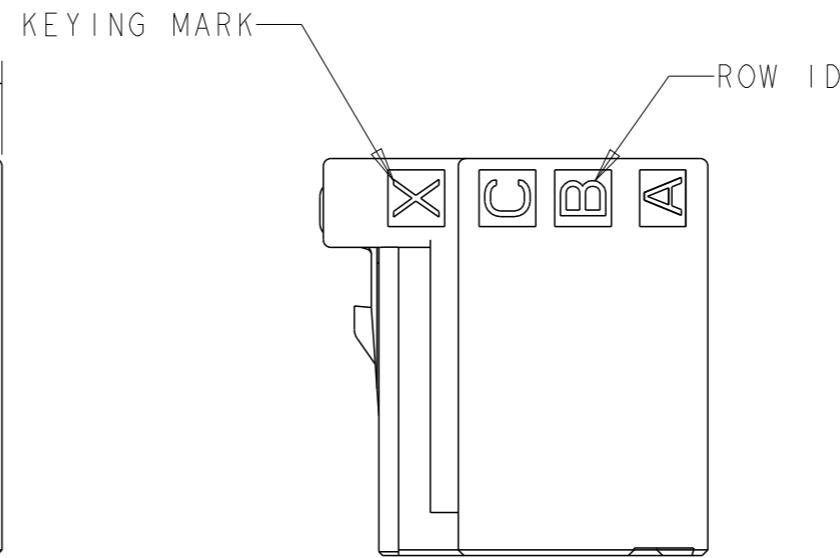
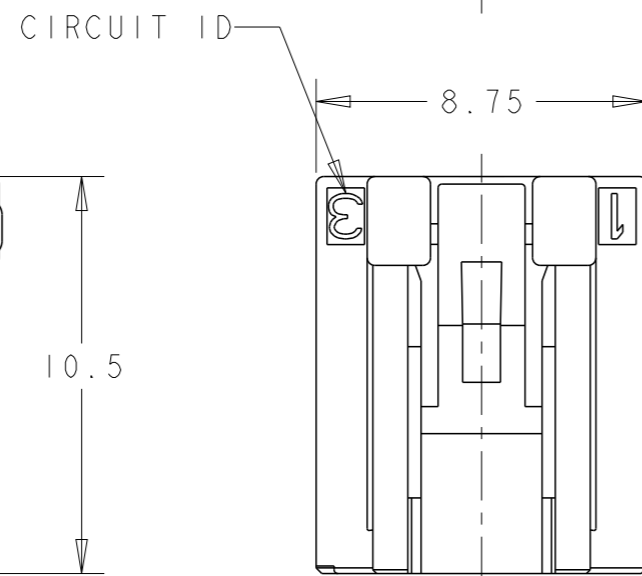
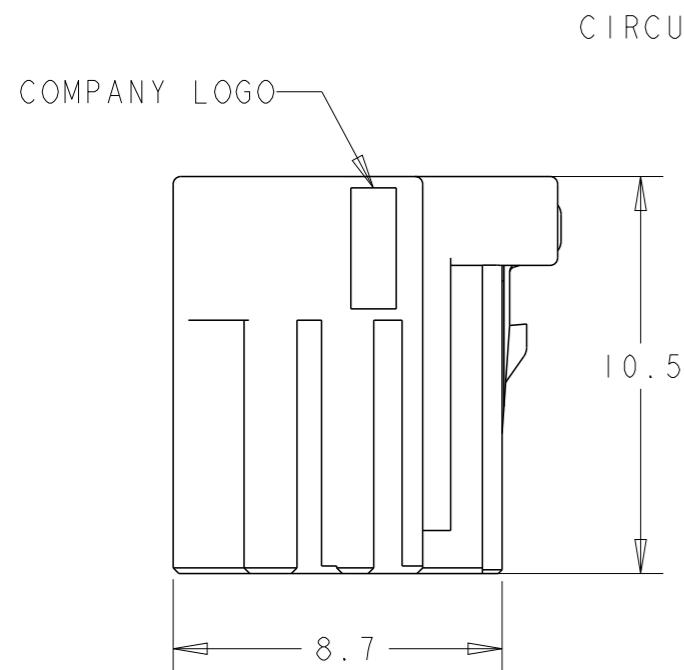
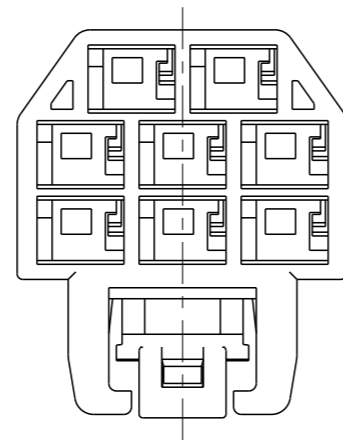
DIMENSIONS: mm	
MATERIAL SEE NOTE	

TOLERANCES UNLESS OTHERWISE SPECIFIED: ±0.5, ±3°	
0-PLC	±
1-PLC	±0.5
2-PLC	±0.13
3-PLC	±0.013
4-PLC	±0.0001
ANGLES	±
FINISH	-

DWN	Y. OKADA	12MAY2020
CHK	T. SHIMOYASU	12MAY2020
APVD	E. IKEMATSU	12MAY2020
PRODUCT SPEC	108-140257	
APPLICATION SPEC	-	
WEIGHT	-	
CUSTOMER DRAWING		

		NAME		RESTRICTED TO
		RECEPTACLE HOUSING, D1000 SLIM, DYNAMIC		
SIZE	CAGE CODE	DRAWING NO	-	
A3	00779	C-2366515	-	
SCALE 6:1		SHEET 2 OF 5	REV C	

P	LTR	DESCRIPTION	DATE	DWN	APVD
-	-	SEE SHEET 1	-	-	-



1-2366515-8  
X KEY 8POSN

THIS DRAWING IS A CONTROLLED DOCUMENT.

DIMENSIONS:	
mm	

TOLERANCES UNLESS OTHERWISE SPECIFIED:	
±0.5, ±3°	
0-PLC	±
1-PLC	±0.5
2-PLC	±0.13
3-PLC	±0.013
4-PLC	±0.0001
ANGLES	±
FINISH	-

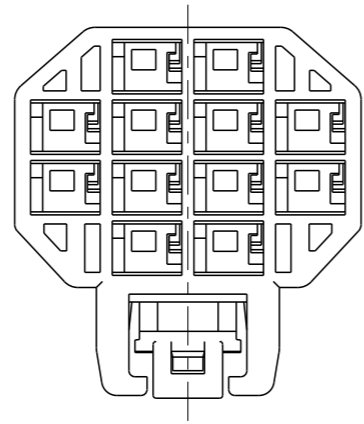
MATERIAL  
SEE NOTE

DWN	Y. OKADA	12MAY2020
CHK	T. SHIMOYASU	12MAY2020
APVD	E. IKEMATSU	12MAY2020
PRODUCT SPEC	108-140257	
APPLICATION SPEC	-	
WEIGHT	-	
CUSTOMER DRAWING		

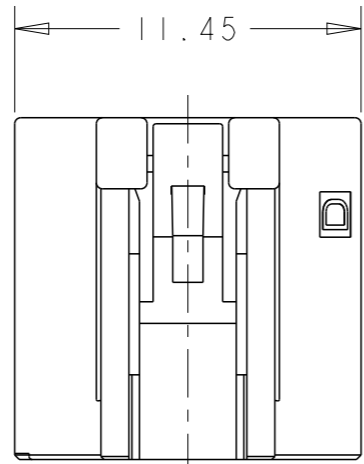
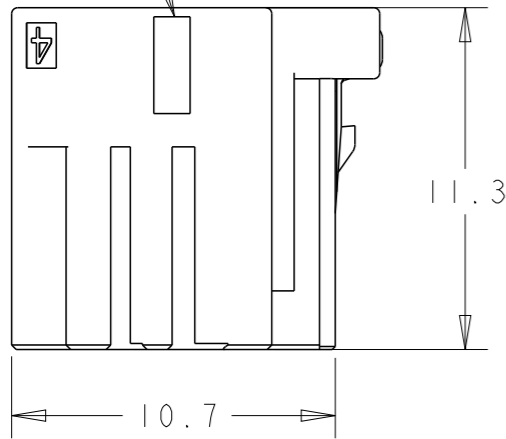
		NAME		RESTRICTED TO
		RECEPTACLE HOUSING, D1000 SLIM, DYNAMIC		
SIZE	CAGE CODE	DRAWING NO	-	
A3	00779	C-2366515	-	
SCALE		SHEET	OF	REV
5:1		3	5	C

REVISIONS

P	LTR	DESCRIPTION	DATE	DWN	APVD
	-	SEE SHEET 1	-	-	-



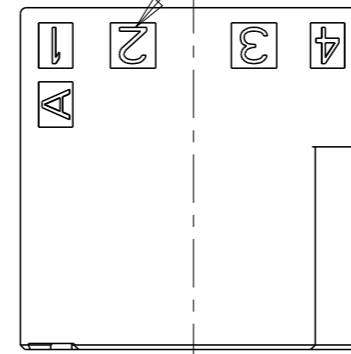
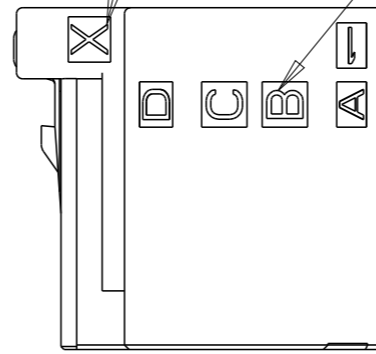
COMPANY LOGO



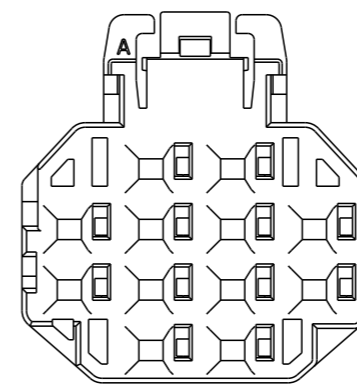
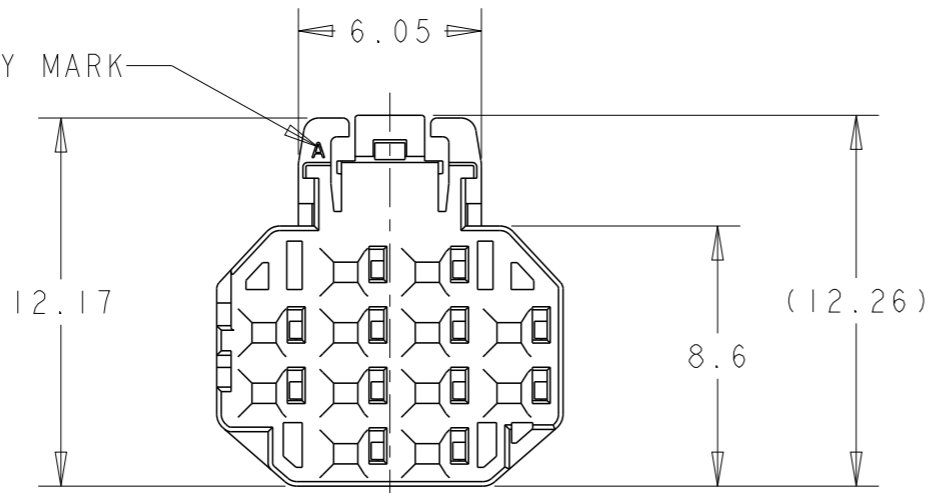
KEYING MARK

ROW ID

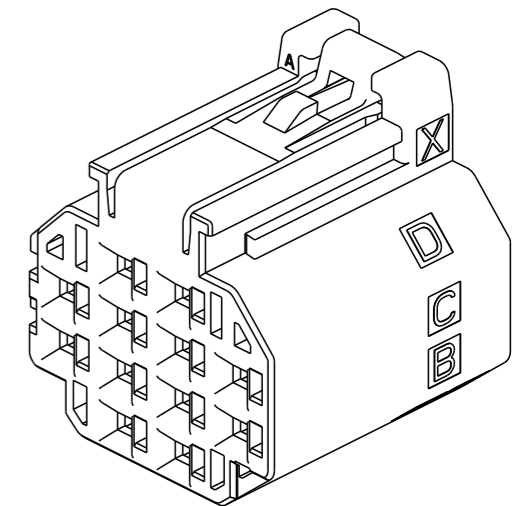
CIRCUIT ID



CAVITY MARK



4-2366515-2  
Y KEY 12POSN



3-2366515-2  
X KEY 12POSN

THIS DRAWING IS A CONTROLLED DOCUMENT.

DIMENSIONS: mm	TOLERANCES UNLESS OTHERWISE SPECIFIED: ±0.5, ±3°
	0-PLC ±
	1-PLC ±0.5
	2-PLC ±0.13
	3-PLC ±0.013
	4-PLC ±0.0001
	ANGLES ±
MATERIAL SEE NOTE	FINISH -

DWN Y. OKADA	12MAY2020
CHK T. SHIMOYASU	12MAY2020
APVD E. IKEMATSU	12MAY2020
PRODUCT SPEC	108-140257
APPLICATION SPEC	-
WEIGHT	-
CUSTOMER DRAWING	



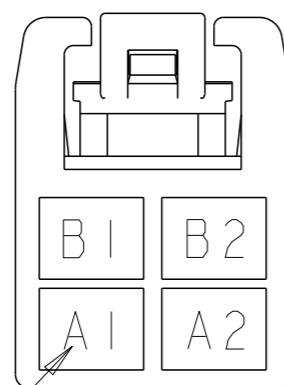
NAME  
RECEPTACLE HOUSING,  
D1000 SLIM, DYNAMIC

SIZE A3	CAGE CODE 00779	DRAWING NO C-2366515	RESTRICTED TO -
------------	--------------------	-------------------------	--------------------

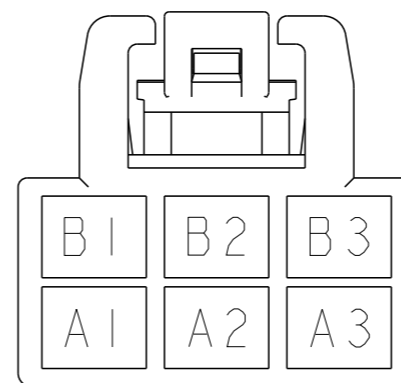
SCALE 4:1	SHEET 4 OF 5	REV C
--------------	-----------------	----------

REVISIONS

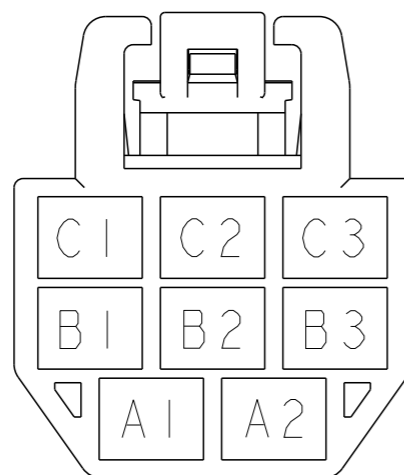
P	LTR	DESCRIPTION	DATE	DWN	APVD
	-	SEE SHEET 1	-	-	-



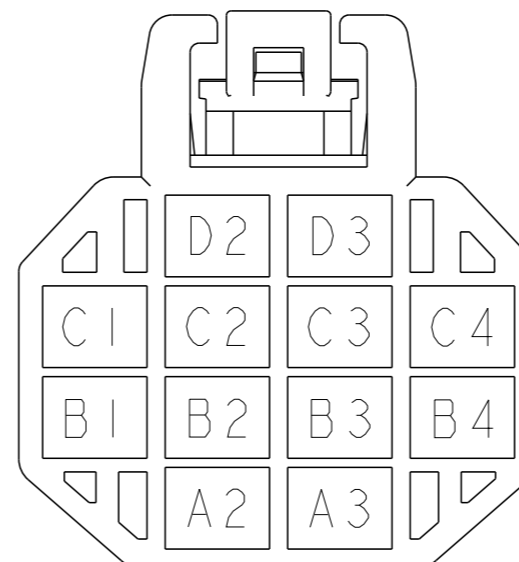
CIRCUIT NUMBER 4 POSN



6 POSN



8 POSN



12 POSN

THIS DRAWING IS A CONTROLLED DOCUMENT.		DWN Y. OKADA 12MAY2020		
DIMENSIONS: mm		CHK T. SHIMOYASU 12MAY2020		
		APVD E. IKEMATSU 12MAY2020	NAME RECEPTACLE HOUSING, D1000 SLIM, DYNAMIC	
TOLERANCES UNLESS OTHERWISE SPECIFIED: ± 0.5, ± 3°		PRODUCT SPEC 108-140257	RESTRICTED TO	
MATERIAL SEE NOTE		APPLICATION SPEC -	SIZE A3	CAGE CODE 00779
FINISH -		WEIGHT -	DRAWING NO C-2366515	SCALE 6:1
-		CUSTOMER DRAWING	SHEET 5 OF 5	REV C

单击下面可查看定价，库存，交付和生命周期等信息

[>>TE Connectivity\(泰科\)](#)