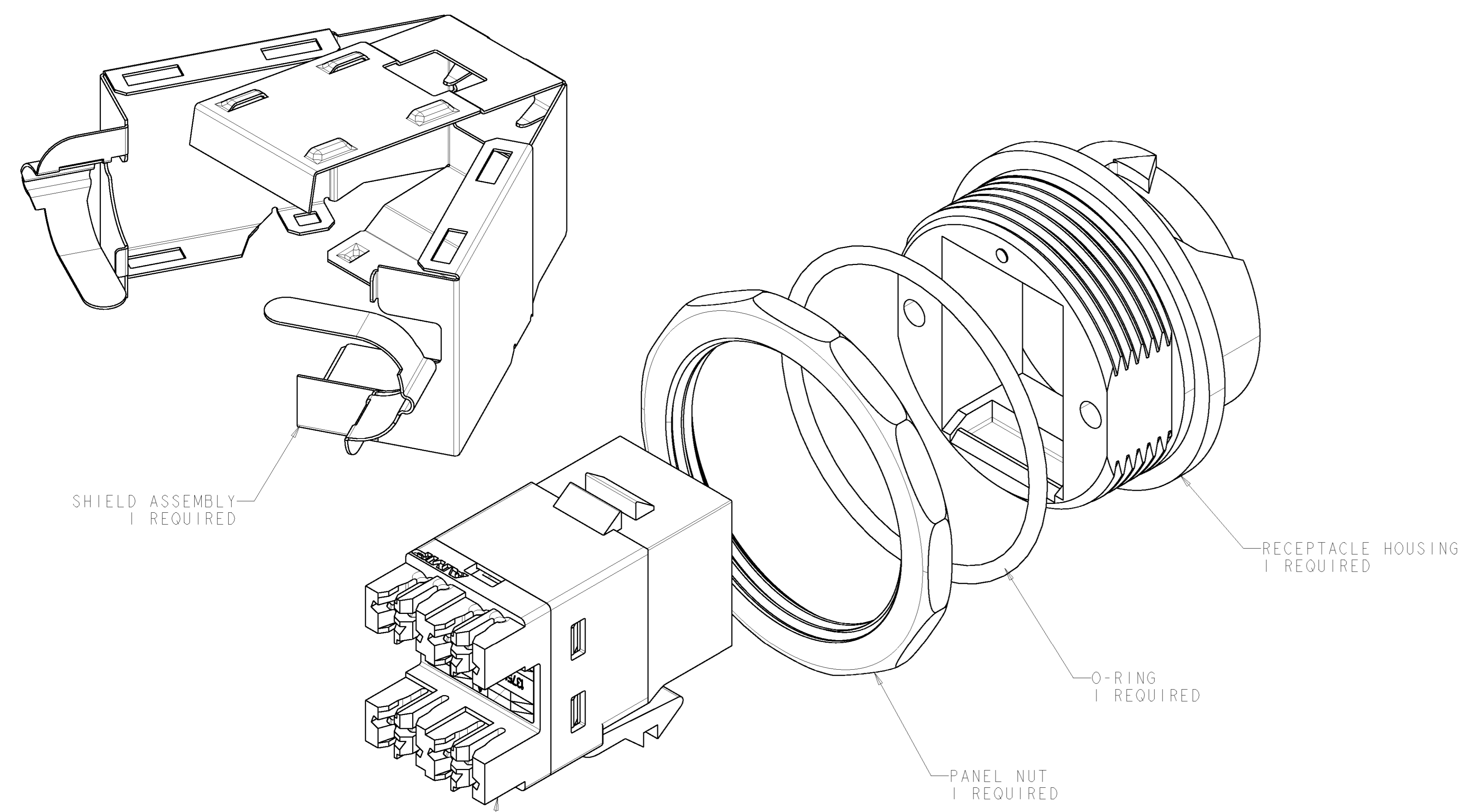
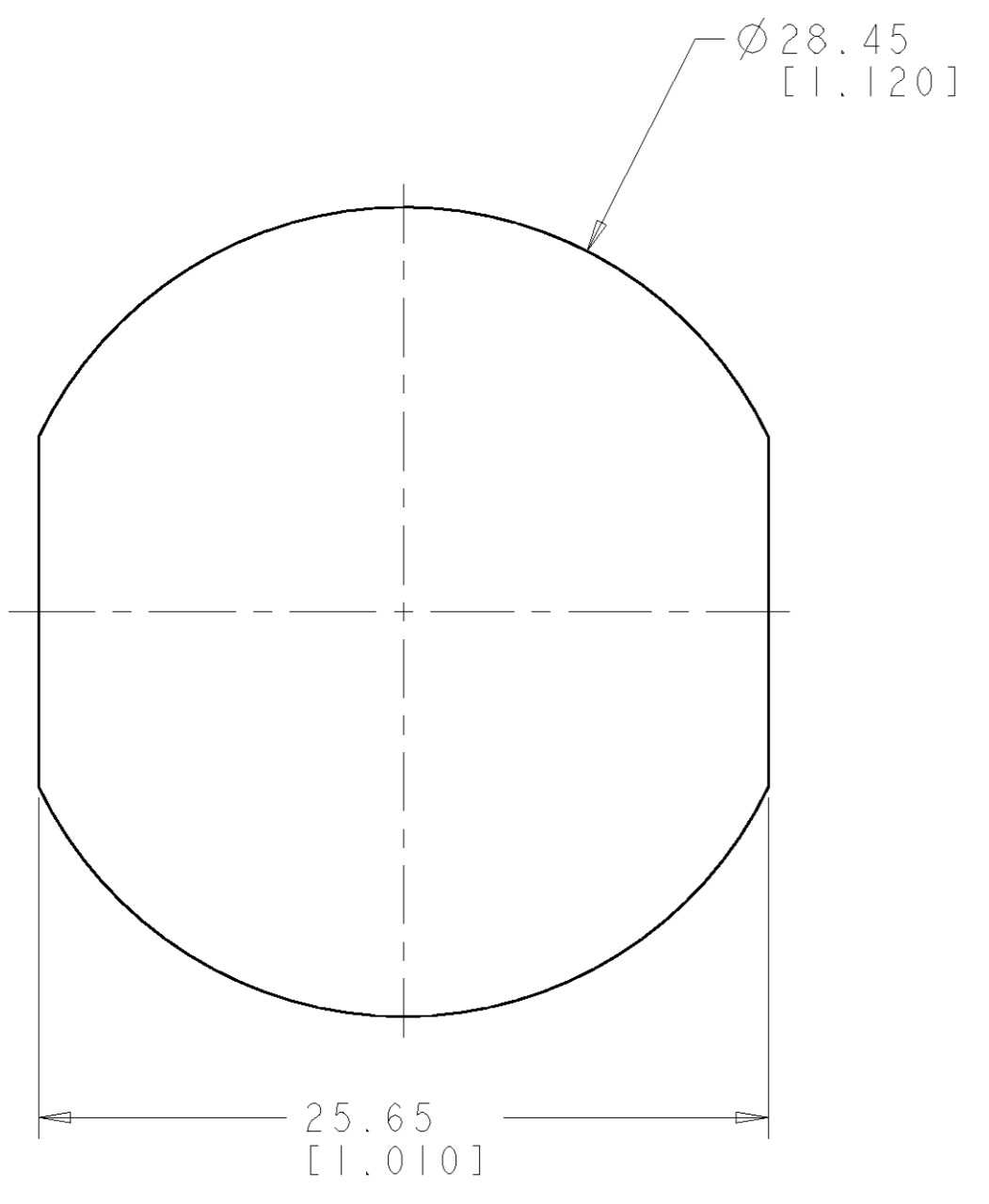


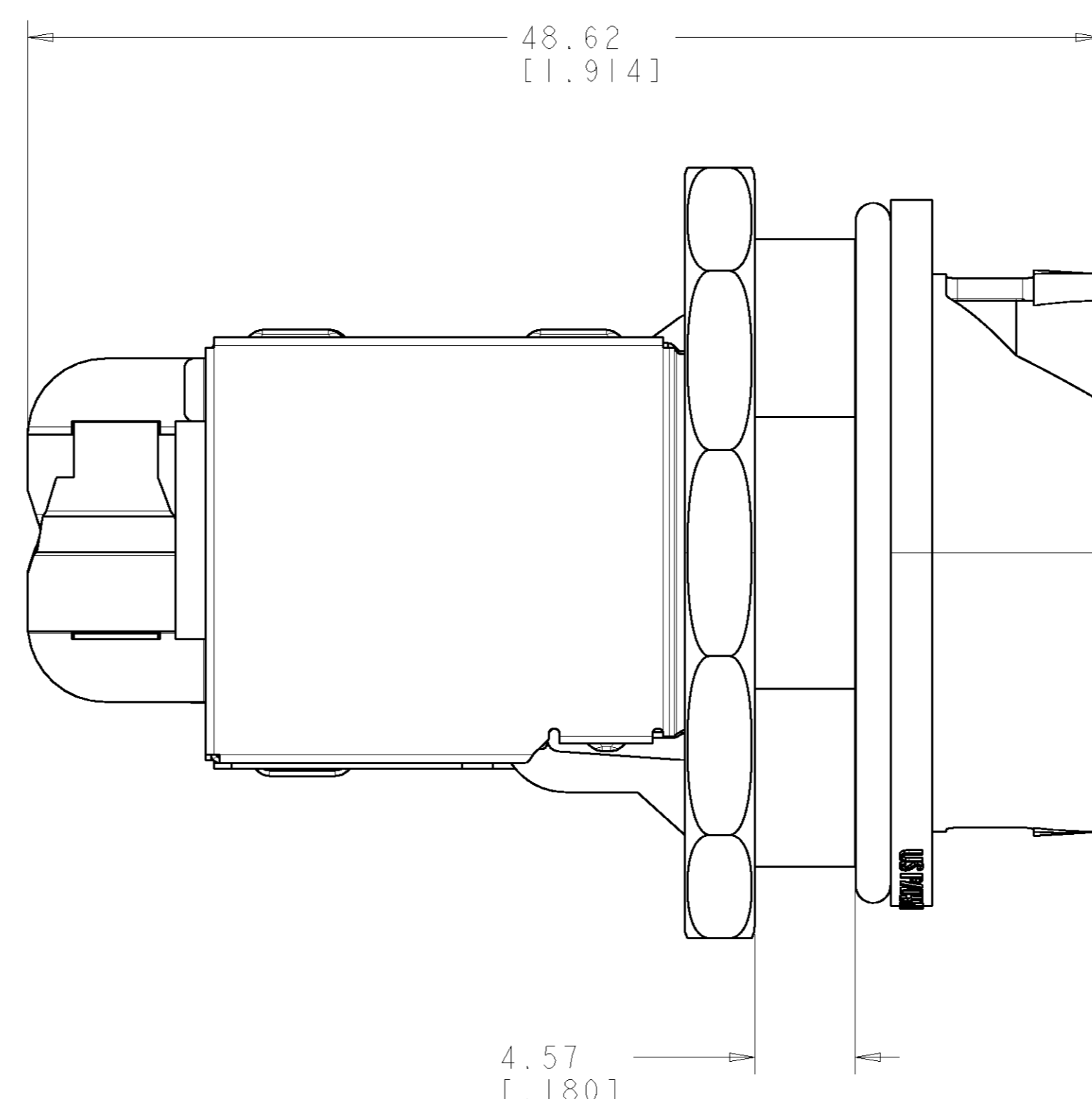
LOC	QTY	REV	DESCRIPTION	DATE	DWN	APVD
HM	00	A	RLSD - NSD03-078	21NOV03	LH	CD
		B	REV: EC 0840-0023-04	17FEB04	GG	MD



SL 110
 CAT 5E JACK
 PART NUMBER 1375189-1
 5 1 REQUIRED



RECOMMENDED PANEL CUTOUT
 SCALE 4:1 3



4.57 [0.180]
 MAXIMUM RECOMMENDED
 PANEL THICKNESS

△ MATERIAL: JACK HOUSING - POLYPHENYLENE OXIDE, 94V-0 RATED.
 ARRAY TRAY - PBT POLYESTER.
 110 BLOCK - POLYCARBONATE.
 JACK CONTACTS - BERYLLIUM COPPER, PLATED WITH 1.27µm [0.00050] MINIMUM THICK GOLD IN LOCALIZED AREA AND 3.81µm [0.00150] MINIMUM THICK TIN-LEAD IN SOLDER AREA OVER 1.27µm [0.00050] MINIMUM THICK NICKEL UNDERPLATE.
 SHIELD - COPPER ZINC ALLOY 260 PREPLATED WITH BRIGHT NICKEL.
 IDC TERMINALS - PHOSPHOROUS BRONZE, PLATED WITH 3.81µm [0.0015] MINIMUM THICK BRIGHT TIN-LEAD OVER 1.27µm [0.0005] MINIMUM THICK NICKEL UNDERPLATE.
 RECEPTACLE HOUSING - PBT, 94V-0 RATED.
 O-RING SEALS - BUNA.
 PANEL NUT - NICKEL PLATED BRASS.

2. SL 110 JACK WILL TERMINATE 22-24 AWG SOLID CONDUCTORS AND 24 AWG STRANDED CONDUCTORS, 1.14 [0.045] MAXIMUM INSULATION DIAMETER.

- △ 3 SUGGESTED PANEL CUTOUT OPENING.
- △ 4 PACKAGED ONE MODULAR JACK, ONE SHIELD, ONE O-RING, ONE ETHERSEAL HOUSING, AND ONE PANEL NUT, PER POLYBAG. KIT SHIPPED NOT ASSEMBLED.
- △ 5 REFER TO INSTRUCTION SHEET 408-8602 FOR JACK TERMINATION ASSEMBLY INSTRUCTIONS AND 408-8875 FOR ETHERSEAL RECEPTACLE KIT ASSEMBLY INSTRUCTIONS.

BLACK	4 1479564-2
COLOR	PART NUMBER

<small>THIS DRAWING IS UNPUBLISHED. RELEASED FOR PUBLICATION. ALL RIGHTS RESERVED. THIS IS SUBJECT TO CHANGE. THE CUSTOMER ASSUMES RESPONSIBILITY FOR THE CORRECT IDENTIFICATION OF PARTS AND COMPONENTS. THE CUSTOMER SHALL BE RESPONSIBLE FOR THE CORRECT IDENTIFICATION OF PARTS AND COMPONENTS.</small>		DWN	L HALL	19NOV03	tyco Tyco Electronics Harrisburg, PA 17105-3608
DIMENSIONS: MM [INCHES]		CHK	C DOOLEY	21NOV03	
TOLERANCES UNLESS OTHERWISE SPECIFIED: 0 PLC ± 1 PLC ± 2 PLC ± 3 PLC ± 4 PLC ± ANGLES ±		APVD	C DOOLEY	21NOV03	NAME
MATERIAL:		PRODUCT SPEC		KIT, ETHERSEAL, SHIELDED, CAT 5E SL 110 JACK, FRONT MOUNT, BLACK	
FINISH:		APPLICATION SPEC		SIZE CAGE CODE DRAWING NO RESTRICTED TO	
WEIGHT:		CUSTOMER DRAWING		A 00779 C=1479564	
SCALE 4:1		SHEET 1 OF 1		REV B	

单击下面可查看定价，库存，交付和生命周期等信息

[>>TE Connectivity\(泰科\)](#)