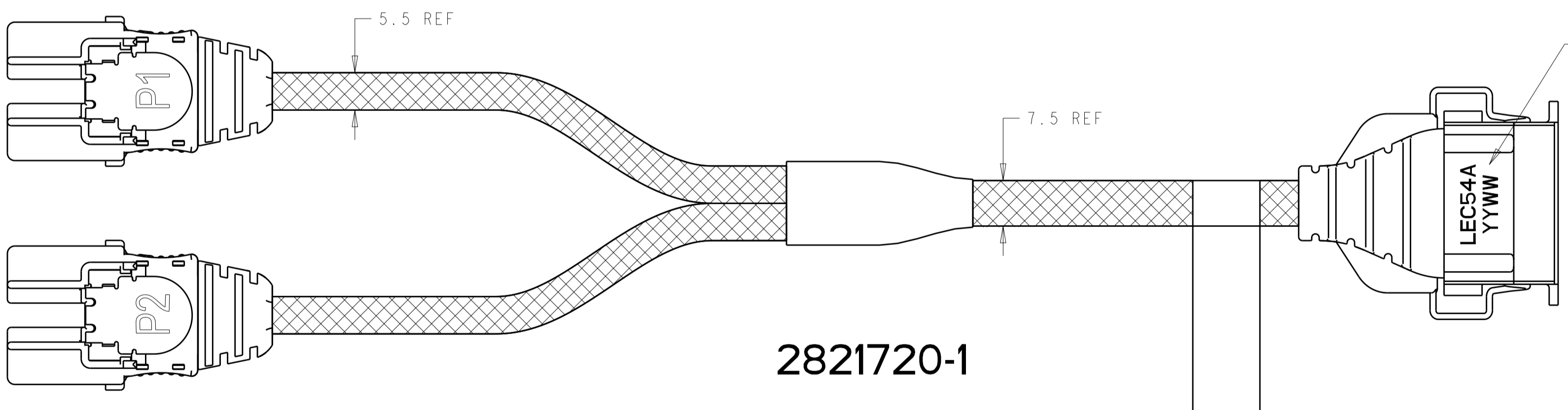
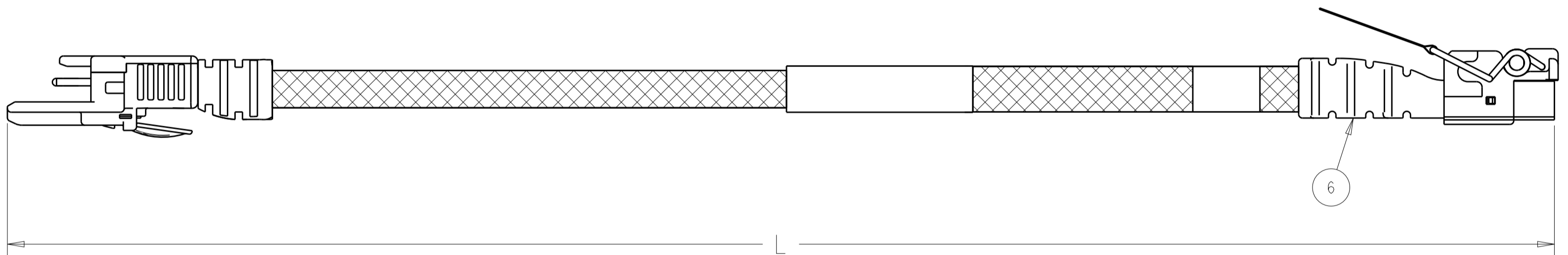
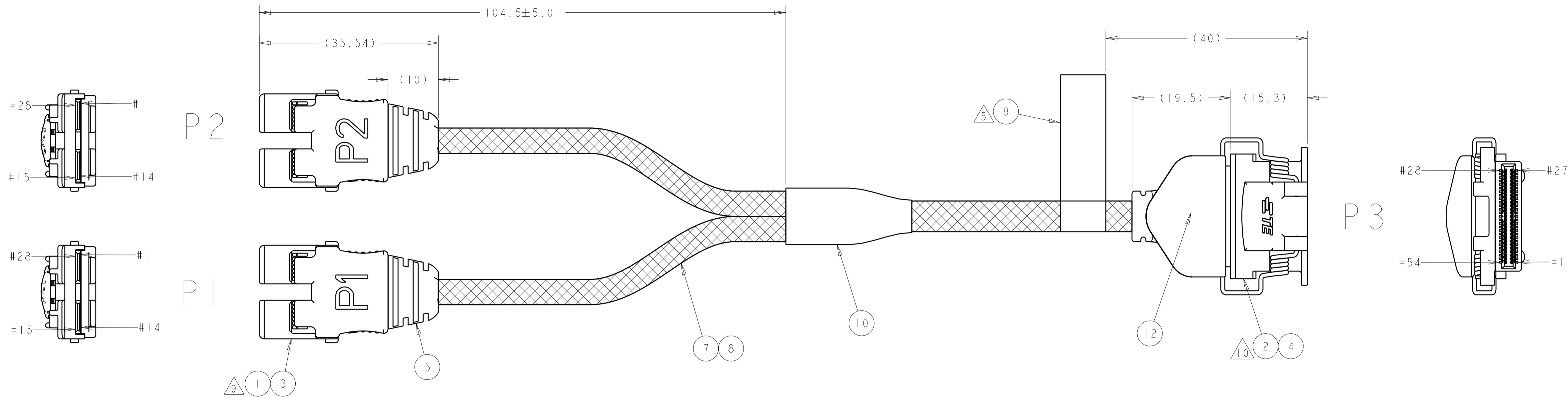
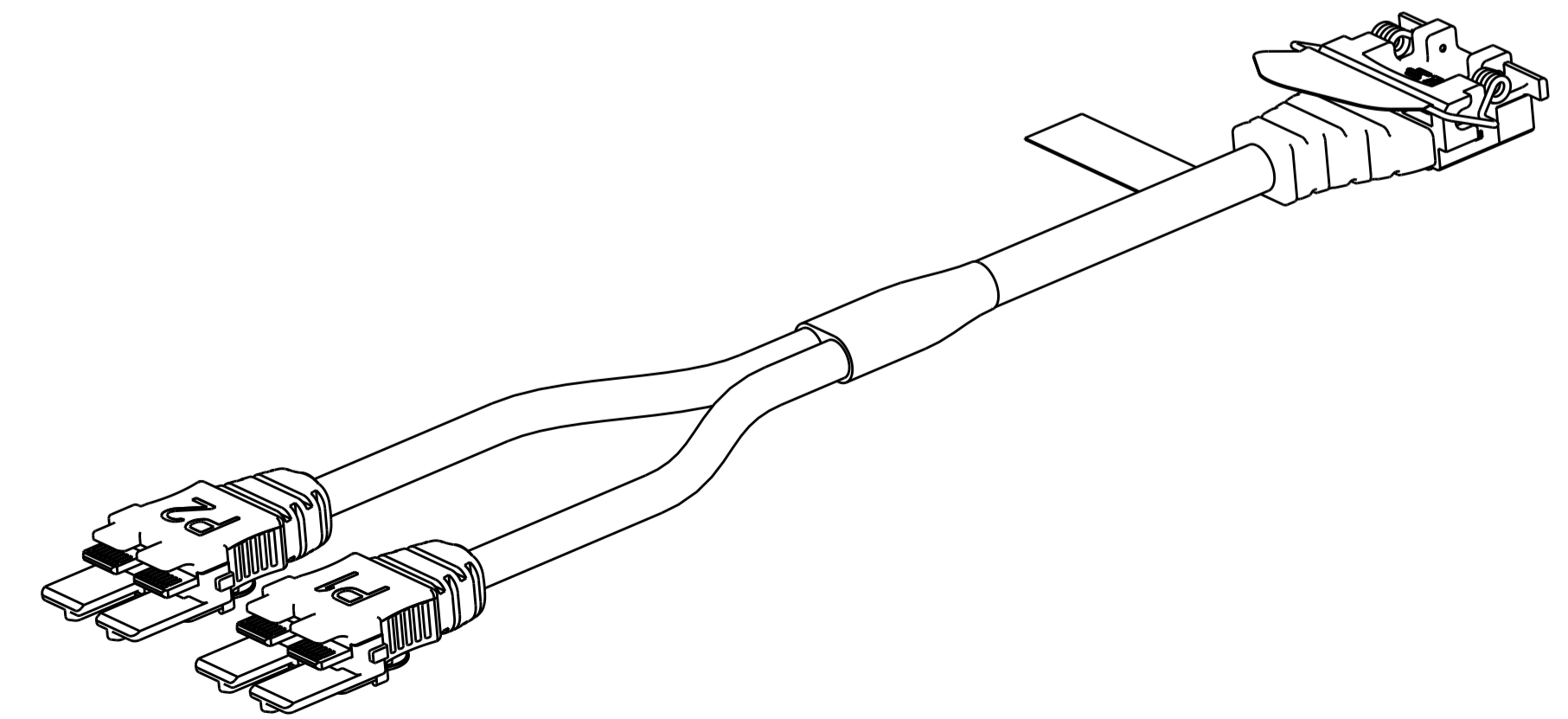


REVISIONS				
P	LTR	DESCRIPTION	DATE	OWN APVD
A		RELEASED	03APR2017	GL CP
B		REVISED PER ECO-17-004604	20APR2017	CP GL



△	WRAP (SHEET 2)	285±5	-	2821720-3
△	WRAP (SHEET 2)	405±5	H74958-004	2821720-2
△	FLAG (SHEET 1)	208±5	H82319-004	2821720-1
	LABEL TYPE	L	INTEL PART NO	TE PART NO

1	1	1	PULL TAB.	12
1	1	-	LABEL, WRAP AROUND	11
AR	AR	AR	ACETATE TAPE, BLACK	10
-	-	1	LABEL, FLAG	9
AR	AR	AR	SLEEVING, EXPANDABLE	8
AR	AR	AR	85 OHM TWINAX CABLE, 30AWG 25G TURBO TWIN™	7
1	1	1	OVERMOLDED STRAIN RELIEF, LECA	6
2	2	2	OVERMOLDED STRAIN RELIEF, IFP	5
1	1	1	DUST COVER, LECA (NOT SHOWN)	4
2	2	2	DUST COVER, IFP (NOT SHOWN)	3
1	1	1	LEC 54A RECPT, 54 POSN	2
2	2	2	IFP PLUG, 28 POSN	1
-3	-2	-1	DESCRIPTION	ITEM NO



THIS DRAWING IS A CONTROLLED DOCUMENT. DWN T. SMITH 08JUN2016
 CHK C. POGASH 08JUN2016

STE TE Connectivity

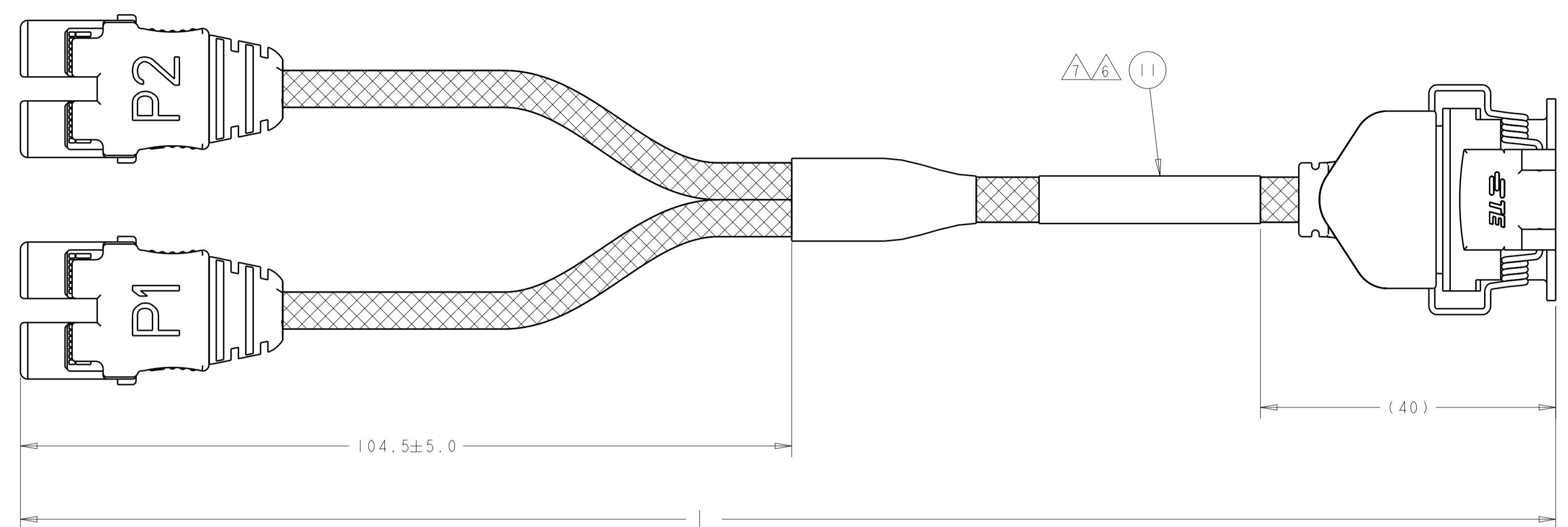
NAME: 1FP ASSEMBLY, TYPE A, STRAIGHT EXIT 2-PORT, INVERTED.

SIZE: A1 CAGE CODE: - DRAWING NO: 2821720 RESTRICTED TO: -

MATERIAL: - FINISH: - WEIGHT: - CUSTOMER DRAWING: - SCALE: 2:1 SHEET 1 OF 2 REV B

REVISIONS				
P.	LTN.	DESCRIPTION	DATE	APVD.
		SEE SHEET 1		

CABLE PINOUT				
PAIR	PIN NAME	P1	P2	P3
GROUND BUS	-	-	-	-
1	HF10_RX_DN(1)	2	-	2
	HF10_RX_DP(1)	3	-	3
GROUND BUS	-	4	-	4
2	HF10_RX_DN(3)	5	-	5
	HF10_RX_DP(3)	6	-	6
GROUND BUS	-	7	1	7
3	HF11_RX_DN(1)	-	2	8
	HF11_RX_DP(1)	-	3	9
GROUND BUS	-	-	4	10
4	HF11_RX_DN(3)	-	5	11
	HF11_RX_DP(3)	-	6	12
GROUND BUS	-	-	7	13
GROUND BUS	-	-	-	14
GROUND BUS	-	8	-	15
5	HF10_TX_DP(4)	9	-	16
	HF10_TX_DN(4)	10	-	17
GROUND BUS	-	11	-	18
6	HF10_TX_DP(2)	12	-	19
	HF10_TX_DN(2)	13	-	20
GROUND BUS	-	14	8	21
7	HF11_TX_DP(4)	-	9	22
	HF11_TX_DN(4)	-	10	23
GROUND BUS	-	-	11	24
8	HF11_TX_DP(2)	-	12	25
	HF11_TX_DN(2)	-	13	26
GROUND BUS	-	-	14	27
GROUND BUS	-	-	15	28
9	HF11_TX_DN(1)	-	16	29
	HF11_TX_DP(1)	-	17	30
GROUND BUS	-	-	18	31
10	HF11_TX_DN(3)	-	19	32
	HF11_TX_DP(3)	-	20	33
GROUND BUS	-	15	21	34
11	HF10_TX_DN(1)	16	-	35
	HF10_TX_DP(1)	17	-	36
GROUND BUS	-	18	-	37
12	HF10_TX_DN(3)	19	-	38
	HF10_TX_DP(3)	20	-	39
GROUND BUS	-	21	-	40
GROUND BUS	-	-	-	41
GROUND BUS	-	-	-	42
13	HF11_RX_DP(4)	-	23	43
	HF11_RX_DN(4)	-	24	44
GROUND BUS	-	-	25	45
14	HF11_RX_DP(2)	-	26	46
	HF11_RX_DN(2)	-	27	47
GROUND BUS	-	22	28	48
15	HF10_RX_DP(4)	23	-	49
	HF10_RX_DN(4)	24	-	50
GROUND BUS	-	25	-	51
16	HF10_RX_DP(2)	26	-	52
	HF10_RX_DN(2)	27	-	53
GROUND BUS	-	28	-	54



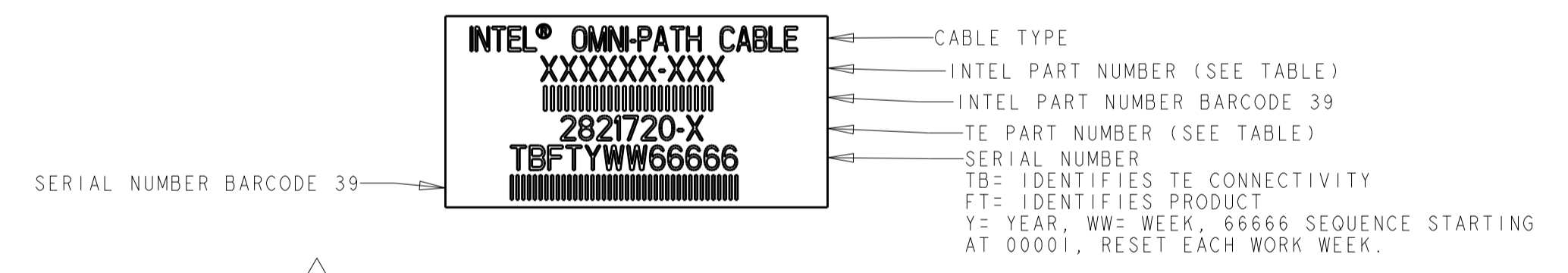
**2821720-2, -3
WRAP LABEL
REQUIREMENT
ALL ASSEMBLY REQUIREMENTS
SAME AS -1 EXCEPT FOR
LABEL**

- THIS ASSEMBLY CONFORMS TO INTEL PART NO. (SEE TABLE).
- EACH ASSEMBLY TESTED FOR OPENS, SHORTS AND SIGNAL INTEGRITY.
- ROHS AND REACH COMPLIANCE; PRODUCT AND PROCESSING MEETS THE REQUIREMENTS OF TE SPECIFICATION TEC-138-702.
- EACH ASSEMBLY PACKAGED IN AN ANTISTATIC BAG.

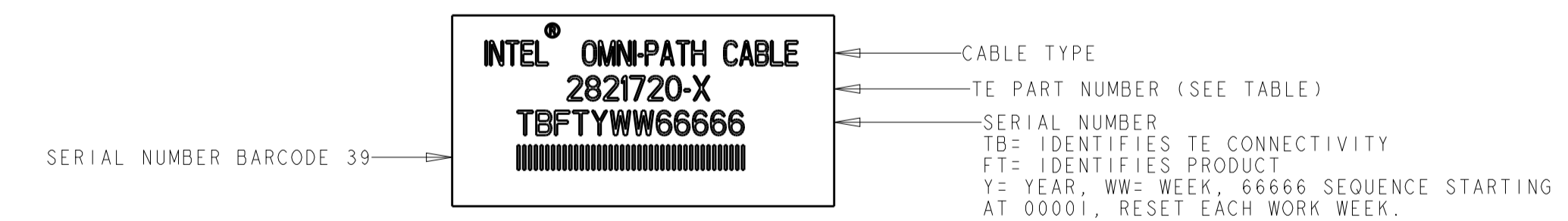
△ LABEL INFORMATION (ITEM 9): 2821720-1



△ LABEL INFORMATION (ITEM 11): 2821720-2



△ LABEL INFORMATION (ITEM 11): 2821720-3



8. CABLE ASSEMBLY BUILT IN ACCORDANCE WITH INTEL DESIGN GUIDE 1.0

△ 9. FINISH (CONTACT PADS): 30µIN MINIMUM GOLD PER TE SPEC 112-162-1 OVER 100µIN MINIMUM NICKEL PER TE SPEC 112-25-2.

△ 10. FINISH: 50µIN MINIMUM GOLD PER TE SPEC 112-162-5, IN LOCALIZED GOLD PLATE AREA, OVER 50µIN MINIMUM NICKEL PER TE SPEC 112-25-2 ON ENTIRE STOCK.

△ 11. CABLE PART #: Q23B2LF023
CABLE SPEC: 104-1587

THIS DRAWING IS A CONTROLLED DOCUMENT.		OWN: T. SMITH 08JUN2016	 TE Connectivity
		CHK: C. POGASH 08JUN2016	
DIMENSIONS:	TOLERANCES UNLESS OTHERWISE SPECIFIED:	APVD:	NAME: 1FP ASSEMBLY, TYPE A, STRAIGHT EXIT 2-PORT, INVERTED.
mm	0 PLC ±	PRODUCT SPEC	APPLICATION SPEC
	1 PLC ±	APPLIC. SPEC	RESTRICTED TO
	2 PLC ±	WEIGHT	SCALE: 1:1 SHEET 2 OF 2 REV B
	3 PLC ±	CUSTOMER DRAWING	
	4 PLC ±		
	ANGLES		
MATERIAL	FINISH		

单击下面可查看定价，库存，交付和生命周期等信息

[>>TE Connectivity\(泰科\)](#)