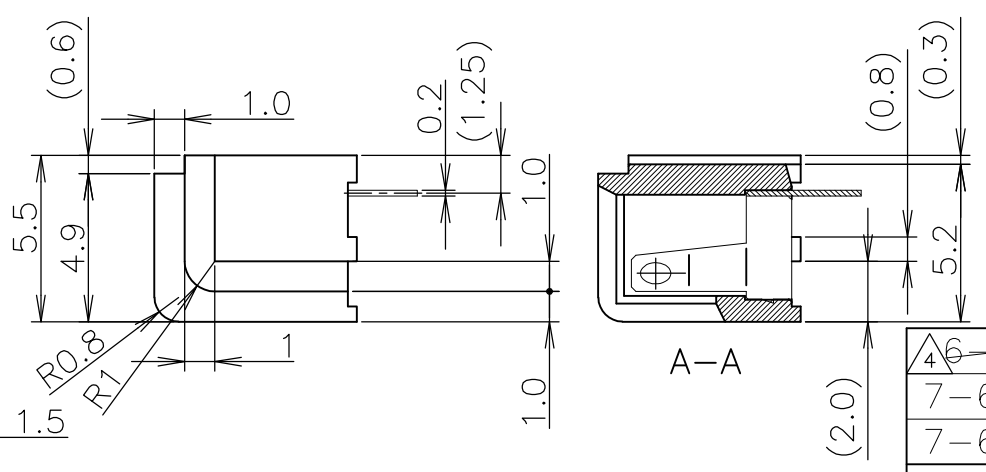
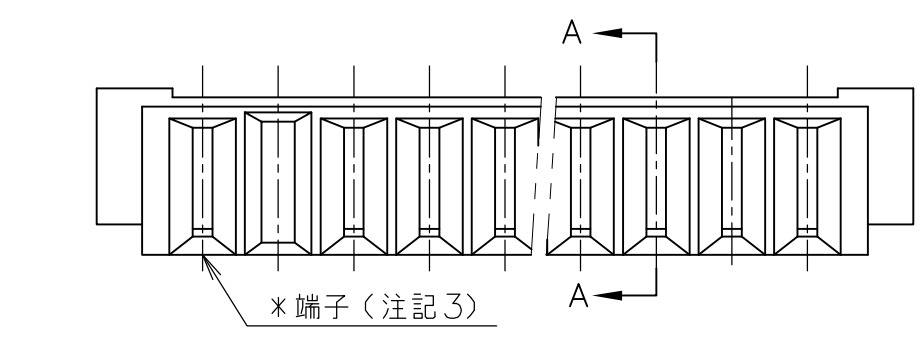
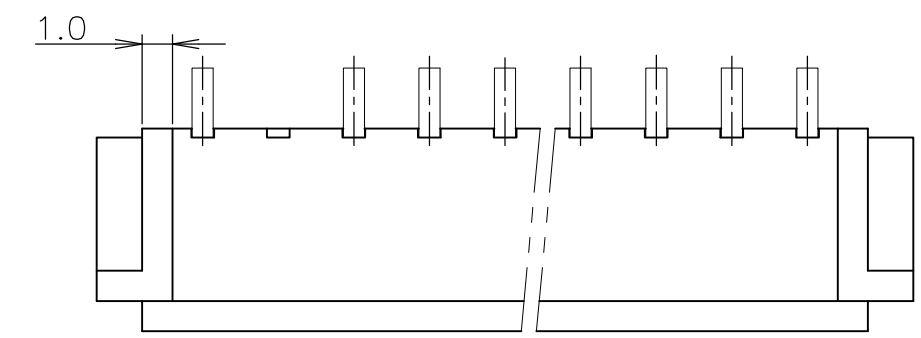
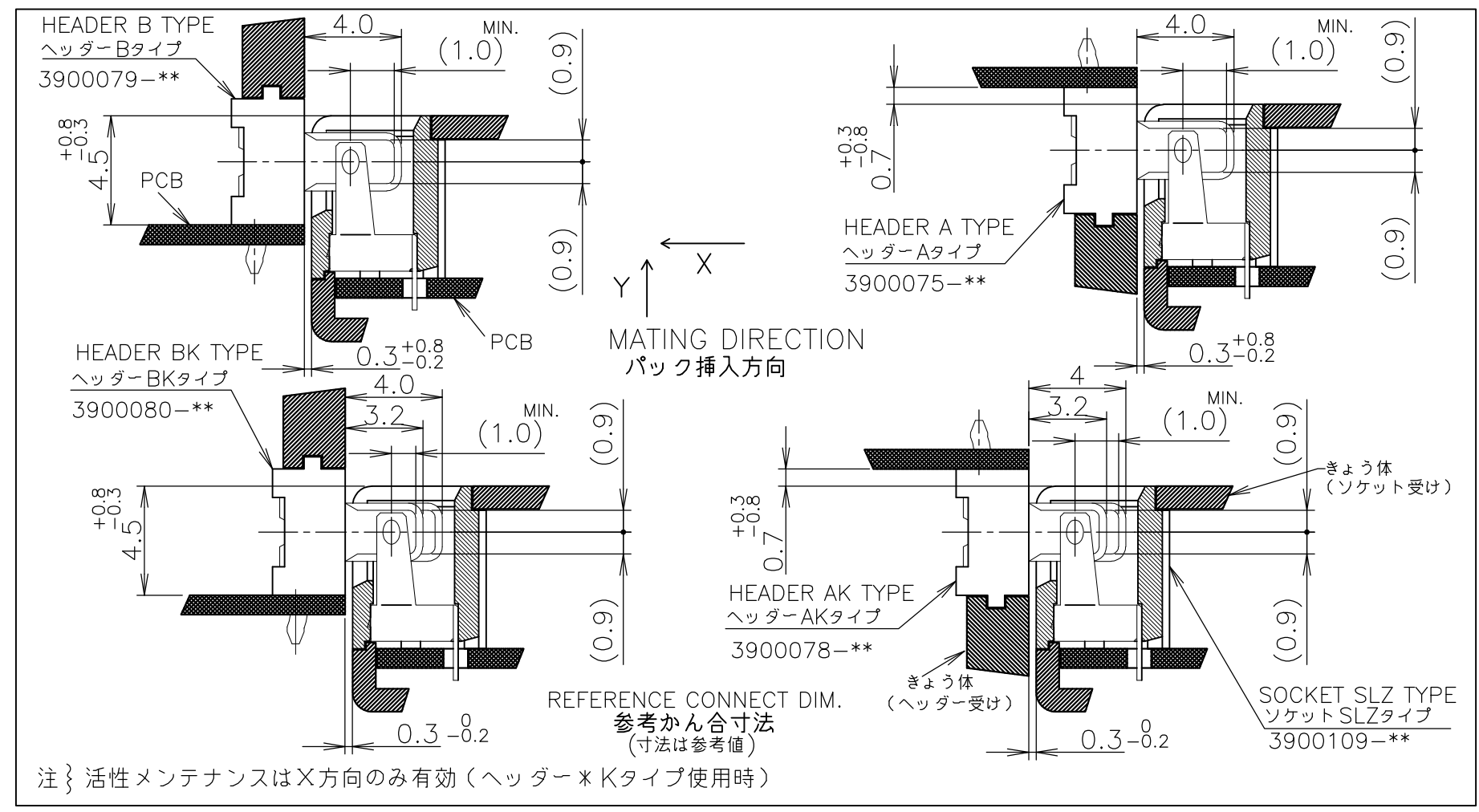


THIS DRAWING IS UNPUBLISHED. RELEASED FOR PUBLICATION AUG. 2004.
 © COPYRIGHT 2004 BY TYCO ELECTRONICS CORPORATION. ALL RIGHTS RESERVED.

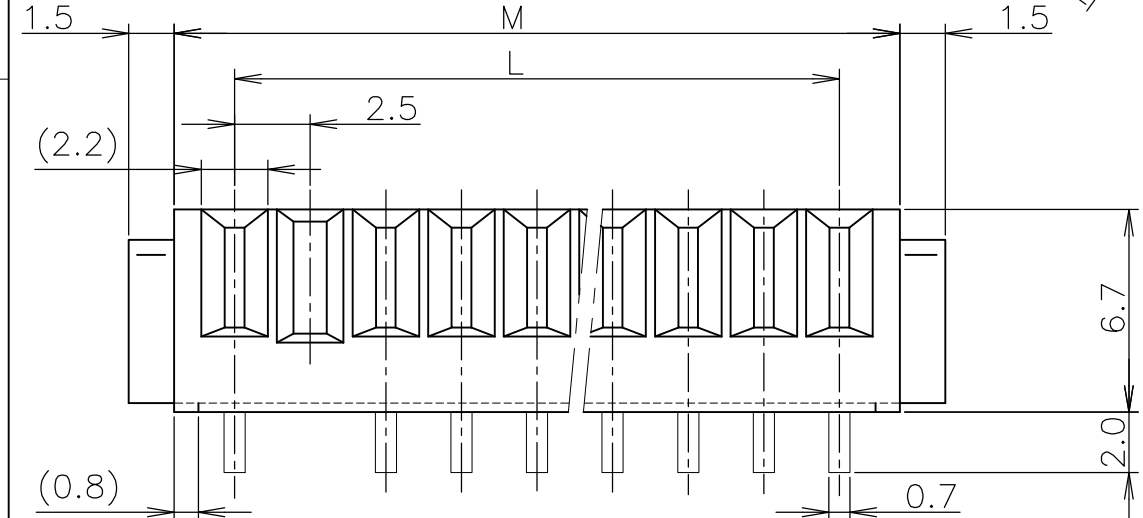
| LOC | DIST | REVISIONS | | | | | |
|-----|------|-----------|-----|---------------------------|---------|-----|------|
| | | P | LTR | DESCRIPTION | DATE | DWN | APVD |
| J | / | 01 | | REVISED PER ECO-10-000444 | 19JAN10 | KK | HMR |

- 1 一般公差 ±0.3
- 2 材質
ハウジング: 熱可塑性樹脂, 黒色
コンタクト: 銅合金
全面: ニッケル下地めっき
接触部: 金めっき 0.1μm MIN.
半田付け部: 金めっき
- 3 * 番端子に電源(+,G)ラインを配置することを推奨する。

- 1 GENERAL TOLERANCE: ±0.3
- 2 MATERIALS
HOUSING: THERMOPLASTIC, BLACK
CONTACT: COPPER ALLOY
0.1μm MIN. GOLD
OVER NICKEL PLATE (CONTACT AREA)
Au PLATE OVER NICKEL PLATE (TAIL AREA)
- 3 PIN WITH * MARK IS SUITABLE FOR POWER LINE.
- 4 OBSOLETE PARTS: OBSOLETE CIS STREAMLINING PER D.RENAUD/D.SINISI



鉛フリー
LEAD FREE



| 46-6447141-9 | 3900109-07 | 7 | 17.5 | 21.5 | |
|----------------|---------------------|-------------------|---------|-----------|--------------|
| 7-6447141-1 | 3900109-10 | 10 | 25.0 | 29.0 | |
| 7-6447141-0 | 3900109-08 | 8 | 20.0 | 24.0 | |
| PART NO. 型番 | OLD PART NO. 旧型番 | NO. OF POS. 極数 | L 寸法 | M SIZE | REMARK 備考 |

| | | | | | |
|---|--|-----------------------------------|--|------------------|--------------------|
| THIS DRAWING IS A CONTROLLED DOCUMENT. | | DWN H.TAKASU 05AUG04 | Tyco Electronics AMP K.K. Kawasaki, Japan | | |
| DIMENSIONS: 単位: 耗 mm | | CHK T.KIMURA 05AUG04 | | | |
| TOLERANCES UNLESS OTHERWISE SPECIFIED: 一般公差 | | APVD K.IKEGAMI 05AUG04 | NAME 名称 | | |
| 0 PLC ± 1 PLC ± 2 PLC ± 3 PLC ± 4 PLC ± ANGLES ± | | PRODUCT SPEC 製品規格 108-78126 | BU CONNECTOR FS3 SOCKET SLZ TYPE | | |
| MATERIAL 材料 | | FINISH 仕上 | APPLICATION SPEC 取付適用規格 | SIZE A3 | CAGE CODE 00779 |
| | | | DRAWING NO 番号 G-6-6447141-9 | RESTRICTED TO | |
| | | | WEIGHT | CUSTOMER DRAWING | |
| | | | SCALE 尺度 4:1 | SHEET 1 OF 1 | REV 01 |

单击下面可查看定价，库存，交付和生命周期等信息

[>>TE Connectivity\(泰科\)](#)