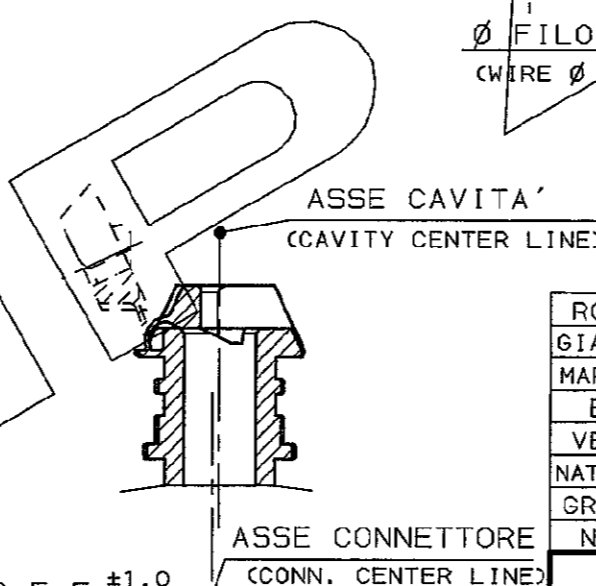
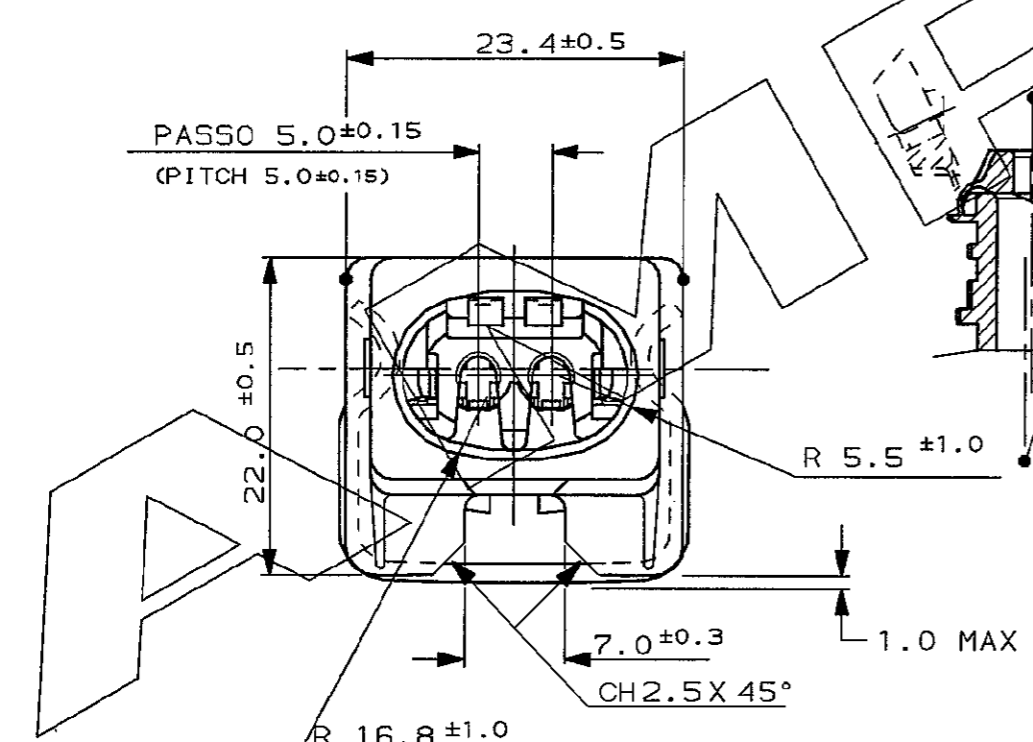
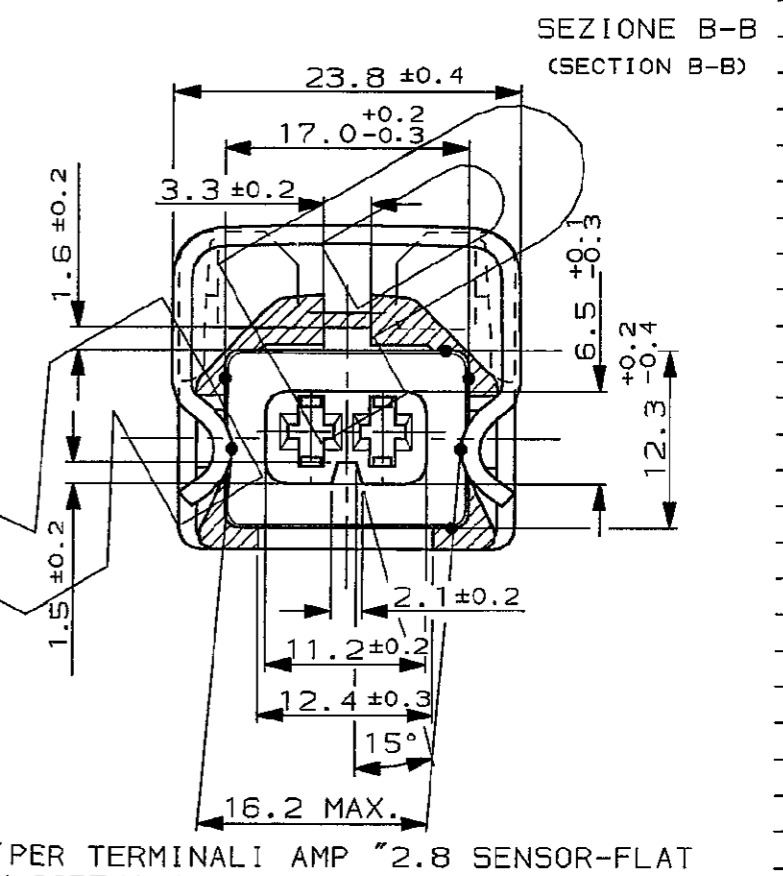
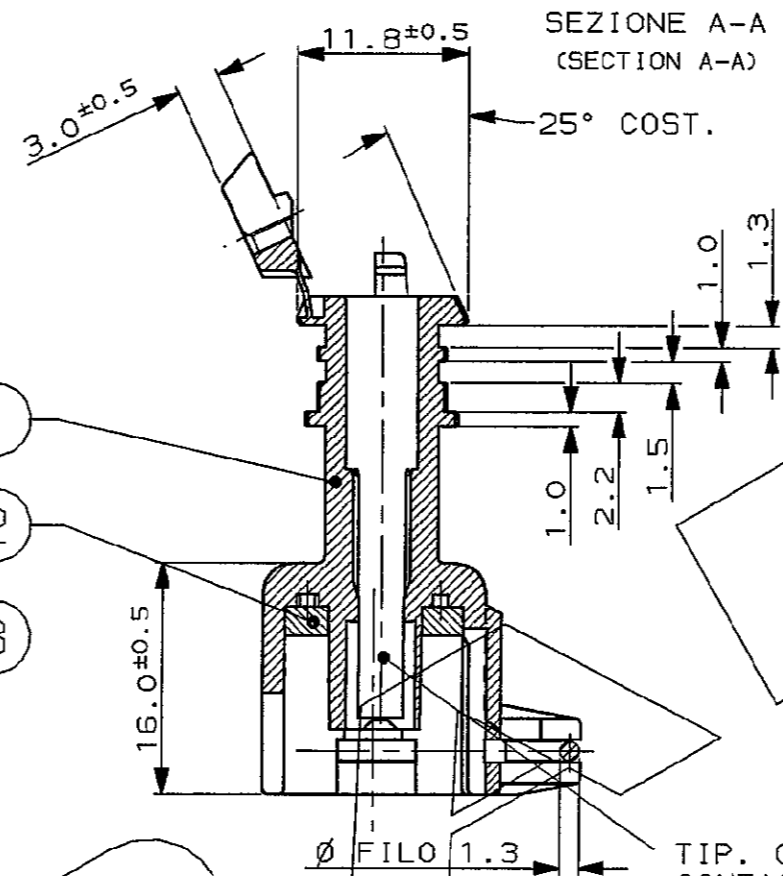
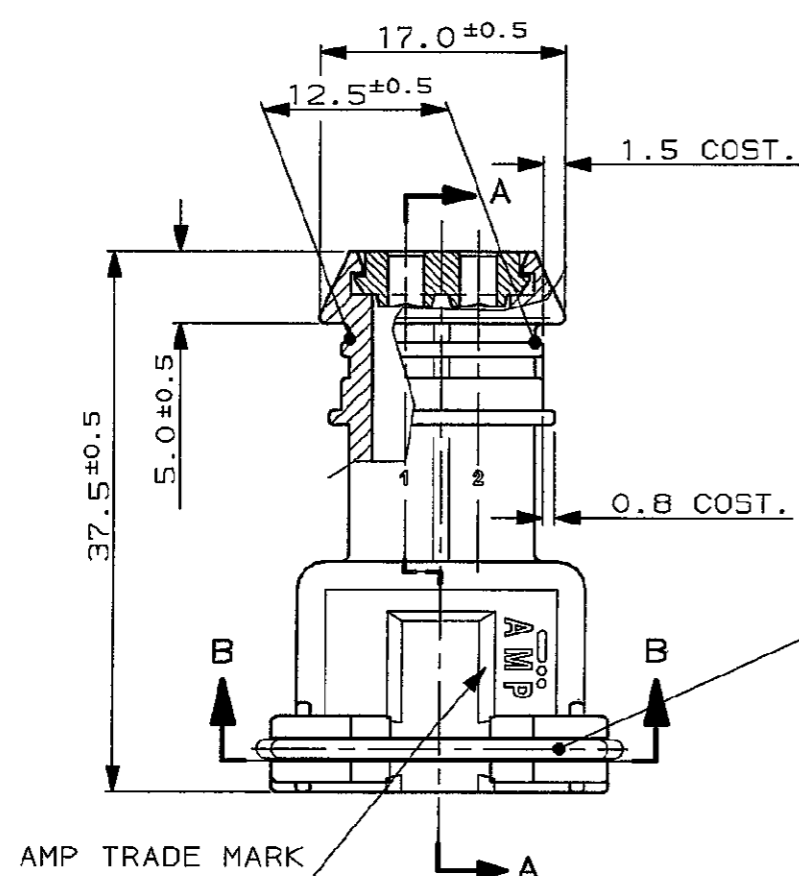


CONNETTORE TIPO A (CON MOLLA DI RITEGNO ESTERNA)

SCALA NON IMPEGNATIVA
(DO NOT SCALE)
DIMENSIONI IN mm
(DIMENSIONS IN)

METRIC

PROIEZIONE EUROPEA
(EUROPEAN PROJECTION)



TIP. CAVITA' PER TERMINALI AMP "2.8 SENSOR-FLAT CONTACT" P/N 967541-1, 967542-1, 967543-1 E RELATIVI GOMMINI AMP P/N 828904-1, 828905-1, 828906-2.
TAPPO CAVITA' P/N 828906-2
(TYP. CAV. FOR 2.8 SENSOR-FLAT CONTACT P/N 967541-1, 967542-1, 967543-1 AND REL. SINGLE WIRE SEAL P/N 828904-1, 828905-1, 828906-2)

ROSSO (RED)	282956-8				
GIALLO (YELLOW)	282956-7				
MARRONE (BROWN)	282956-6				
BLU (BLUE)	282956-5	3	//////	ACCIAIO INOX (STAINLESS STEEL)	MOLLA (SPRING)
VERDE (GREEN)	282956-4				
NATURALE (NATUR)	282956-3	2	NATURALE (NATURAL)	GOMMA SILICONE (SILICONE RUBBER)	GUARNIZIONE (SEALING)
GRIGIO (GREY)	282956-2				
NERO (BLACK)	282956-1	1	//////	PA 6.6	BLOCCHETTO (HOUSING)
COLORE (COLOR)	NUMERO (PART N°)	N° (ITEM)	FINITURA / COLORE (FINISH / COLOUR)	MATERIALE (MATERIAL)	DESCRIZIONE (DESCRIPTION)

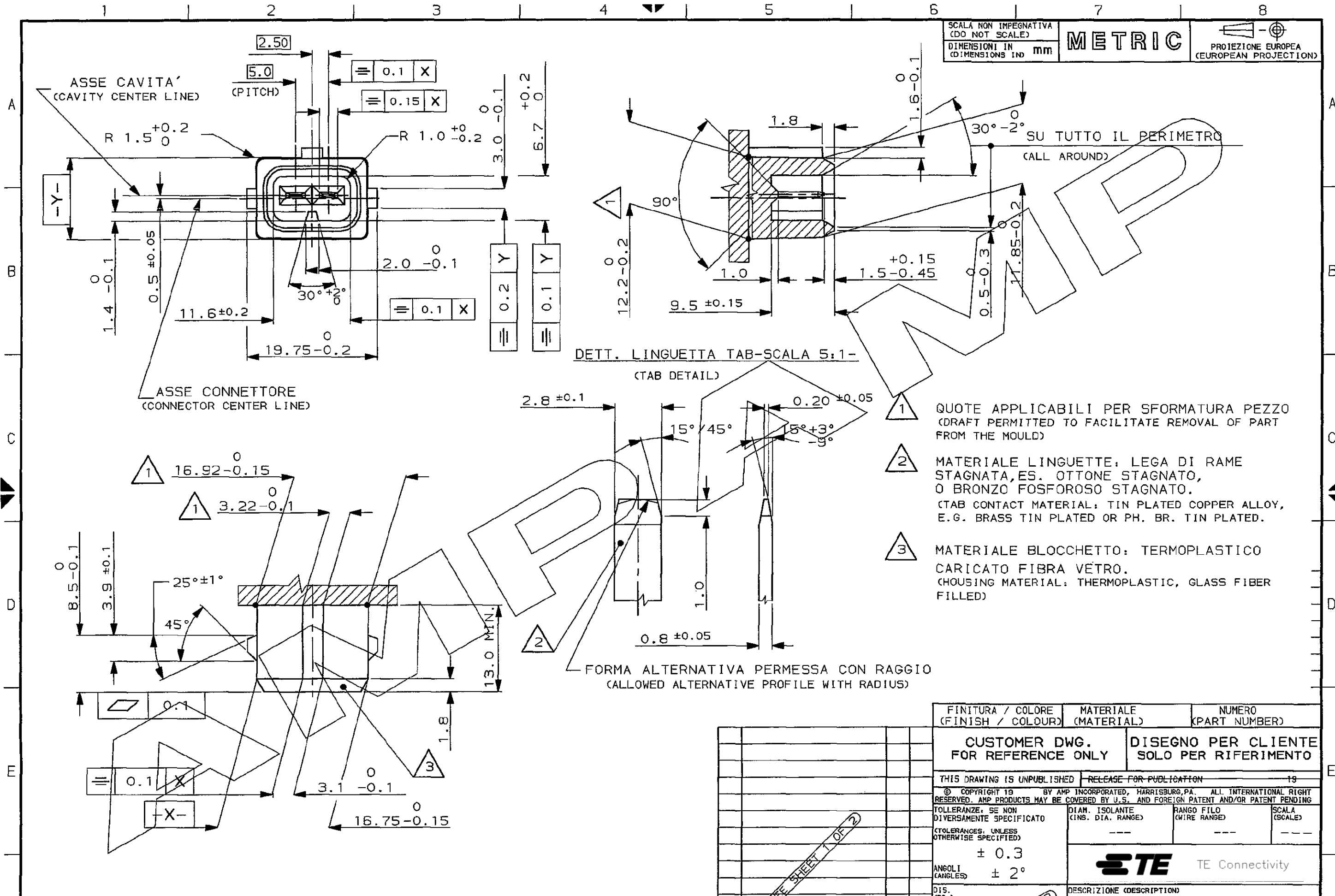
CUSTOMER DWG. FOR REFERENCE ONLY DISEGNO PER CLIENTE SOLO PER RIFERIMENTO

THIS DRAWING IS UNPUBLISHED RELEASE FOR PUBLICATION 19
© COPYRIGHT 19 BY AMP INCORPORATED, HARRISBURG, PA. ALL INTERNATIONAL RIGHTS RESERVED. AMP PRODUCTS MAY BE COVERED BY U.S. AND FOREIGN PATENT AND/OR PATENT PENDING
TOLLERANZE, SE NON DIVERSAMENTE SPECIFICATO (TOLERANCES, UNLESS OTHERWISE SPECIFIED)
DIAM. ISOLANTE (INS. DIA. RANGE) RANGO FILO (WIRE RANGE) SCALA (SCALE)
1.4-3.0 (RED. INS. CABLE) 0.35-2.5 mm² ---
± 0.3
ANGOLI (ANGLES) ± 2°



D	ECR-14-003472	MP	24MAR 2014	DIS. 24 MAY 96	DESCRIZIONE (DESCRIPTION)
C	REVISED PER ECR-09-010409	M.P.	07MAY 2009	CONT. A. BAJ <i>ABJ</i>	2 POS. SPLASH PROOF CONN. ASS'Y FOR 2.8 SENSOR-FLAT CONTACT
B	REVISED IN PRODUCT. ET00-0185-97	A.B.	22 JUN 1997	CONT. 24 MAY 96	
A	PRIMA EMISSIONE PER EC ET00-0299-96	A.B.	25 JUN 1996	APP. C. TARTARI	
REV. (REV. NO.)	REVISIONI (REVISION RECORD)	DIS. DATA (DATE)		APP. (APP.)	
I	A3	C-282956	D	1	2

DISTRIBUZIONE (PRINT/DIST.)



- 1 QUOTE APPLICABILI PER SFORMATURA PEZZO (DRAFT PERMITTED TO FACILITATE REMOVAL OF PART FROM THE MOULD)
- 2 MATERIALE LINGUETTE: LEGA DI RAME STAGNATA, ES. OTTONE STAGNATO, O BRONZO FOSFOROSO STAGNATO.
 CTAB CONTACT MATERIAL: TIN PLATED COPPER ALLOY, E.G. BRASS TIN PLATED OR PH. BR. TIN PLATED.
- 3 MATERIALE BLOCCHETTO: TERMOPLASTICO CARICATO FIBRA VETRO.
 (HOUSING MATERIAL: THERMOPLASTIC, GLASS FIBER FILLED)

FINITURA / COLORE (FINISH / COLOUR)	MATERIALE (MATERIAL)	NUMERO (PART NUMBER)
CUSTOMER DWG. FOR REFERENCE ONLY	DISEGNO PER CLIENTE SOLO PER RIFERIMENTO	13
THIS DRAWING IS UNPUBLISHED		RELEASE FOR PUBLICATION
© COPYRIGHT 19 BY AMP INCORPORATED, HARRISBURG, PA. ALL INTERNATIONAL RIGHT RESERVED. AMP PRODUCTS MAY BE COVERED BY U.S. AND FOREIGN PATENT AND/OR PATENT PENDING		
TOLLERANZE. SE NON DIVERSAMENTE SPECIFICATO (TOLERANCES. UNLESS OTHERWISE SPECIFIED)	DIAM. ISOLANTE (INS. DIA. RANGE)	RANGO FILO (WIRE RANGE)
± 0.3	---	---
ANGOLI (ANGLES)	SCALA (SCALE)	
± 2°	---	
DIS. (DR.)	DESCRIZIONE (DESCRIPTION)	
CONT. (CHK)	2 POS. SPLASH PROOF CONN. ASS'Y FOR 2.8 SENSOR-FLAT CONTACT	
APP. (APP.)	LOC. (LOC.)	REV. (REV.)
---	I A3	D
---	SIZE NUMBER (DWG NO)	FOLIO (SHEET)
---	C-282956	2 OF 2

REV. (REV.)	REVISIONI (REVISION RECORD)	DIS. (DR.)	DATA (DATE)

DISTRIBUZIONE (PRINT DIST.)

单击下面可查看定价，库存，交付和生命周期等信息

[>>TE Connectivity\(泰科\)](#)