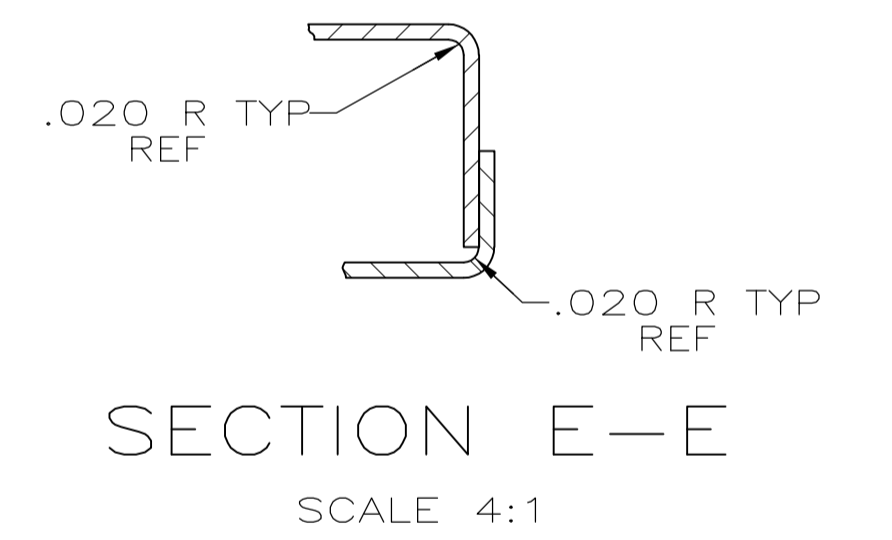
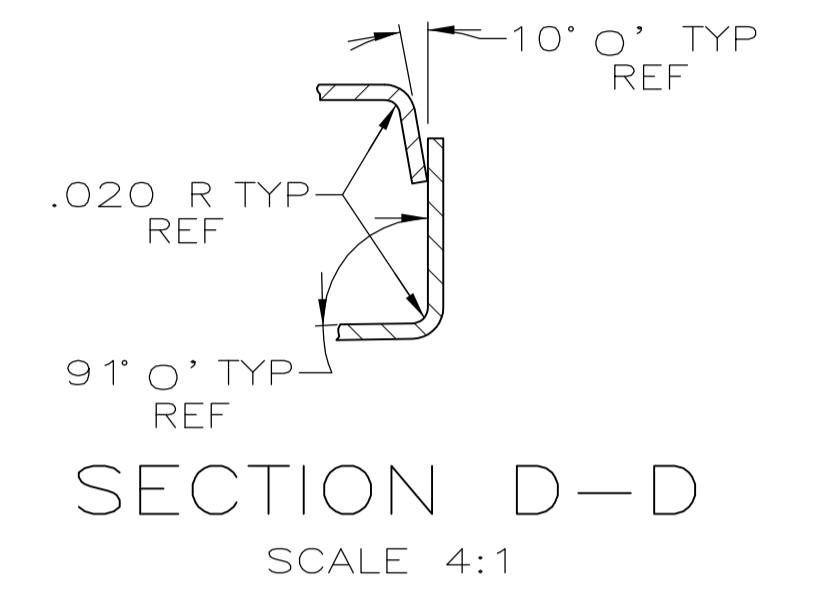
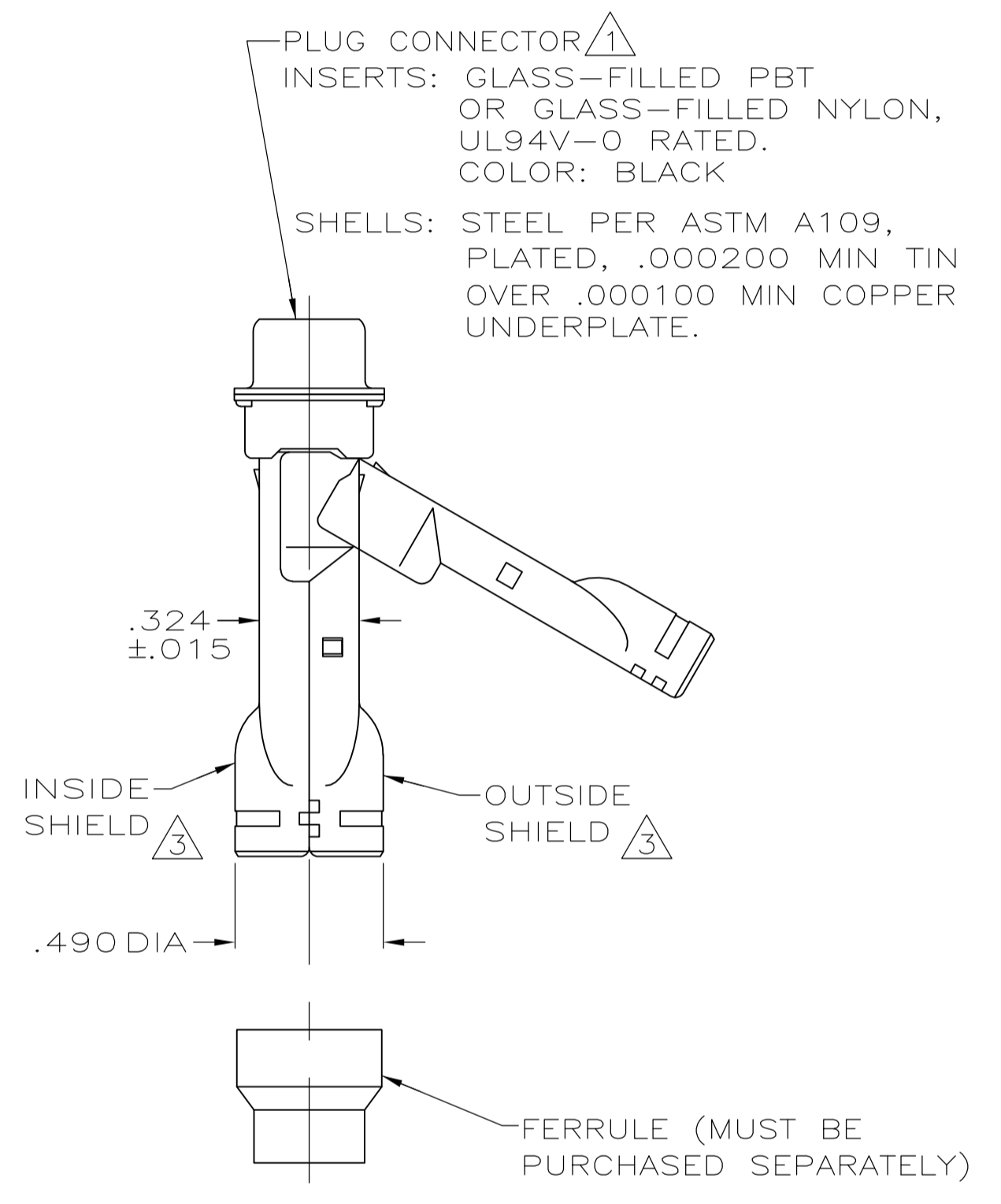
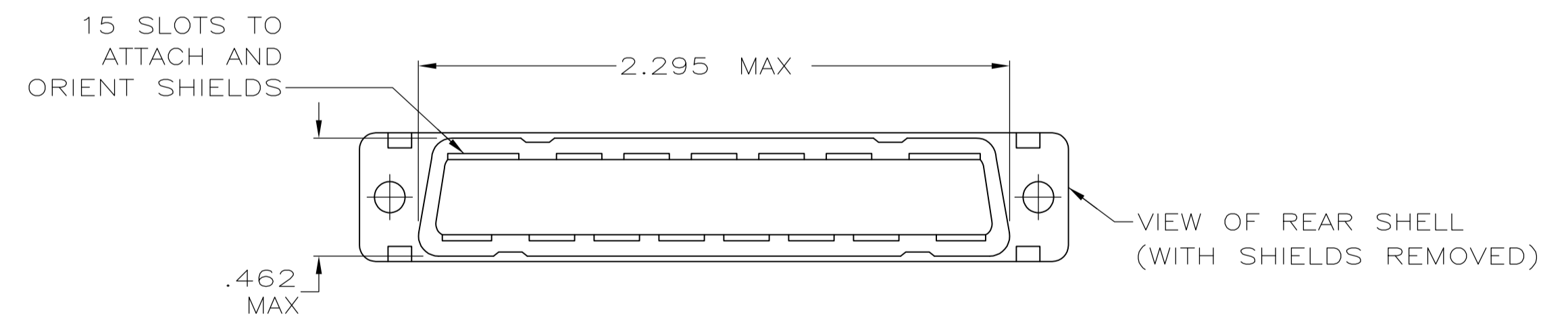
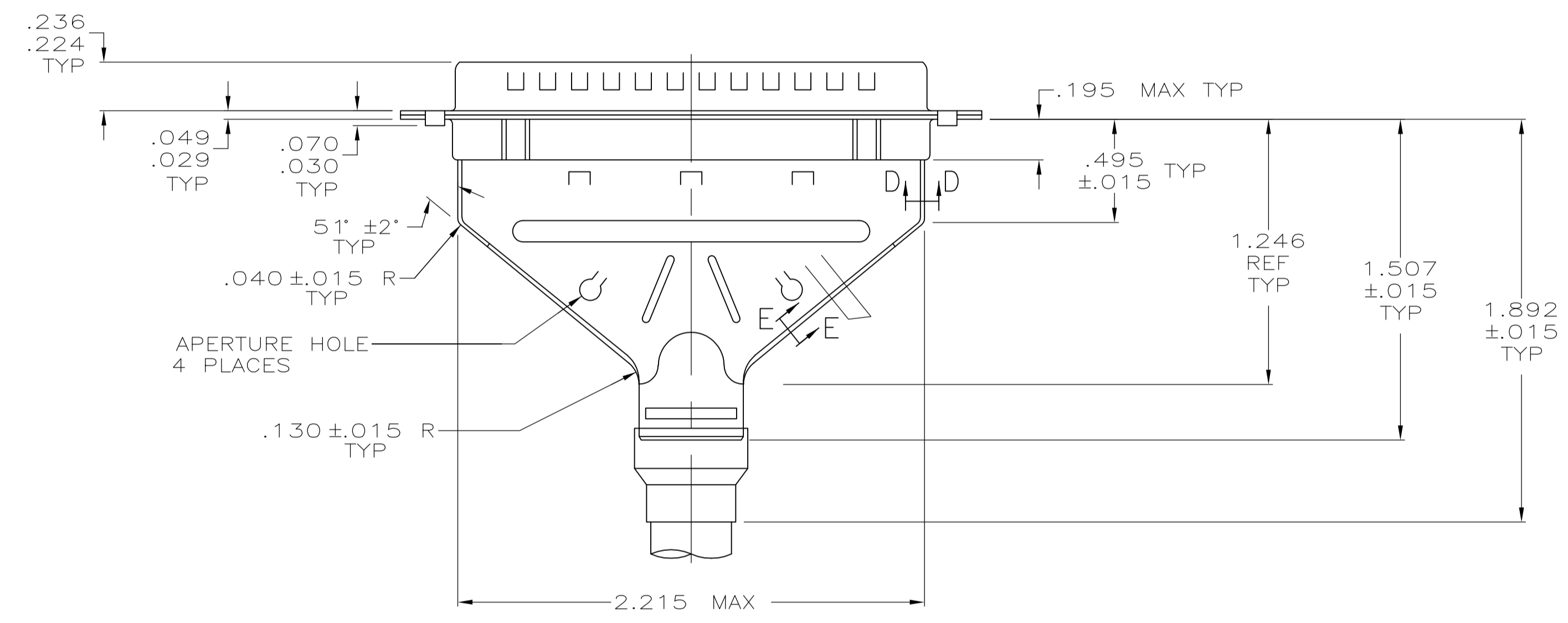
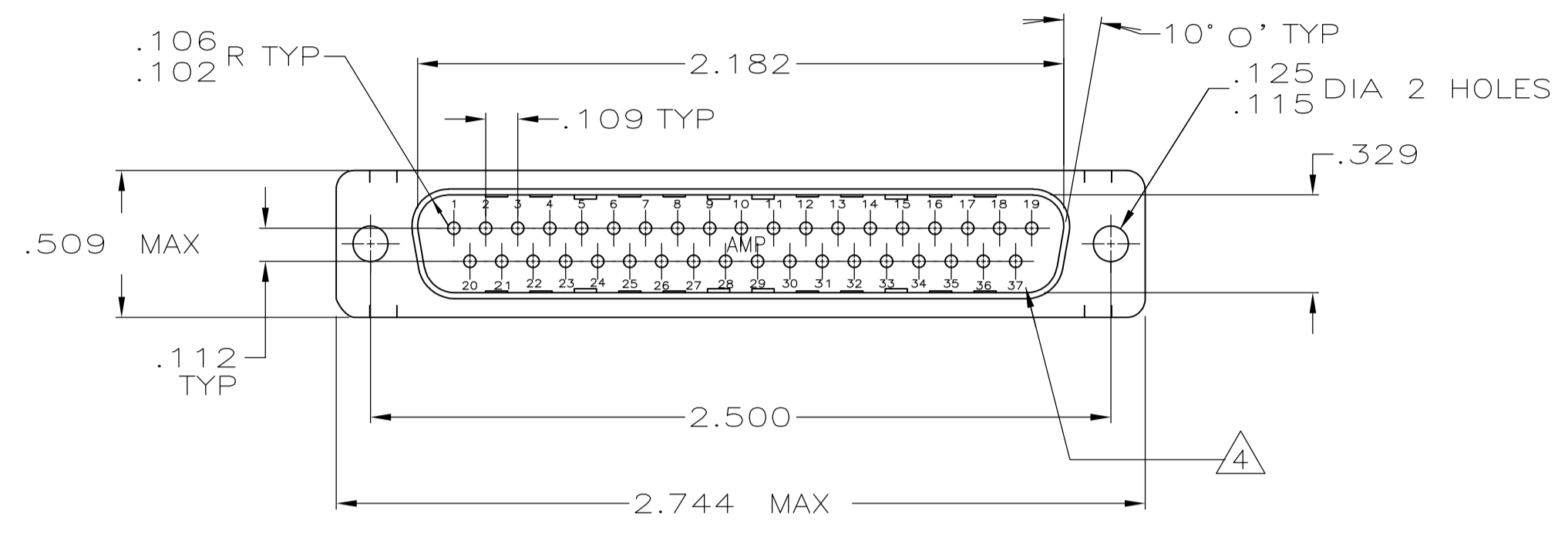


| LOC | | DIST | | REVISIONS | | | |
|-----|-----|---------------------------|-----------|-----------|-----|----|--|
| P | LTR | DESCRIPTION | DATE | DN | APV | SB | |
| B | | REVISED PER ECO-14-011808 | 09AUG2014 | AP | SB | | |



- 1. PLUG ACCEPTS SIZE 20 PIN CONTACTS (CONTACTS MUST BE ORDERED SEPARATELY).
- 2. ALL PARTS SHIPPED UNASSEMBLED, EACH PART INDIVIDUALLY BULK PACKED.
- 3. SHIELDS: MATERIAL-.020 THICK STEEL, PER ASTM A109, PLATED .000200 MIN TIN OVER .000100 MIN COPPER UNDERPLATE.
- 4. RAISED CAVITY IDENTIFICATION AND AMP TRADEMARK.

1658650-1
PART NUMBER

| | | | | |
|--|----------------|---------------------------|--|--|
| THIS DRAWING IS A CONTROLLED DOCUMENT. | | DN J. REITZEL 31JUL03 | TE Connectivity | |
| DIMENSIONS: INCHES | | CHK S. BOLASH 31JUL03 | | |
| TOLERANCES UNLESS OTHERWISE SPECIFIED: | | APP'D M. WALMSLEY 31JUL03 | NAME KIT, PLUG, SHIELDING HARDWARE, SIZE 4, 37 POSITION, AMPLIMITE™ HDP-20 | |
| 0. PLC ± - | 1. PLC ± - | PRODUCT SPEC 108-40030 | SIZE 114-40030 | |
| 2. PLC ± - | 3. PLC ± .005 | APPLICATION SPEC | RESTRICTED TO | |
| 4. PLC ± - | ANGLES ± 0°30' | WEIGHT | SCALE 2:1 SHEET 1 OF 1 REV B | |
| MATERIAL | FINISH | CUSTOMER DRAWING | DRAWING NO. A1 00779 C=1658650 | |

单击下面可查看定价，库存，交付和生命周期等信息

[>>TE Connectivity\(泰科\)](#)

[>>点击查看相关商品](#)