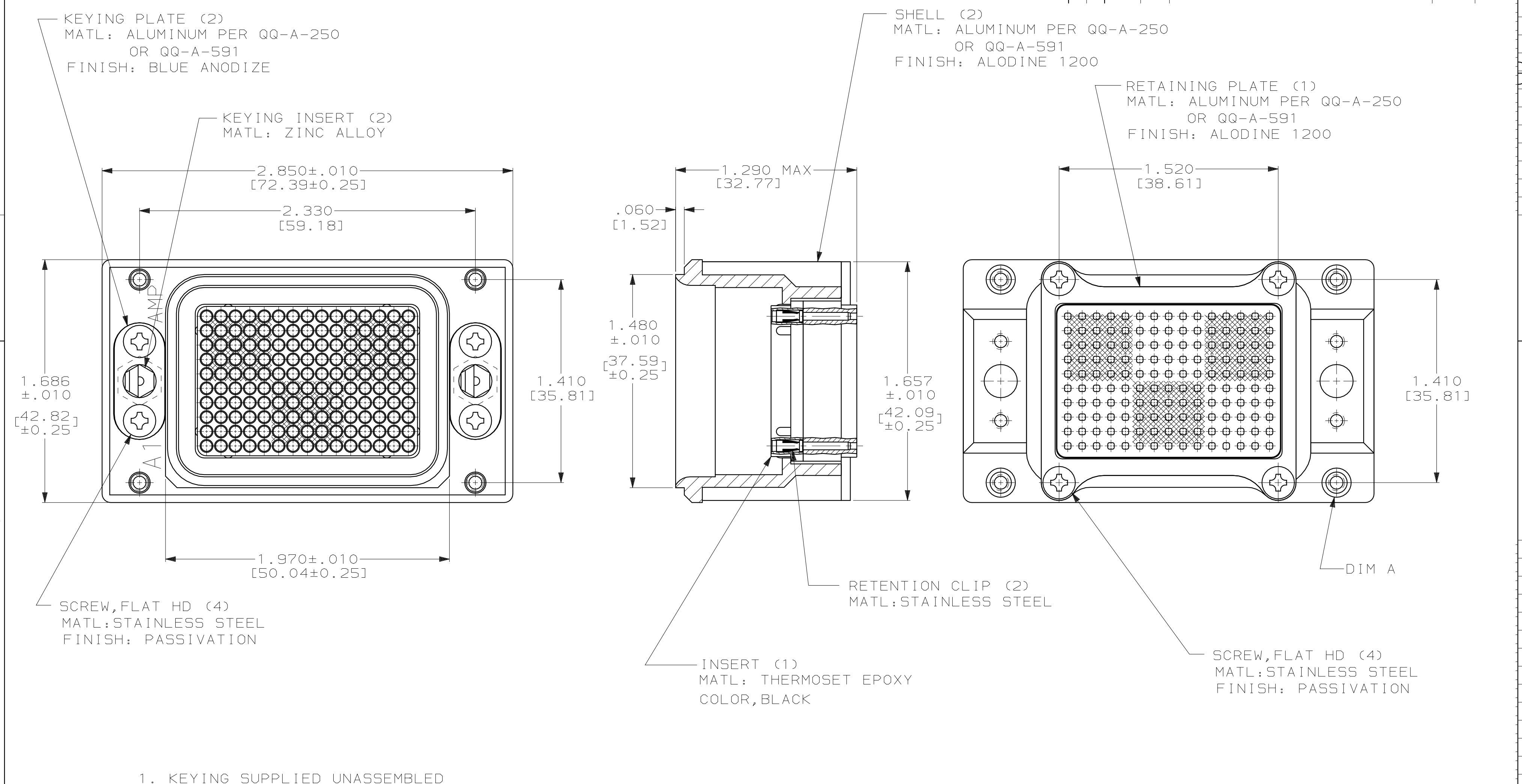


LOC	DIST	P	F	ZONE	LTR	REVISIONS	DATE	APPD
DF	AO					A	REV PER 0G3D-0439-03	CT
							10-03	SG



1. KEYING SUPPLIED UNASSEMBLED

NONE	∅.146-.156	448270-2
208264-2 (QTY=150)	W/ #4-40 CLINCH NUTS	448270-1
CONTACTS INCLUDED	DIM A	PART NUMBER

DO NOT SCALE PRINT. UNLESS SPECIFIED DIMENSIONS IN INCHES [mm] TOLERANCES ON : 2 PLC DEC ± - 3 PLC DEC ± .005 ANGLES ± - MATERIAL SEE CALLOUTS FINISH SEE CALLOUTS	DR 8-8-91 P. YEAGER	AMP AMP Incorporated Harrisburg, PA 17105-3608		
	CHK 10-21-94 R. GROSS			
	APPD 10-21-94 R. GROSS	NAME		
	APPD 10-21-94 R. GROSS	RECEPTACLE ASSY, SINGLE MOD NIC 600		
	PRODUCT SPEC	SIZE	CAGE CODE	DRAWING NO
	APPLICATION SPEC	∅	00779	448270
	WEIGHT	SCALE	2:1	SHEET
				1 OF 1

单击下面可查看定价，库存，交付和生命周期等信息

[>>TE Connectivity\(泰科\)](#)