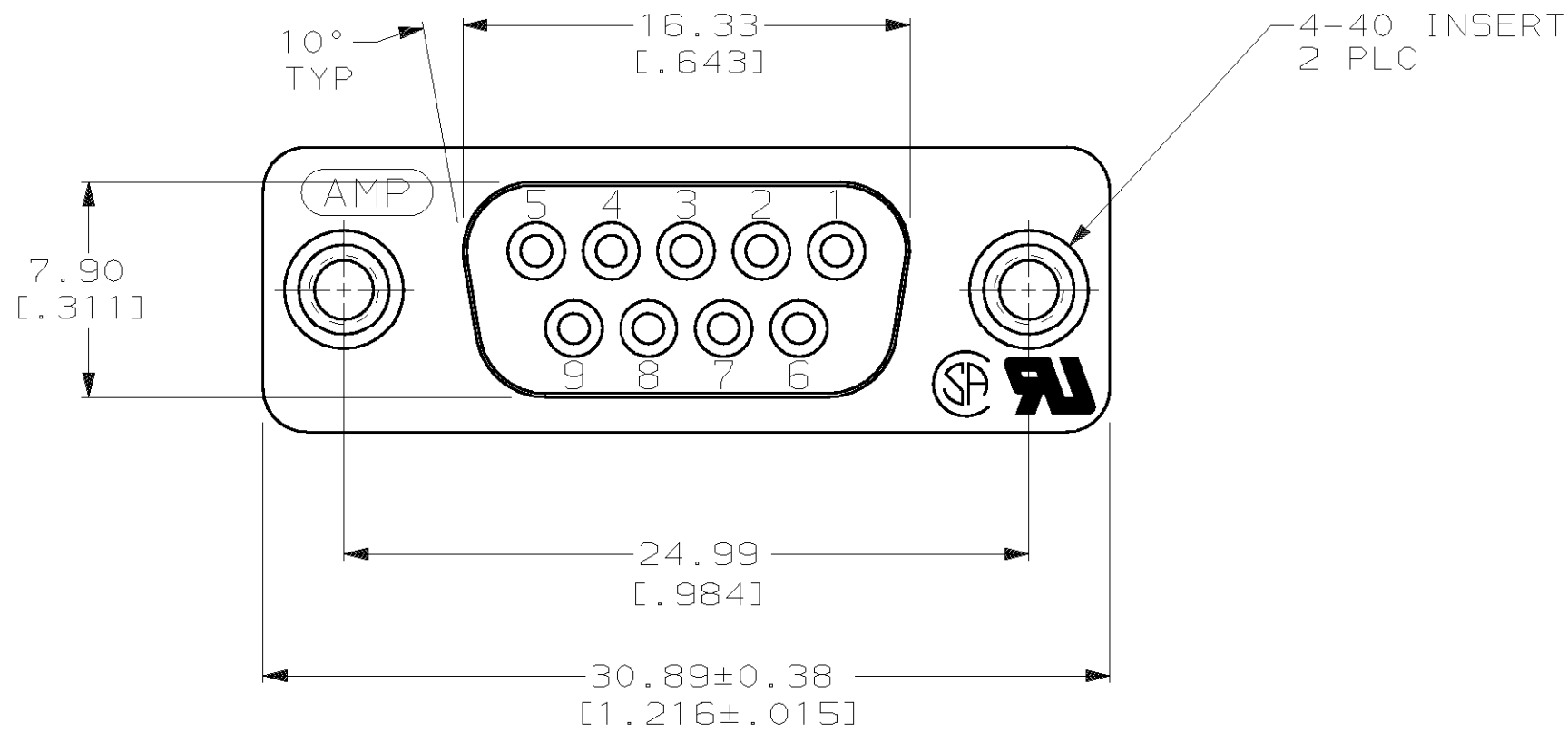
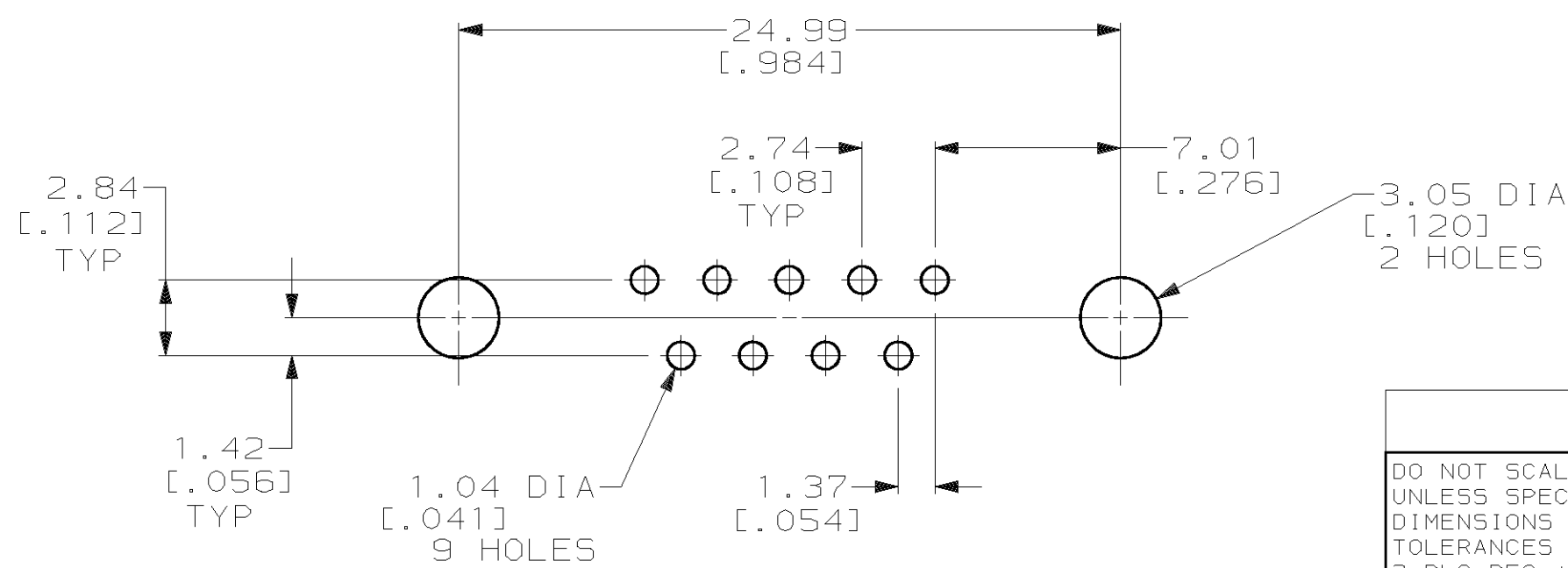
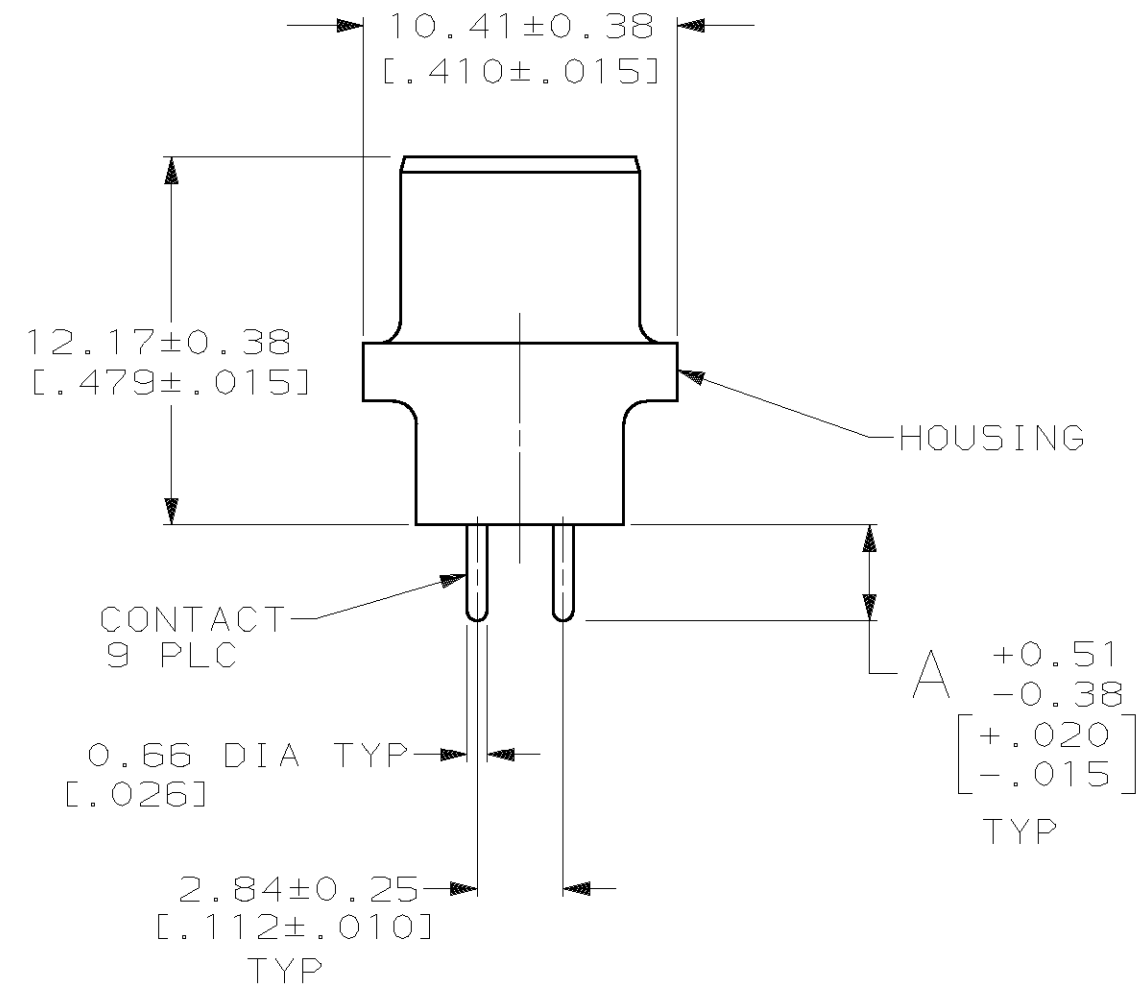
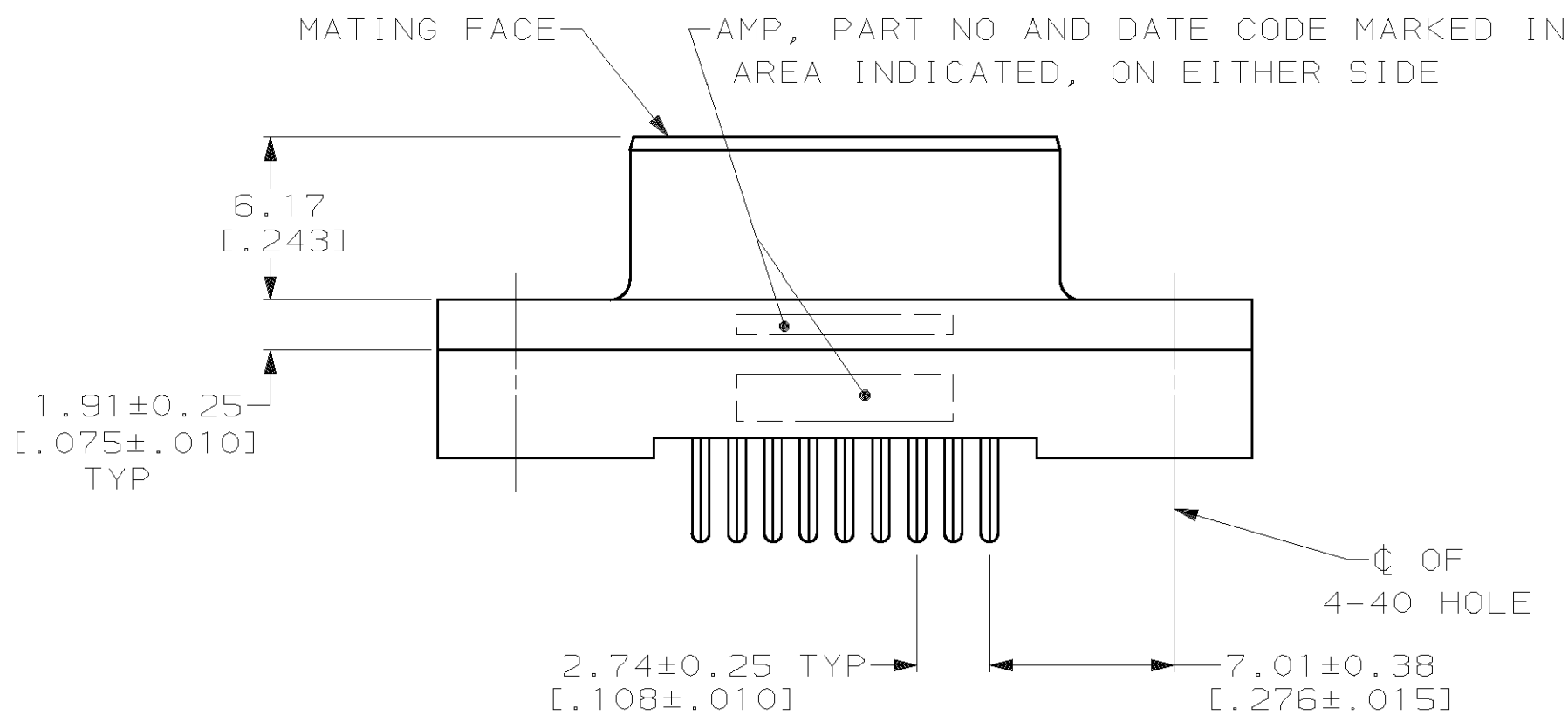


THIS DRAWING IS UNPUBLISHED. RELEASED FOR PUBLICATION .19
 © COPYRIGHT 19 BY AMP INCORPORATED. ALL INTERNATIONAL RIGHTS RESERVED.

LOC		DIST		P		F		ZONE		LTR		REVISIONS			
BD		77										DESCRIPTION	DATE	APPD	
												E	REDRAWN & REVISED, ECN BD3361	11-89	-
												F	SUPSD-7 & OBS-1, -5, -6 PER EC 0020-964-93	04/11/94	CR
												G	OBS -8 AND REV PER EC 001D-0126-00	01 NOV 00	RF



- 1 HOUSING: BLACK POLYESTER, UL 94V-0 RATED; CONTACTS: PHOSPHOR BRONZE PER QQ-B-750; INSERTS: BRASS PER QQ-B-626.
- 2 GOLD PLATING PER MIL-G-45204, TIN PLATING PER MIL-T-10727, NICKEL PLATING PER QQ-N-290.
- 3 GOLD FLASH FOR A LENGTH OF 2.54[.100] MIN FROM MATING END, 2.54µm[.000100] MIN TIN OR TIN-LEAD FOR A LENGTH OF DIMENSION A FROM OPPOSITE END, ALL OVER 1.27µm[.000050] MIN NICKEL.
- 4 0.76µm[.000030] MIN GOLD FOR A LENGTH OF 2.54[.100] MIN FROM MATING END, 2.54µm[.000100] MIN TIN OR TIN-LEAD FOR A LENGTH OF DIMENSION A FROM OPPOSITE END, ALL OVER 1.27µm[.000050] MIN NICKEL.



STATUS	DESCRIPTION	CONTACT FINISH	PART NO
OBSOLETE	6.35 [.250]	4	207841-8
SUPERSEDED BY	207841-8	3	207841-7
OBSOLETE	4.32 [.170]	4	207841-6
OBSOLETE	4.32 [.170]	3	207841-5
	3.18 [.125]	4	207841-4
	3.18 [.125]	3	207841-3
OBSOLETE	3.56 [.140]	3	207841-1

DO NOT SCALE PRINT. UNLESS SPECIFIED DIMENSIONS IN mm [INCHES] TOLERANCES ON: 2 PLC DEC ± 0.13 [.005] 3 PLC DEC ± - ANGLES ± 2°		DR 11-16-89 J McCLINTON		AMP INCORPORATED Harrisburg, Pa. 17105	
MATERIAL		CHK 2-1-90 R. STONE			
FINISH 2 CONTACT: SEE TABLE		APPD 2-2-90 S. SCHIEFFERLY		NAME RECEPTACLE ASSEMBLY, SIZE 1, 9 POSN, VERTICAL, AMPLIMITE® HD-20	
PRODUCT SPEC 108-40025		APPD 2-5-90 C. ROHDE		SIZE C 00779	
APPLICATION SPEC -		WEIGHT -		DRAWING NO 207841	
		SCALE 4:1		SHEET 1 OF 1	

RECOMMENDED PC BOARD MOUNTING DIMENSIONS

单击下面可查看定价，库存，交付和生命周期等信息

[>>TE Connectivity\(泰科\)](#)