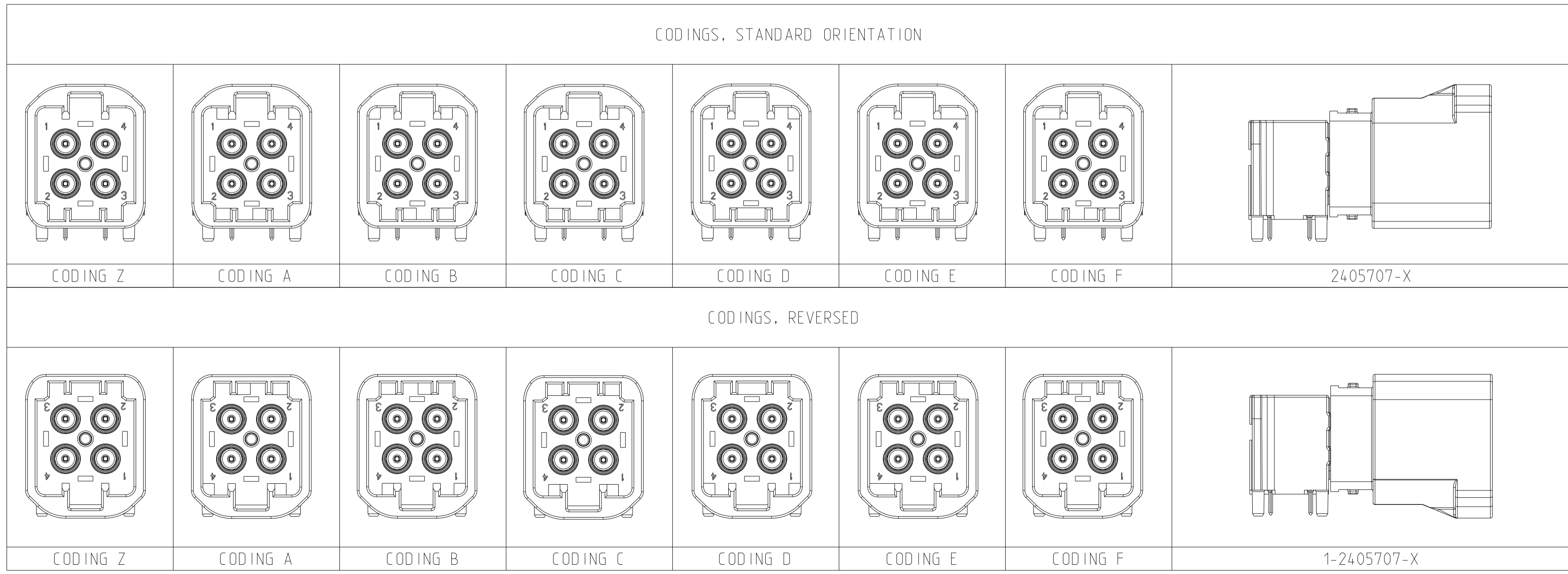


REVISIONS				
P	LTN	DESCRIPTION	DATE	APPV
A		INITIAL RELEASE	16MAR22	A.C C.P
A1		ADD NEW PN	09JUN22	A.C C.P
A3		ECN-23-197046	10FEB23	T.X C.P
A5		ECN-23-221916	26JUN23	A.C C.P

- 1 PACKAGING: TAPE AND REEL
- 2 MATE-AX MATING/UNMATING PLUG HOUSING ASSEMBLY ACC. TO PN:2298721- OR PLEASE CONTACT TE CONNECTIVITY.
- 3 ALL DIMENSIONS IN BRACKETS ( ) FOR INFORMATION ONLY
- 4 CENTER OF GRAVITY
- 5 REQUIRED SPACE FOR UNMATED CABLE CONNECTOR
- 6 REQUIRED SPACE FOR MATED CABLE CONNECTOR

QTY	CODE	DESCRIPTION	MATERIAL	FINISH COLOUR	ITEM NO			
1		SHIELDING HOUSING (OUTSIDE)	Zn ALLOY	Sn: MIN 2µm OVER Ni AND Cu	8			
1		SHIELDING COVER	SUS	NO PLATING	7			
1		SHIELDING BLOCK	COPPER ALLOY	Sn: MIN. 2µm OVER Ni	6			
2		CONTACT PIN (LONG)	COPPER ALLOY	Ag PLATING VERSION: SOLDER SIDE: MIN. 3µm Sn OVER Ni INTERFACE SIDE: MIN. 2µm Ag OVER Ni	5			
2		CONTACT PIN (SHORT)			4			
2		CAVITY BLOCK (LONG)	PA10T GF30	BLACK	3			
2		CAVITY BLOCK (SHORT)			2			
1	1	CODING HOUSING	POLYAMIDE	WATERBLUE NUT-BROWN MAY GREEN CLARET VIOLET LIGHT BLUE PURE WHITE JET BLACK	1			
SERIE		-1 -2 -3 -4 -5 -6 -9	SERIE - Ag PLATING STANDARD VERSION ASSY NO. 2405707-X					
		1-1 1-2 1-3 1-4 1-5 1-6 1-9	SERIE - Ag PLATING REVERSED VERSION ASSY NO. 1-2405707-X					
		A B C D E F Z	ASSY CODE					
		A A A A A A A	REVISION					

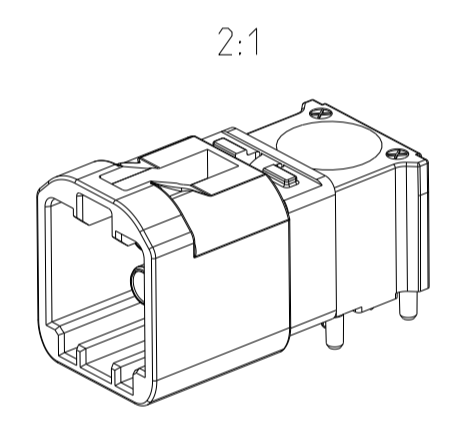
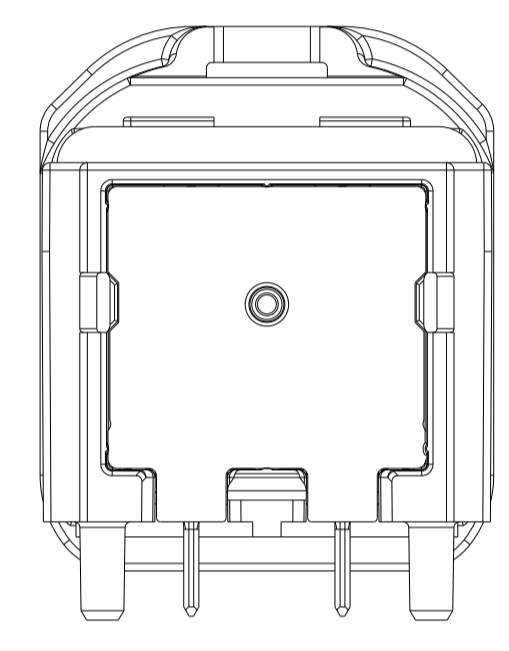
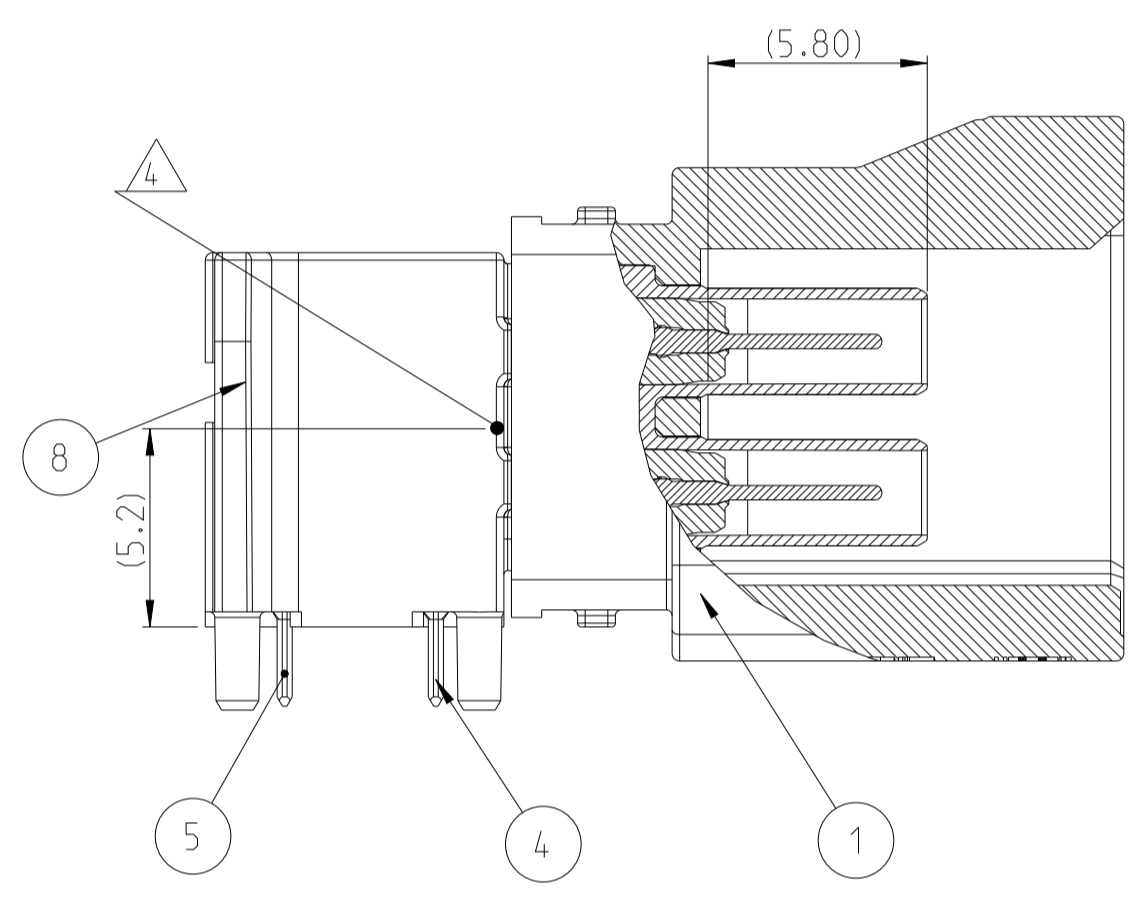
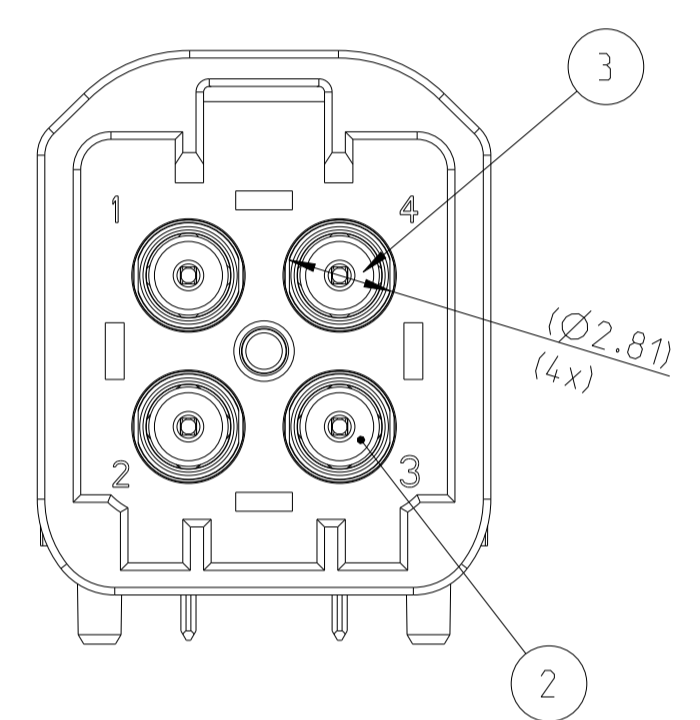
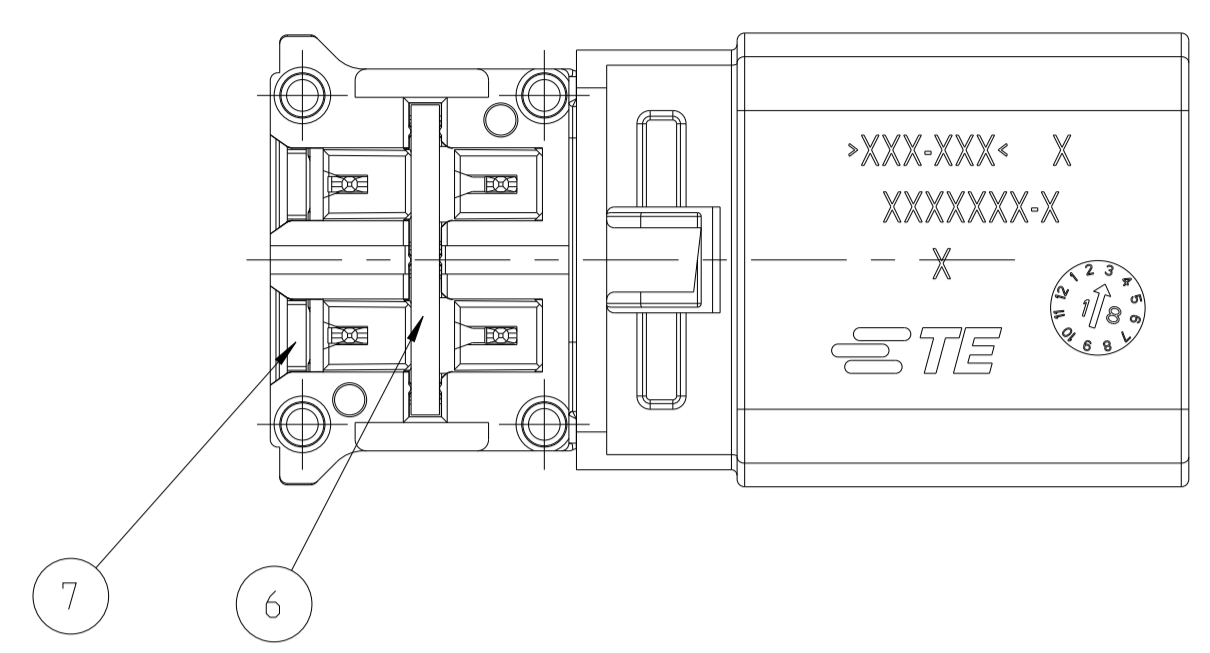


THIS DRAWING IS A CONTROLLED DOCUMENT. DIMENSIONS: mm. TOLERANCES UNLESS OTHERWISE SPECIFIED: 0 PLC ±, 1 PLC ±0.5, 2 PLC ±0.3, 3 PLC ±, 4 PLC ±, ANGLES ° ±, FINISH.

OWN: A.CAI 16MAR2022, CHK: D.ZHU 16MAR2022, APPV: C.DAN 16MAR2022. NAME: MATE-AX HEADER ASSY- 4 POS 90 DEGREE UNSEALED. SIZE: 116-101091, WEIGHT: 116-101091, CUSTOMER DRAWING.

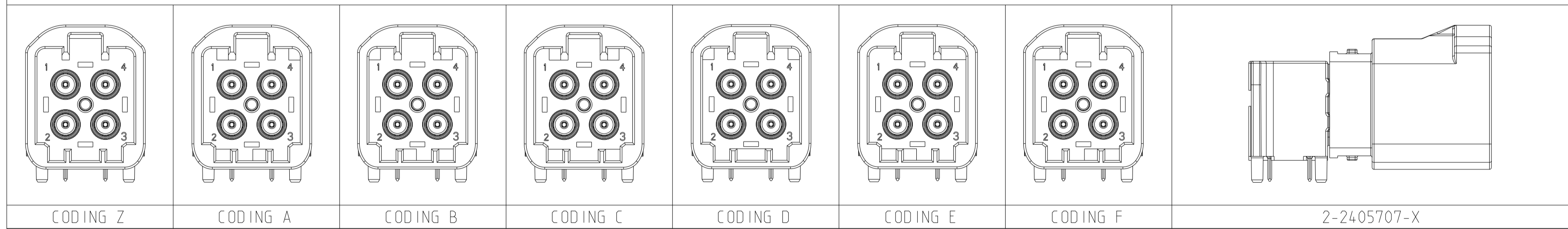
TE Connectivity logo and drawing details: A1 00779 ©=2405707, SCALE 5:1, SHEET 1 OF 2, REV A5.

REVISIONS				
P.	LTN	DESCRIPTION	DATE	APPV
		SEE SHEET 1		

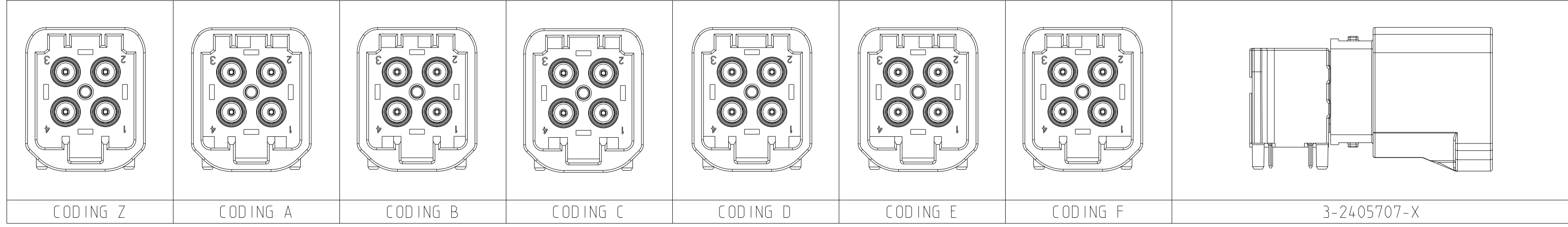


1. UNLESS OTHERWISE SPECIFIED, ALL THE DIMENSIONS AND REQUIREMENT REFER TO 2405707-X

CODINGS. STANDARD ORIENTATION



CODINGS. REVERSED



QTY	CODE	DESCRIPTION	MATERIAL	FINISH COLOUR	ITEM NO		
1		SHIELDING HOUSING (OUTSIDE)	Zn ALLOY	Sn: MIN 2µm OVER Ni AND Cu	8		
1		SHIELDING COVER	SUS	NO PLATING	7		
1		SHIELDING BLOCK	COPPER ALLOY	Sn: MIN. 2µm OVER Ni	6		
2		CONTACT PIN (LONG)	COPPER ALLOY	Ag PLATING VERSION: SOLDER SIDE: MIN. 3µm Sn OVER Ni INTERFACE SIDE: MIN. 2µm Ag OVER Ni	5		
2		CONTACT PIN (SHORT)			4		
2		CAVITY BLOCK (LONG)	PA10T GF30	BLACK	3		
2		CAVITY BLOCK (SHORT)			2		
			CODING HOUSING	POLYAMIDE	1		
					Z	1	
					F		
					E		
					D		
					C		
					B		
					A		
QUANTITY		CODE	DESCRIPTION	MATERIAL	FINISH COLOUR	ITEM NO	
2-1	2-2	2-3	2-4	2-5	2-6	2-9	SERIE - Ag PLATING STANDARD VERSION ASSY NO. 2-2405707-X
3-1	3-2	3-3	3-4	3-5	3-6	3-9	SERIE - Ag PLATING REVERSED VERSION ASSY NO. 3-2405707-X
A	B	C	D	E	F	Z	ASSY CODE
A	A	A	A	A	A	A	REVISION

THIS DRAWING IS A CONTROLLED DOCUMENT.

OWN: A.CAI	16MAR2022	TE Connectivity NAME: MATE-AX HEADER ASSY-4 POS 90 DEGREE UNSEALED SIZE: A1 CAGE CODE: 00779 DRAWING NO: 2405707 RESTRICTED TO: -
CHK: D.ZHU	16MAR2022	
APPV: C.PAN	16MAR2022	
PRODUCT SPEC: 108-1019B3	APPLICATION SPEC: 116-101091	

DIMENSIONS: mm  
 TOLERANCES UNLESS OTHERWISE SPECIFIED:  
 0 PLC ±-  
 1 PLC ±0.5  
 2 PLC ±0.3  
 3 PLC ±-  
 4 PLC ±-  
 ANGLES ±-  
 FINISH ±-

MATERIAL: -  
 FINISH: -

CUSTOMER DRAWING SCALE: 5:1 SHEET 2 OF 2 REV AS

单击下面可查看定价，库存，交付和生命周期等信息

[>>TE Connectivity\(泰科\)](#)