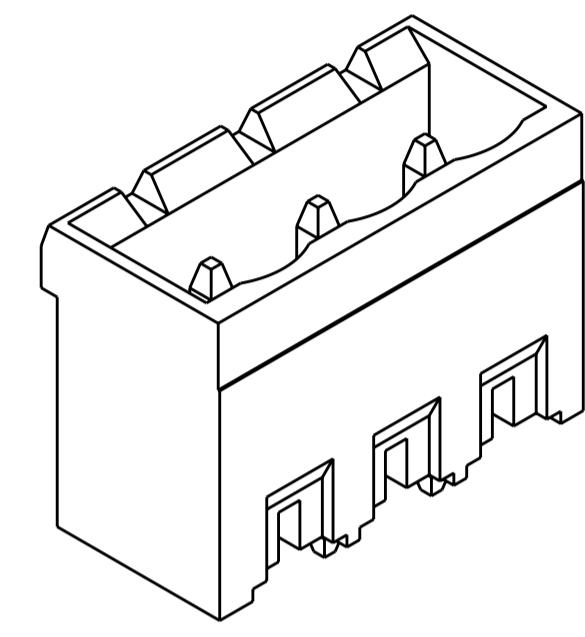
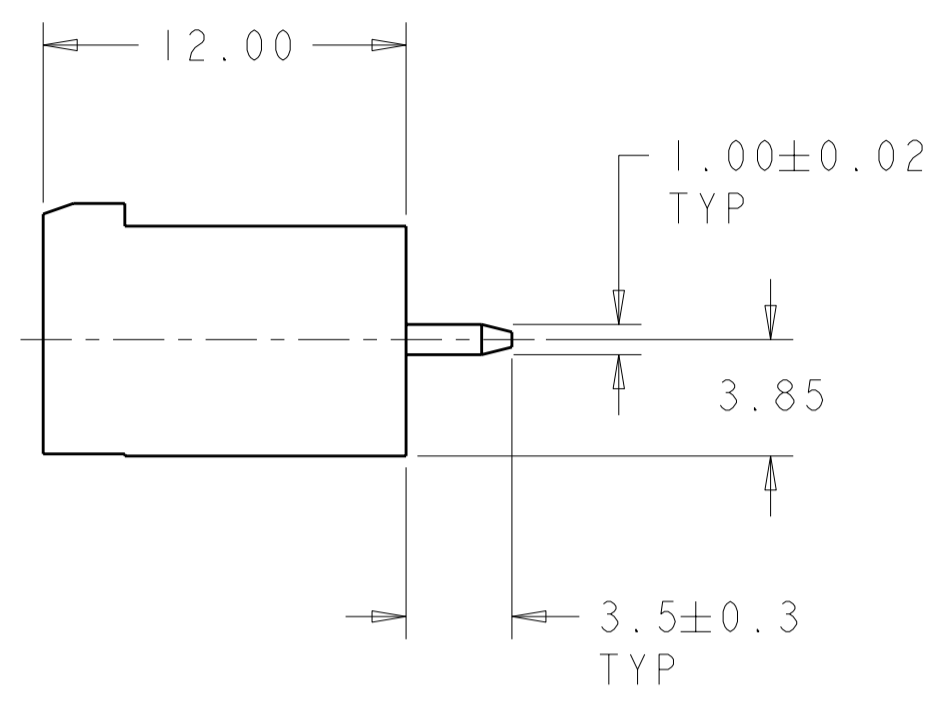
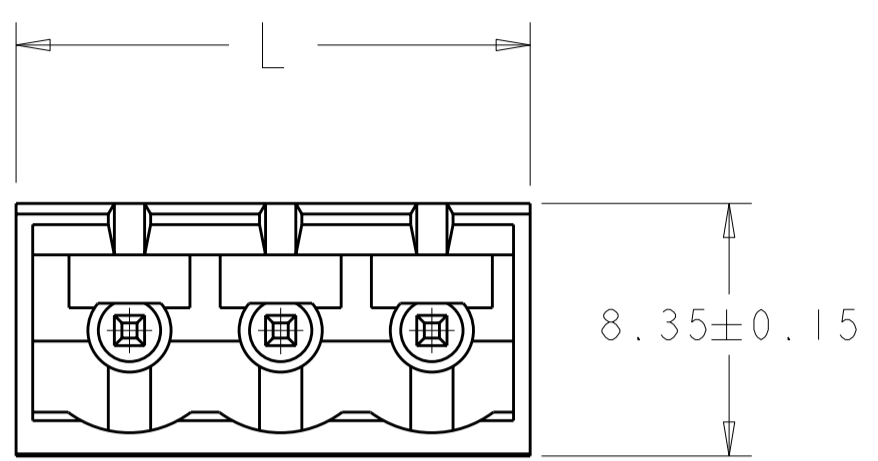
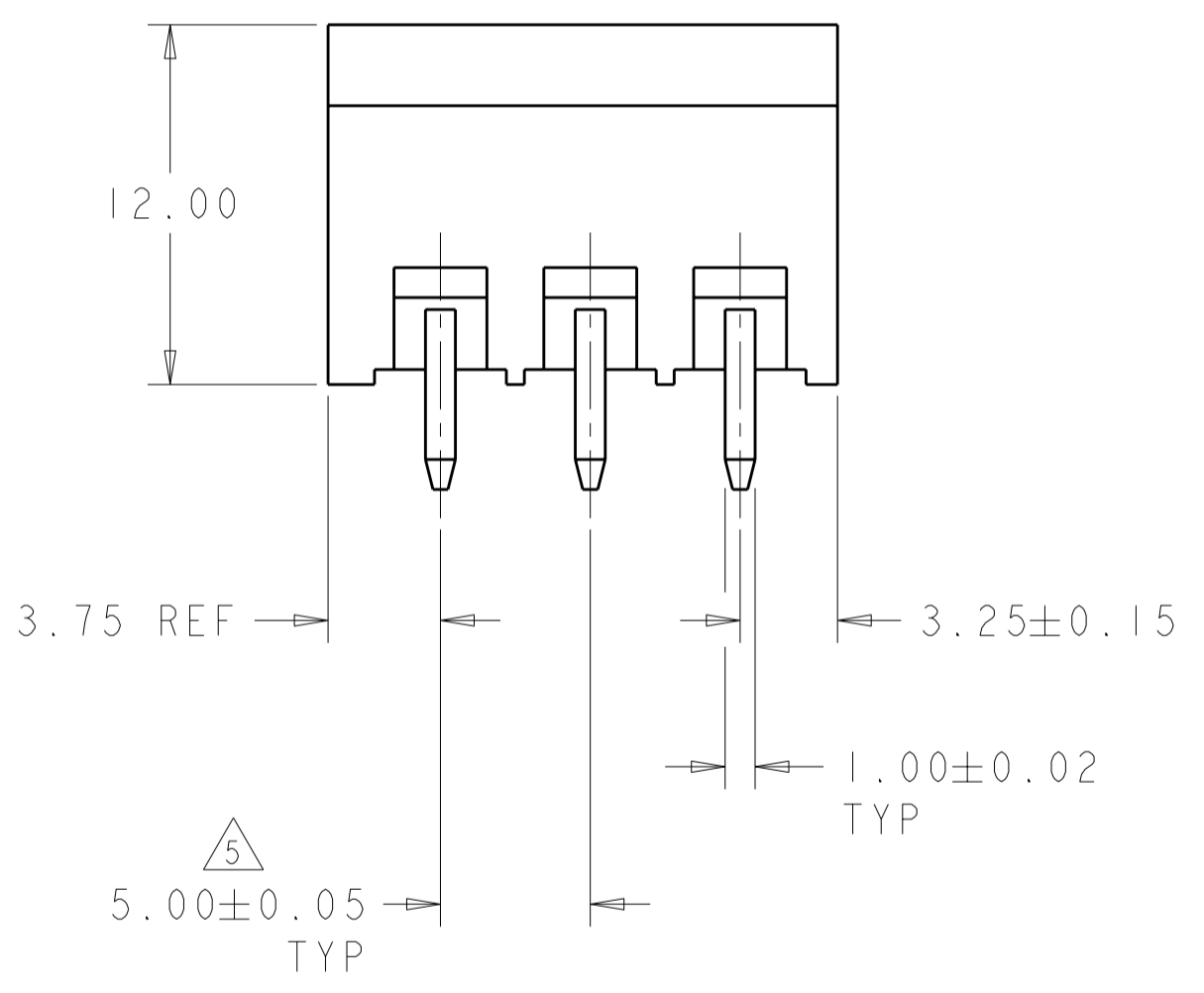


THIS DRAWING IS UNPUBLISHED. RELEASED FOR PUBLICATION 20
 © COPYRIGHT 20 BY - ALL RIGHTS RESERVED.

| LOC | | DIST | | REVISIONS | | | |
|-----|-----|---------------------------|-----------|-----------|------|--|--|
| P | LTR | DESCRIPTION | DATE | DWN | APVD | | |
| | A2 | REVISED PER ECO-12-007711 | 25APR2012 | KH | MS | | |



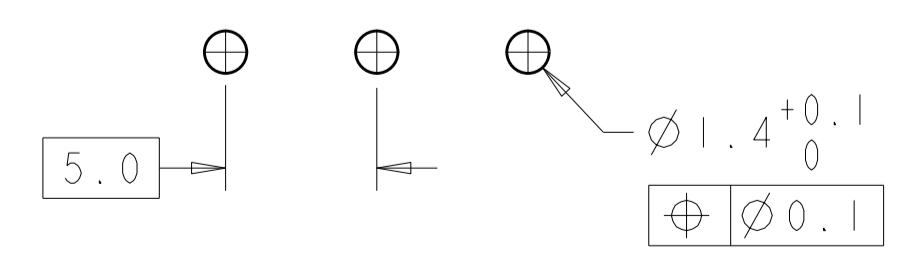
796643-3 AS SHOWN



- ⚠ MATERIALS AND FINISH:
 HOUSING: PA 6-6, UL 94-V0, COLOR: BLACK.
 TERMINAL: COPPER ALLOY, TIN PLATED.
- SUITABLE FOR 1,6-2, 4mm PC BOARD THICKNESS.
 - RECOGNIZED UNDER THE COMPONENT PROGRAM OF UNDERWRITERS LABORATORIES INC. FILE N° E60677.
 - IMQ CERTIFICATE WITH SURVEILLANCE IN CONFORMITY WITH IEC 998-1/998-2-1.)

⚠ NOT CUMULATIVE TOLERANCE

| 127.0 | 25 | 2-796643-5 |
|-------|------------|-------------|
| 122.0 | 24 | 2-796643-4 |
| 117.0 | 23 | 2-796643-3 |
| 112.0 | 22 | 2-796643-2 |
| 107.0 | 21 | 2-796643-1 |
| 102.0 | 20 | 2-796643-0 |
| 97.5 | 19 | 1-796643-9 |
| 92.0 | 18 | 1-796643-8 |
| 87.0 | 17 | 1-796643-7 |
| 82.0 | 16 | 1-796643-6 |
| 77.0 | 15 | 1-796643-5 |
| 72.0 | 14 | 1-796643-4 |
| 67.0 | 13 | 1-796643-3 |
| 62.0 | 12 | 1-796643-2 |
| 57.0 | 11 | 1-796643-1 |
| 52.0 | 10 | 1-796643-0 |
| 47.0 | 9 | 796643-9 |
| 42.0 | 8 | 796643-8 |
| 37.0 | 7 | 796643-7 |
| 32.0 | 6 | 796643-6 |
| 27.0 | 5 | 796643-5 |
| 22.0 | 4 | 796643-4 |
| 17.0 | 3 | 796643-3 |
| 12.0 | 2 | 796643-2 |
| DIM L | NO OF POSN | PART NUMBER |



RECOMMENDED PC BOARD LAYOUT

| | | | | |
|--|--|---|-----------------|---------------------|
| THIS DRAWING IS A CONTROLLED DOCUMENT. | | DWN S.WELDON 19OCT2000 | TE Connectivity | |
| DIMENSIONS: mm | | CHK D.BIEVENOUR 19OCT2000 | | |
| TOLERANCES UNLESS OTHERWISE SPECIFIED: | | APVD D.BIEVENOUR 19OCT2000 | | |
| 0 PLC ±- 1 PLC ±0.2 2 PLC ±- 3 PLC ±- 4 PLC ±- ANGLES ±- FINISH ±- | | PRODUCT SPEC - APPLICATION SPEC - WEIGHT - | | |
| MATERIAL | | NAME | | RESTRICTED TO |
| | | TERMI-BLOK HEADER ASSEMBLY, 180 DEGREE, CLOSED ENDS, 5.00mm PITCH | | - |
| CUSTOMER DRAWING | | SIZE A2 | CAGE CODE 00779 | DRAWING NO C-796643 |
| SCALE 4:1 | | SHEET 1 OF 1 | | REV A2 |

单击下面可查看定价，库存，交付和生命周期等信息

[>>TE Connectivity\(泰科\)](#)