

THIS DRAWING IS UNPUBLISHED. RELEASED FOR PUBLICATION SEP, 2005.

© COPYRIGHT 2005 BY TYCO ELECTRONICS CORPORATION. ALL RIGHTS RESERVED.

LOC	DIST	REVISIONS					
E	B	P	LTR	DESCRIPTION	DATE	DWN	APVD
		C		ECR-05-011509	21SEP05	JMS	FWK

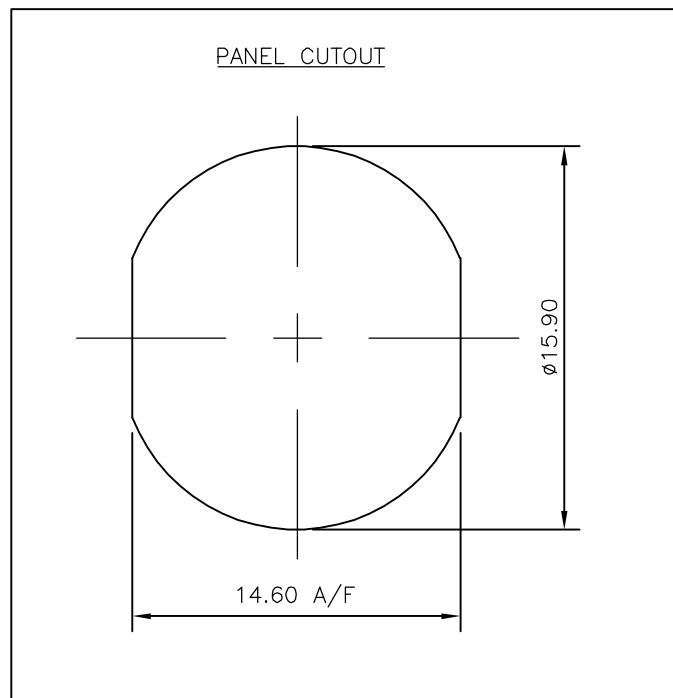
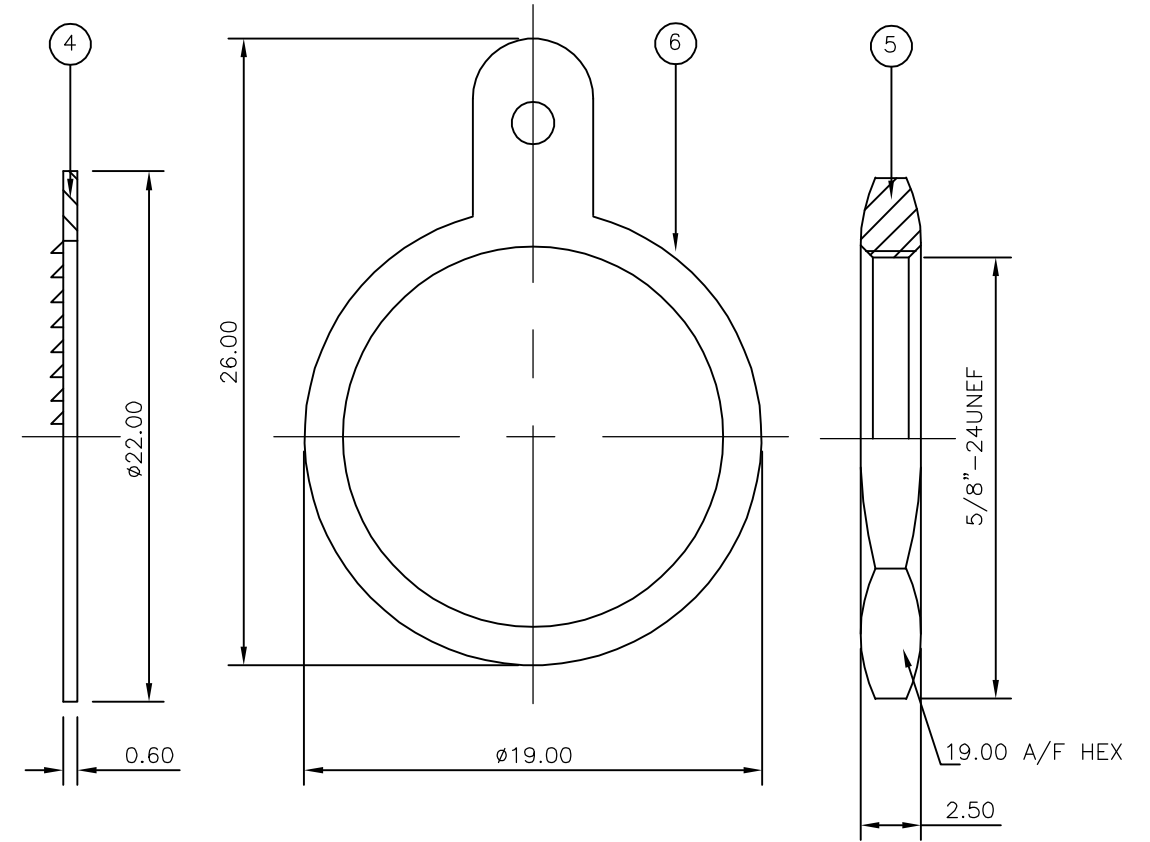
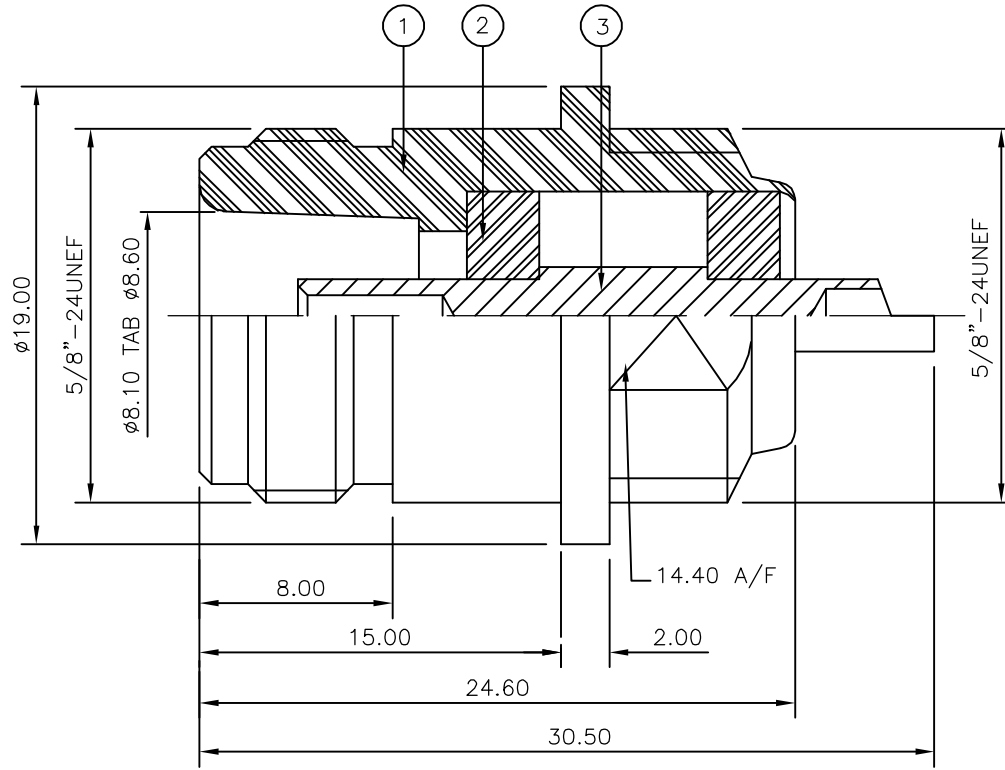
NOTES:

- 1 PACK IN ACCORDANCE WITH AMP SPEC 107-3275
- 2 100 TRAY PACK IN ACCORDANCE WITH AMP SPEC 107-3275
- 3 Ag PLATING
- 4. ELECTRICAL CHARACTERISTICS
 

FREQUENCY RANGE:	DC - 11 GHz
NOMINAL IMPEDANCE:	50 Ohm
INSULATION RESISTANCE:	5000 MOhm
WORKING VOLTAGE:	1000 Volts RMS at Sea Level
DIELECTRIC WITHSTAND VOLTAGE:	2500 Volts RMS Max
CONTACT RESISTANCE:	
CENTRE CONTACT:	1.00 mOhm Max
OUTER CONTACT:	1.00 mOhm Max
VSWR @ xGHz:	N/A
INSERTION LOSS xdb:	N/A
- 5. MECHANICAL CHARACTERISTICS
 

MOUNT NUT RECOMMENDED TORQUE:	6N
DURABILITY:	500 Cycles Min
- 6. ENVIRONMENTAL CHARACTERISTICS
 

OPERATING TEMPERATURE:	-65 to +165 DegC
------------------------	------------------



QTY	DESCRIPTION	MATERIAL	ITEM
1	SOLDER TAG	BRASS	6
1	HEX NUT	BRASS	5
1	WASHER	BRASS	4
1	CONTACT	BRASS	3
2	INSULATION	PTFE	2
1	BODY	BRASS	1
6--0	MATERIAL		
1--0	DESCRIPTION		

THIS DRAWING IS A CONTROLLED DOCUMENT.

DIMENSIONS: mm	TOLERANCES UNLESS OTHERWISE SPECIFIED:	DWN J.SANDWELL 21SEP05
	0 PLC ± -	CHK S.PARLOW 21SEP05
	1 PLC ± -	APVD F.WHEELER-KING 21SEP05
	2 PLC ± -	PRODUCT SPEC 108-3435
	3 PLC ± -	APPLICATION SPEC
	4 PLC ± -	WEIGHT
	ANGLES ± -	
MATERIAL SEE TABLE	FINISH SEE TABLE	

**tyco** Tyco Electronics Corporation  
**Electronics** Bideford EX39 4HE

NAME  
TYPE-N BULKHEAD SOCKET FRONT MOUNT 50 OHM

SIZE	CAGE CODE	DRAWING NO	RESTRICTED TO
A3	00779	C-1337417	-

CUSTOMER DRAWING SCALE NTS SHEET 1 OF 1 REV C

单击下面可查看定价，库存，交付和生命周期等信息

[>>TE Connectivity\(泰科\)](#)