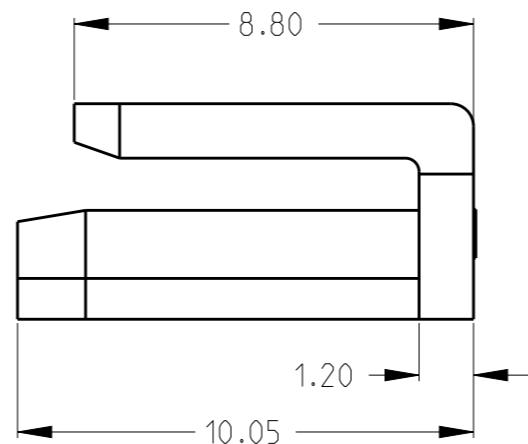
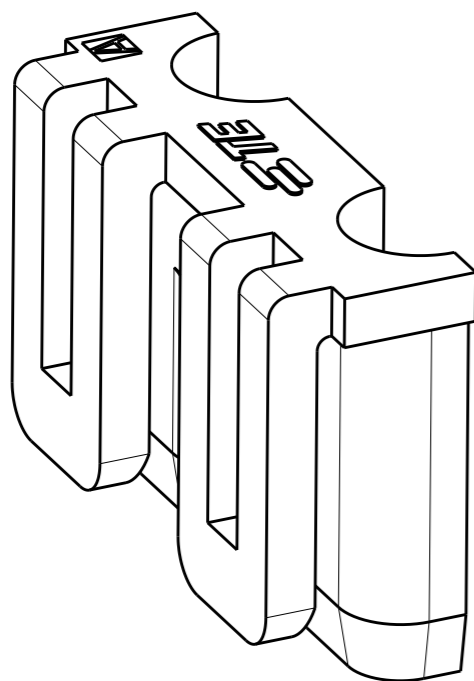
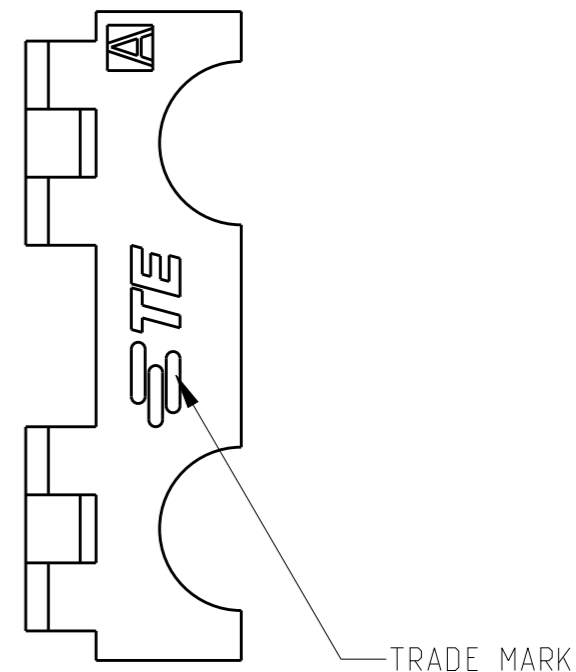
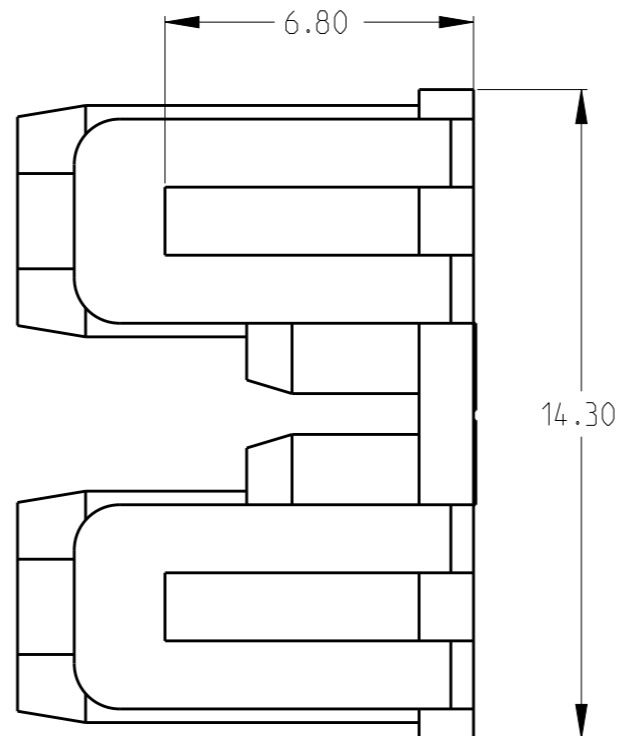
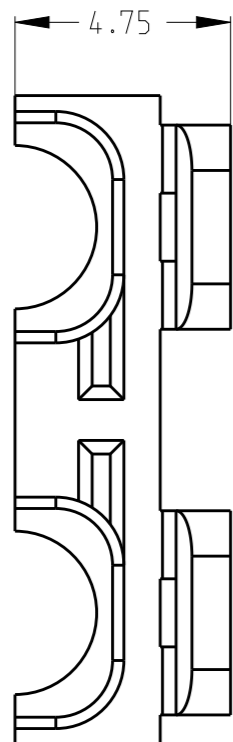



THIS DRAWING IS UNPUBLISHED. RELEASED FOR PUBLICATION  
 © COPYRIGHT 19 BY - ALL RIGHTS RESERVED.

LOC	DIST	REVISIONS					
ES	00	P	LTR	DESCRIPTION	DATE	DWN	APVD
			A	RELEASED	19AUG2011	L.L	E.K
			A1	ADD "GWT REQUIREMENTS" IN NOTE 3.	11OCT2012	D.Z	YH.M
			A2	REVISED PER ECR-17-000612	06FEB2017	N.L	D.Z



NOTE:  
 1.MATERIAL:THERMOPLASTIC, UL94 V-0, COLOR: NATURAL  
 2.MATING CONN. P/N:1983659-\*.  
 3.PRODUCT COMPLY WITH GLOW WIRE REQUIREMENTS FOR PARTS OF NON-METALLIC MATERIAL SUPPORTING A CURRENT-CARRYING CONNECTION DETAILED IN IEC 60335-1, SECTION 30 (GWT).

2500*4	3-1983666-1
1500*8	1983666-1
PACKAGE QUANTITY(PCS)	PART NO.

THIS DRAWING IS A CONTROLLED DOCUMENT.		DWN	LEO LIU	19AUG2011	 TE Connectivity	NAME		2 POS DOUBLE LOCK PLATE MULTI 6P CONNECTOR	
DIMENSIONS:		CHK	HAPYE WU	19AUG2011		PRODUCT SPEC		108-106071	
TOLERANCES UNLESS OTHERWISE SPECIFIED:		APVD	ERIC KONG	19AUG2011		APPLICATION SPEC		-	
mm					SIZE	CAGE CODE	DRAWING NO	RESTRICTED TO	
0 PLC ± 1 PLC ±0.5 2 PLC ±0.30 3 PLC ±0.200 4 PLC ±0.2000 ANGLES ±		MATERIAL		FINISH	WEIGHT	A3	-	©=1983666	-
-		-		-	CUSTOMER DRAWING	SCALE	N/A	SHEET	1 OF 1
								REV	A2

单击下面可查看定价，库存，交付和生命周期等信息

[>>TE Connectivity\(泰科\)](#)