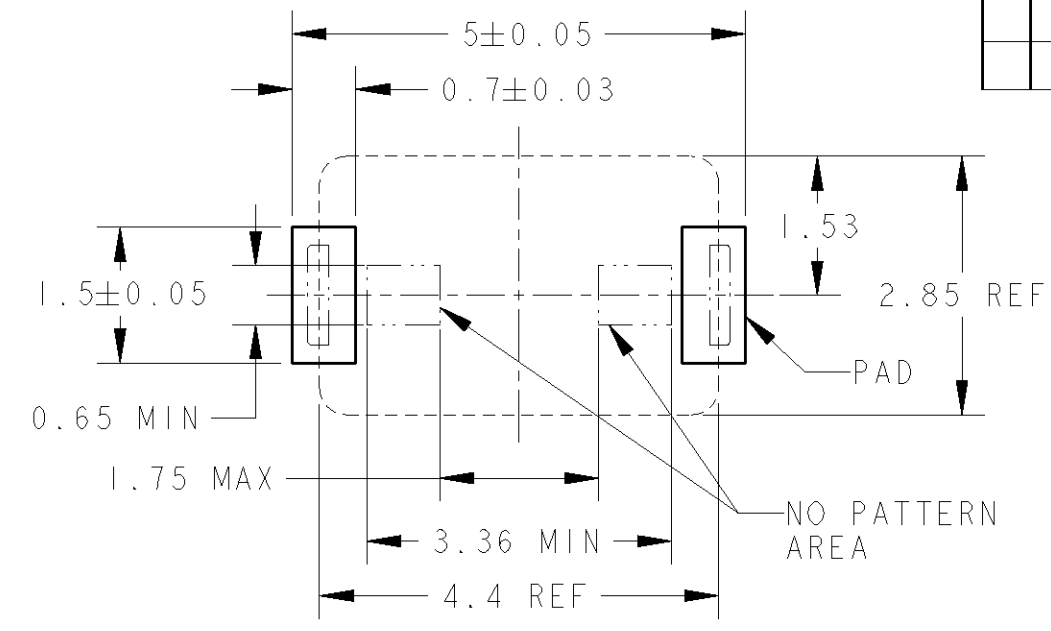
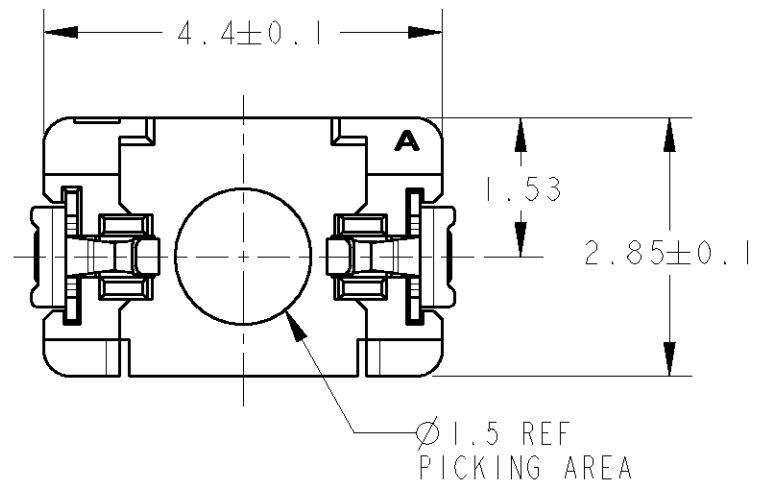


THIS DRAWING IS UNPUBLISHED. RELEASED FOR PUBLICATION 2007
 © COPYRIGHT 2007 BY TYCO ELECTRONICS CORPORATION. ALL RIGHTS RESERVED.

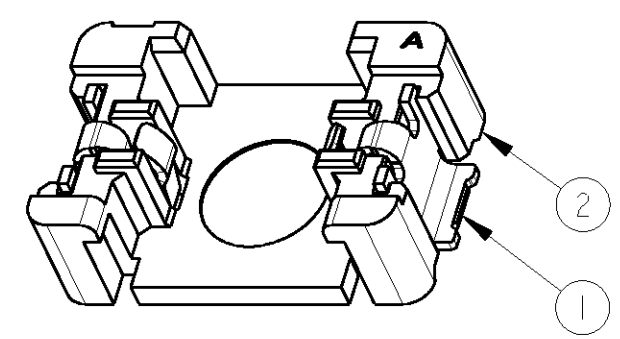
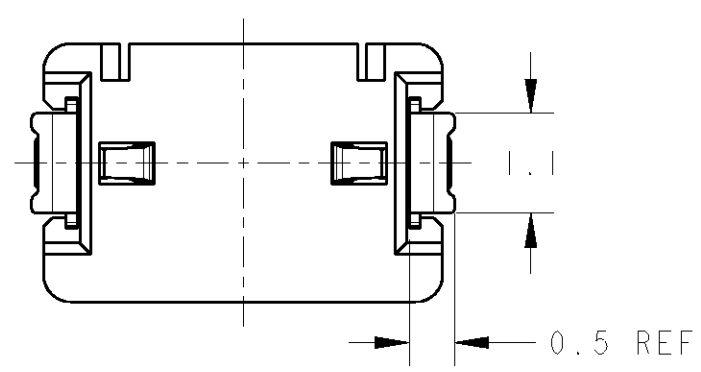
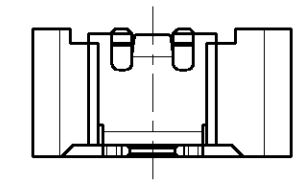
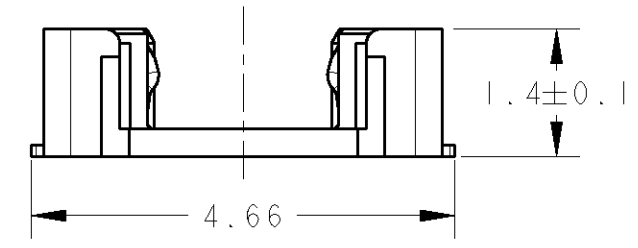
LOC	DIST	REVISIONS					
		P	LTR	DESCRIPTION	DATE	DWN	APVD
J	-		AI	REVISED	30AUG2007	R.T	Y.N



-1:本図
 -1:AS SHOWN

↓ CONNECTED WIRE DRAWS THIS DIRECTION

REFERENCE PC BOARD LAYOUT TOP VIEW, SCALE 12:1



- NOTE
- MATERIAL AND FINISH: SEE TABLE
 - COPLANARITY: 0.10 MAX, BASED ON THE FLOATING TERMINAL FROM FLAT SURFACE.
 - RECOMMENDED THICKNESS OF METAL MASK FOR SOLDERING: 0.100mm MIN. ALSO ADD RECOMMEND THAT HOLE-DIMENSION ON MASK MEETS 100% TO REFERENCE PC BOARD LAYOUT.

MATERIAL, FINISH	DESCRIPTION	ITEM
THERMO PLASTIC (LCP), HALOGEN FREE MATERIAL	HOUSING	②
PBR, ALL SURFACE: Ni UNDER PLATING, 1.3µm MIN CONTACT AREA: Au PLATING, 0.3µm MIN SOLDERING AREA: Au FLASH PLATING, 0.05 TO 0.2µm	CONTACT	①

NOTICE:
 THIS DRAWING INCLUDES TYCO ELECTRONICS CONFIDENTIAL OR PROPRIETARY INFORMATION THAT MAY ALSO BE LEGALLY PRIVILEGED.

THIS DRAWING IS A CONTROLLED DOCUMENT FOR TYCO ELECTRONICS CORPORATION. IT IS SUBJECT TO CHANGE AND THE CONTROLLING ENGINEERING ORGANIZATION SHOULD BE CONTACTED FOR THE LATEST REVISION.

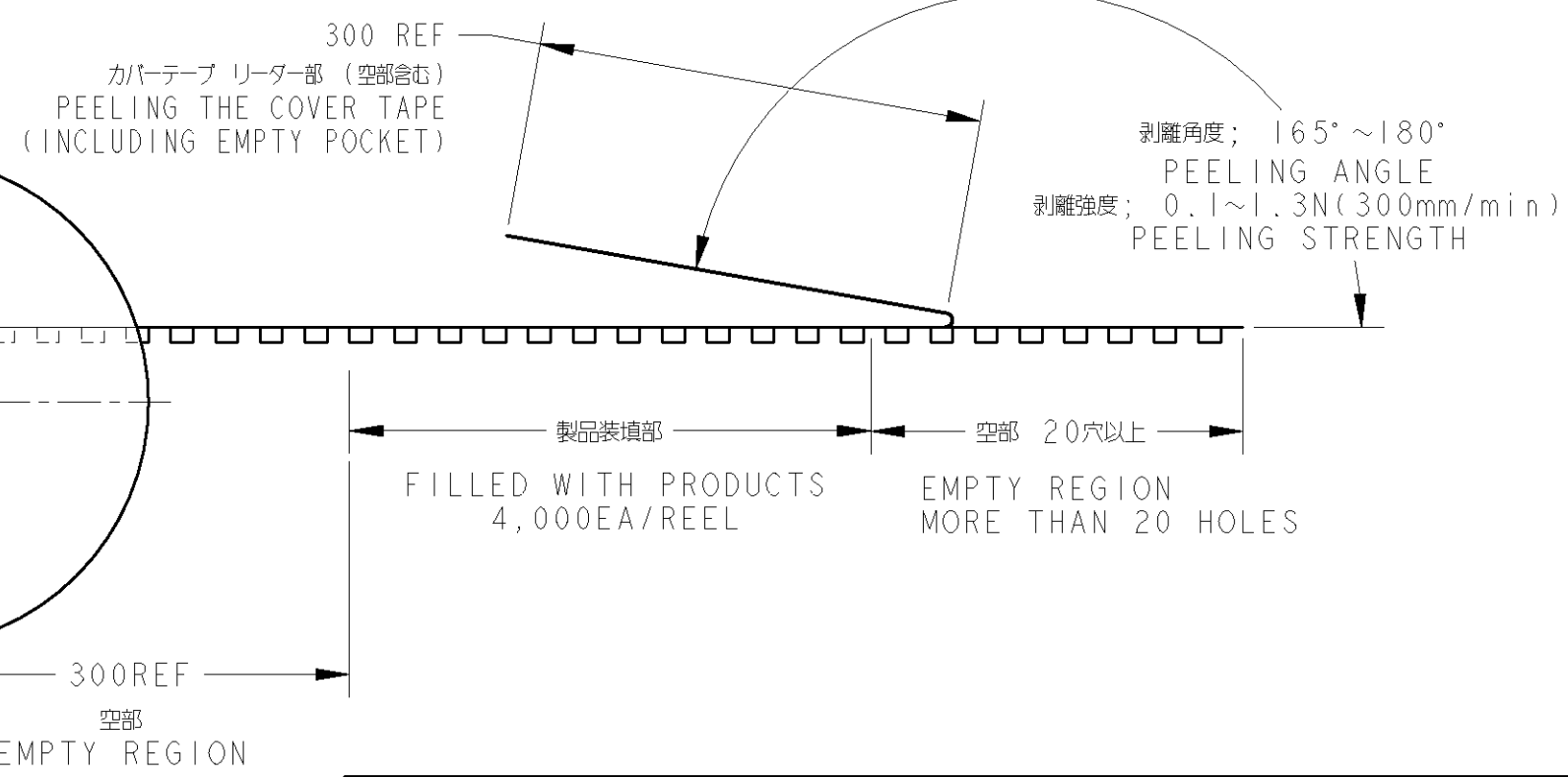
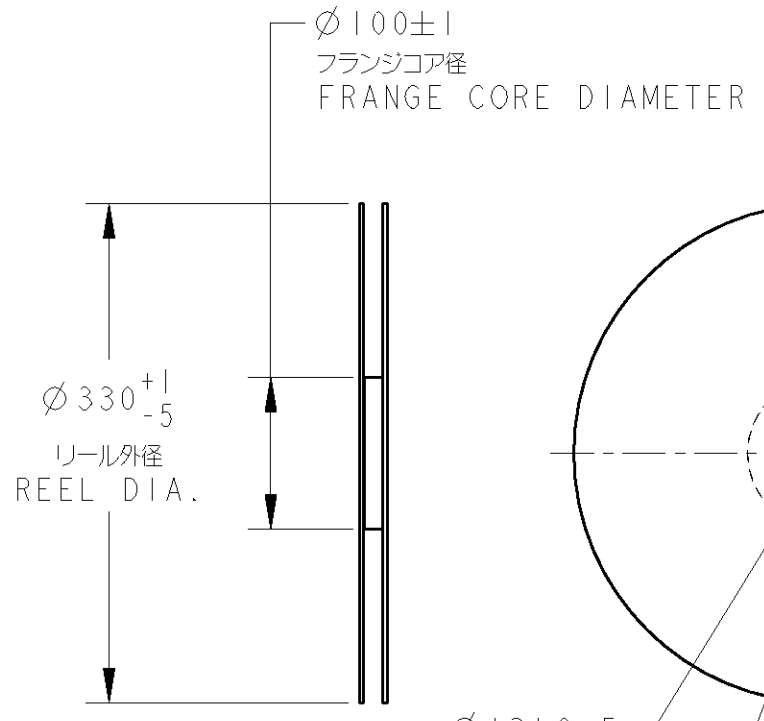
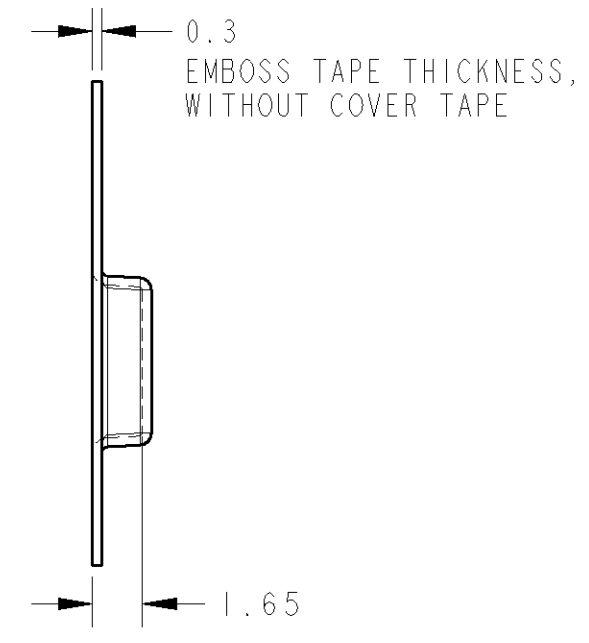
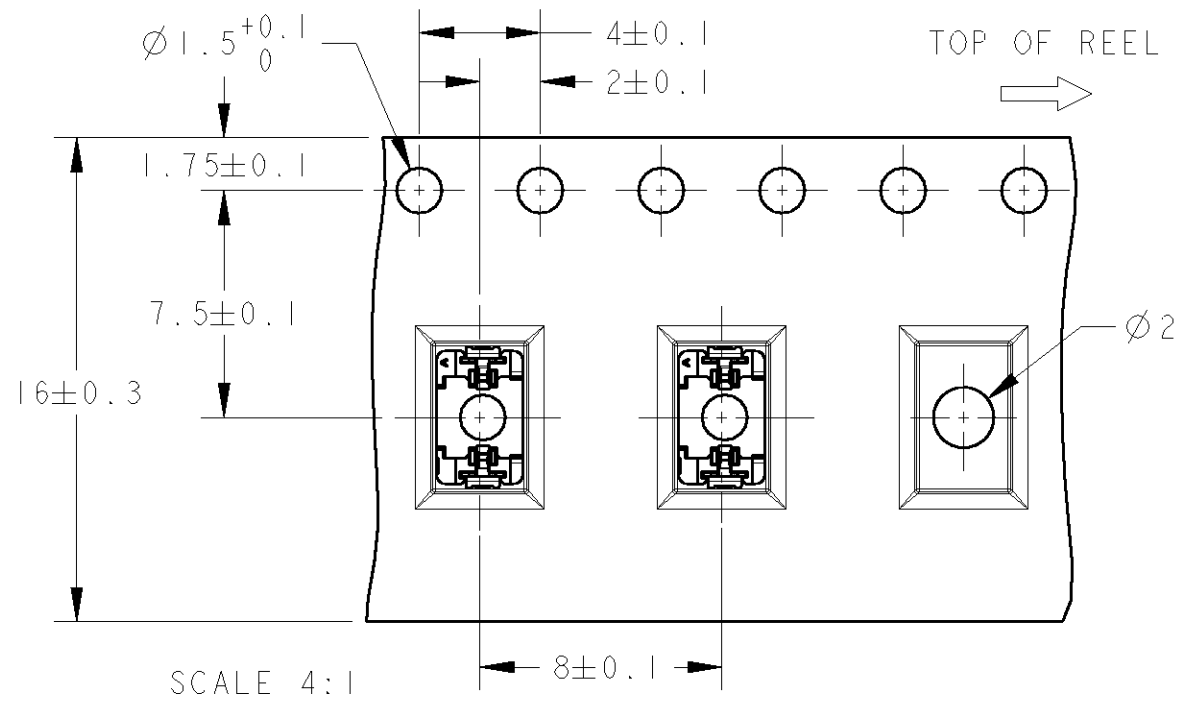
DIMENSIONS:	TOLERANCES UNLESS OTHERWISE SPECIFIED:
mm	
0 PLC	±0.2
1 PLC	±0.15
2 PLC	±0.1
3 PLC	±0.1
4 PLC	±0.1
ANGLES	±5

MATERIAL	FINISH
SEE TABLE	SEE TABLE

DWN R.TANAKA 19JAN2007	Tyco Electronics AMP K.K. Kawasaki, Japan			
CHK C.OHASHI 19JAN2007				
APVD Y.NAKAZAWA 19JAN2007				
PRODUCT SPEC 108-78466				
APPLICATION SPEC 114-5426	NAME MICRO SLP CONNECTOR 0.8mm PITCH BOARD CONNECTOR			
WEIGHT 0.018g	SIZE A3	CAGE CODE 00779	DRAWING NO C=1981813	RESTRICTED TO -
CUSTOMER DRAWING	SCALE 12:1	SHEET 1 OF 2	REV A1	

THIS DRAWING IS UNPUBLISHED. RELEASED FOR PUBLICATION 2007
 © COPYRIGHT 2007 BY TYCO ELECTRONICS CORPORATION. ALL RIGHTS RESERVED.

LOC	DIST	REVISIONS					
		P	LTR	DESCRIPTION	DATE	DWN	APVD
J	-	-	-	SEE SHEET 1	-	-	-



NOTICE:
THIS DRAWING INCLUDES TYCO ELECTRONICS CONFIDENTIAL OR
PROPRIETARY INFORMATION THAT MAY ALSO BE LEGALLY PRIVILEGED.

<small>THIS DRAWING IS A CONTROLLED DOCUMENT FOR TYCO ELECTRONICS CORPORATION IT IS SUBJECT TO CHANGE AND THE CONTROLLING ENGINEERING ORGANIZATION SHOULD BE CONTACTED FOR THE LATEST REVISION.</small>		DWN R.TANAKA 19JAN2007 CHK C.OHASHI 19JAN2007 APVD Y.NAKAZAWA 19JAN2007		Tyco Electronics AMP K.K. Kawasaki, Japan	
DIMENSIONS: mm		TOLERANCES UNLESS OTHERWISE SPECIFIED: 0 PLC ±0.2 1 PLC ±0.15 2 PLC ±0.1 3 PLC ±0.1 4 PLC ±0.1 ANGLES ±5		NAME MICRO SLP CONNECTOR 0.8mm PITCH BOARD CONNECTOR	
MATERIAL SEE TABLE		FINISH SEE TABLE		PRODUCT SPEC 108-78466 APPLICATION SPEC 114-5426 WEIGHT 0.018g	
CUSTOMER DRAWING		SIZE A3 CAGE CODE 00779 C=1981813		RESTRICTED TO -	
		SCALE 12:1		SHEET 2 OF 2 REV A1	

单击下面可查看定价，库存，交付和生命周期等信息

[>>TE Connectivity\(泰科\)](#)