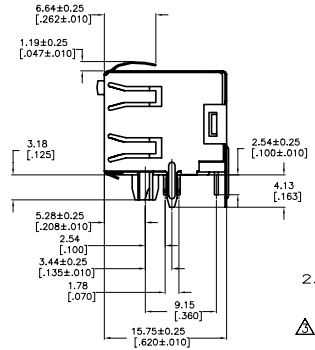
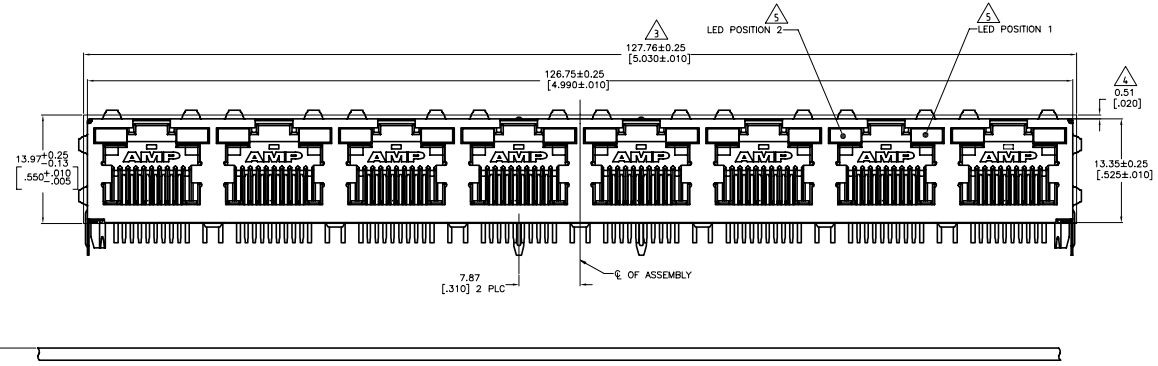
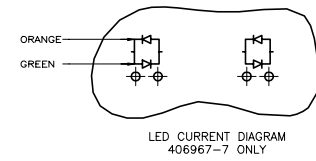
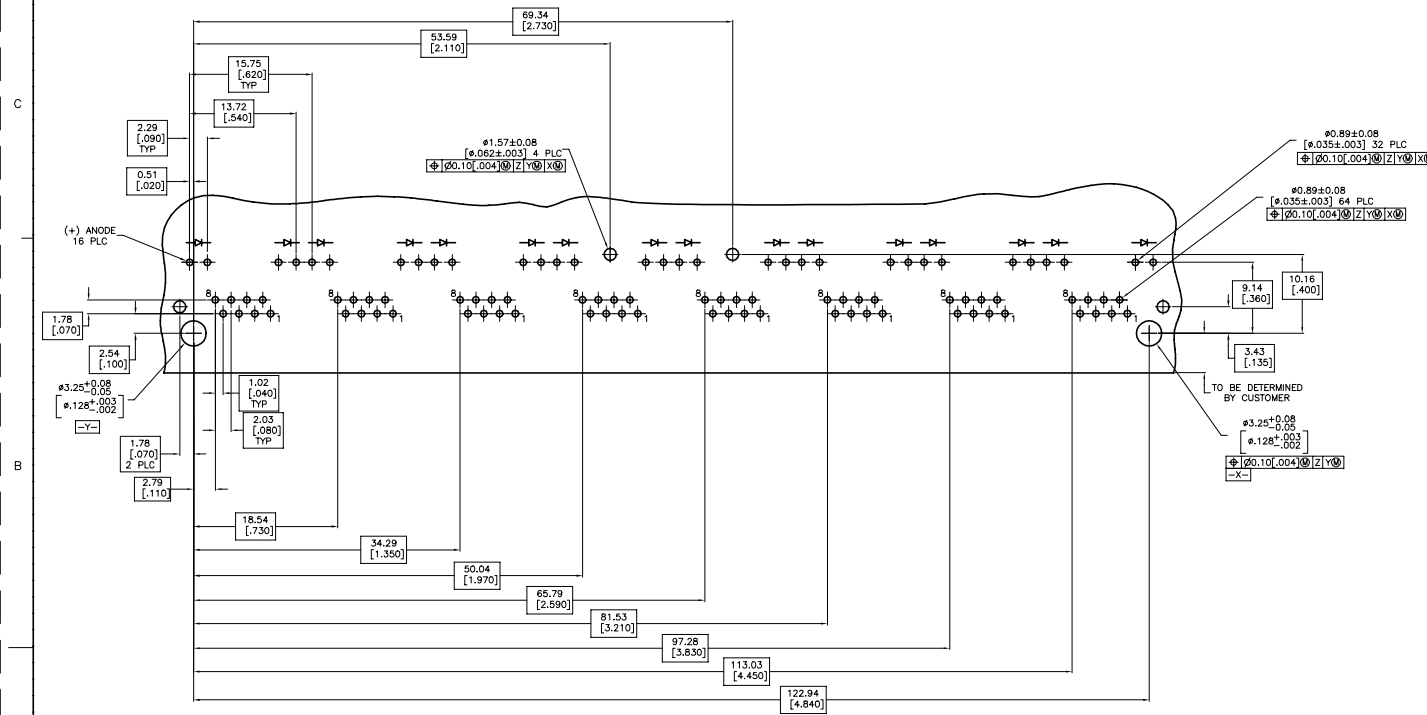


| REVISIONS |           |               |    |      |
|-----------|-----------|---------------|----|------|
| REV       | DATE      | DESCRIPTION   | BY | APPD |
| E2        | 29AUG2020 | ECO-18-014918 | RR | SH   |



- MATERIAL:  
HOUSING — HIGH TEMPERATURE THERMOPLASTIC, COLOR: BLACK, UL94V-0  
TERMINALS — 0.36[.014] THICK PHOS BRONZE PLATED WITH 3.81µm[.000150] MIN THICK BRIGHT TIN LEAD IN SOLDER AREA, 1.27µm[.000050] MIN GOLD IN LOCALIZED PLATE AREA. ENTIRE TERMINAL PLATED WITH 1.27µm[.000050] MIN THICK NICKEL.  
SHIELD — 0.196[.0077] THICK COPPER ZINC ALLOY PREPLATED WITH 1.27µm[.000050] MIN SATIN NICKEL WITH 2.03µm[.000080] MIN TIN POST DIPPED ON PCB GROUND TABS  
LIGHT EMITTING DIODE (LED) — DIFFUSED EPOXY LENS, 0.51 X 0.51[.020 X .020] CARBON STEEL WIREFRAME LEADS PLATED WITH 8.89µm[.000350] TIN/COPPER OVER 2.03µm[.000080] SILVER OVER 1.02µm[.000040] NICKEL UNDERPLATE OVER 2.03µm[.000080] COPPER UNDERPLATE
- JACK CAVITY CONFORMS TO FCC RULES AND REGULATIONS PART 68, SUBPART F.
- SUGGESTED PANEL OPENING DIMENSIONS.
- SUGGESTED CLEARANCE BETWEEN TOP OF CONNECTOR AND TOP PANEL OPENING.
- SEE TABLE FOR COLOR OF LEDES AND NUMBER REQUIRED.
- THIS MODULAR JACK WITH INTEGRATED LED IS NOT IR REFLOW SOLDERING PROCESS COMPATIBLE.
- OBSOLETE PARTS: OBSOLETE CIS STREAMLINING PER D.RENAUD/D.SINISI



|          | ORANGE/GREEN                     | ORANGE/GREEN | 406967-7    |
|----------|----------------------------------|--------------|-------------|
| OBsolete | YELLOW                           | YELLOW       | 406967-6    |
| OBsolete | GREEN                            | GREEN        | 406967-5    |
| OBsolete | GREEN                            | YELLOW       | 406967-4    |
| OBsolete | YELLOW                           | -            | 406967-3    |
| OBsolete | -                                | GREEN        | 406967-2    |
| OBsolete | YELLOW                           | GREEN        | 406967-1    |
|          | POSITION 2                       | POSITION 1   | PART NUMBER |
|          | INDICATOR COLOR FOR EACH HOUSING |              |             |

THIS DRAWING IS A CONTROLLED DOCUMENT. DATE: 22SEP97  
 DIMENSIONS: mm (INCHES)  
 DRAWN BY: WOOTEN  
 CHECKED BY: SPRINKLE  
 APPROVED BY: M. DESTINE  
 PRODUCT SPEC: 108-1163-4  
 APPLICATION SPEC: 114-2154  
 MATERIAL: SEE NOTE 1  
 FINISH: SEE NOTE 1  
 WEIGHT: 0.000000  
 CUSTOMER DRAWING  
 SCALE: 3:1  
 SHEET: 1 of 1  
 REV: F2

单击下面可查看定价，库存，交付和生命周期等信息

[>>TE Connectivity\(泰科\)](#)