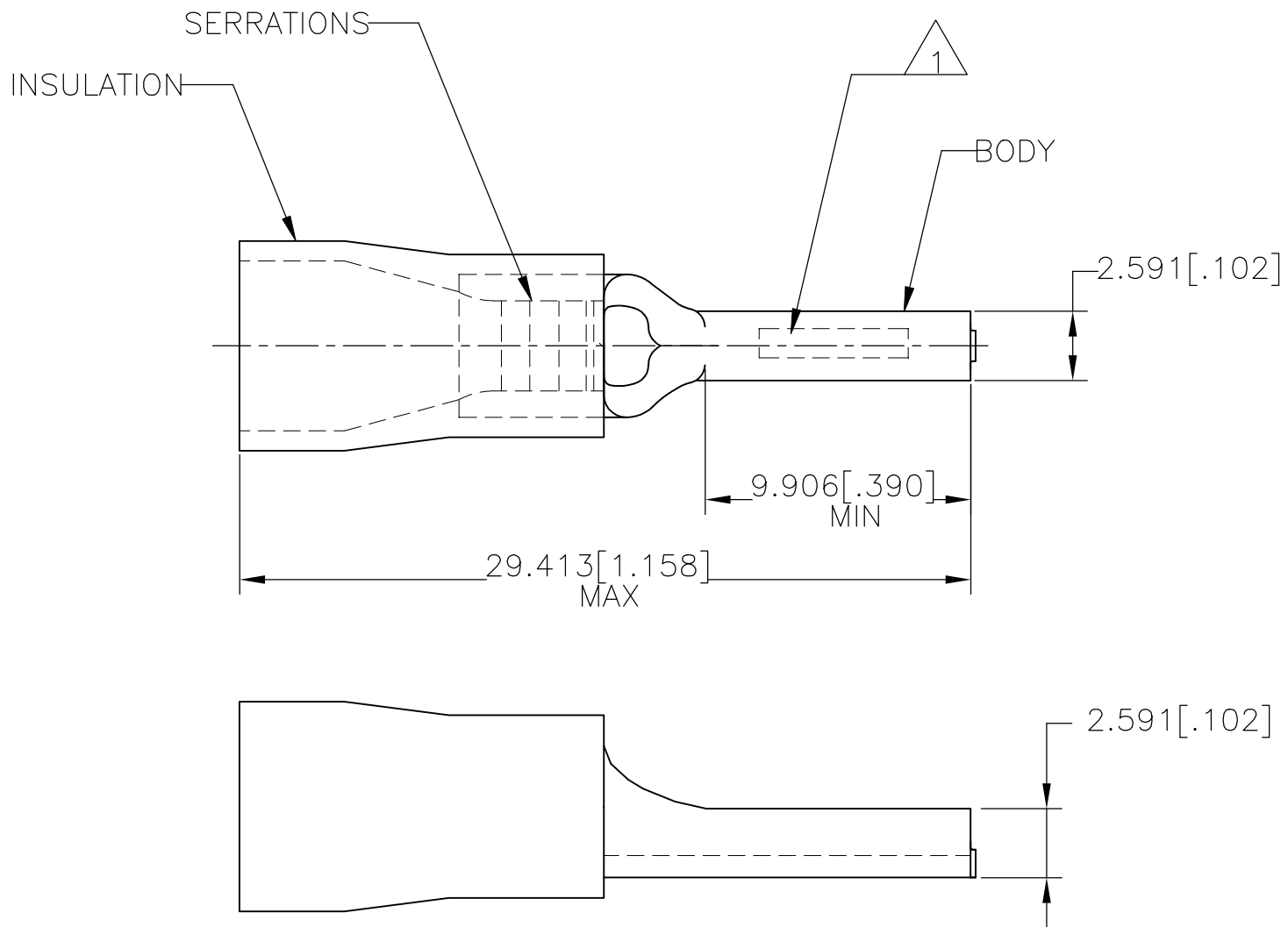


REVISIONS					
P	LTR	DESCRIPTION	DATE	DWN	APVD
	C4	REVISED PER ECO-15-009497	02JUL2015	NK	DR
	C5	REVISED PER ECO-17-014338	15MAY2018	RS	DR

AMP WIRE RANGE	AW FILE E13288
12-10 AWG STRANDED	12-10 AWG STRANDED



- 1 STAMP AMP 12-10* APPROX AS SHOWN.
- 2 WIRE INSULATION DIA: 3.810-6.350 [.150-.250].
- 3 BODY MATERIAL THK: 0.991±0.051 [.039±.002].
- 4 MATERIAL: BODY - CU PER ASTM B152
INSULATION - PVC.
- 5 NOTE DELETED.

500	LOOSE PIECE	165085
QTY	PACKAGE TYPE	PART NO.

AMP INCORPORATED CUSTOMER SERVICE SYSTEMS		MAX RECOMMENDED OPERATING TEMPERATURE: 105°C [221°F]	THIS DRAWING IS A CONTROLLED DOCUMENT.		DWN JR RUTH 23MAR07	STE TE Connectivity Ltd.			
FOR ADDITIONAL PRODUCT INFORMATION OR COPIES OF DRAWINGS AND TECHNICAL DOCUMENTS	PRODUCT INFORMATION CENTER 1-800-522-6752	VOLTAGE RATING: 600 V MAX	DIMENSIONS: mm [INCHES]	TOLERANCES UNLESS OTHERWISE SPECIFIED:	CHK T MICHELUTTI 23MAR07				NAME TERMINAL, WIRE PIN, PLASTI-GRIP WIRE SIZE 12-10 AWG
FOR APPLICATION TOOLING INFORMATION	TOOLING ASSISTANCE CENTER 1-800-722-1111	CIRCULAR MIL AREA: 2.62-6.64mm ² [5,180-13,100] STRANDED		0 PLC ± - 1 PLC ± - 2 PLC ± - 3 PLC ± 0.127 [.005] 4 PLC ± - ANGLES ± -	APVD T MICHELUTTI 23MAR07	PRODUCT SPEC UL486A-B			
FOR ORDER ENTRY	1-800-526-5142		MATERIAL 	FINISH BODY: TIN PER ASTM B545 INSULATION: COLOR-YELLOW	APPLICATION SPEC 114-2161	SIZE A3	CAGE CODE 00779	DRAWING NO C-165085	RESTRICTED TO -
					WEIGHT CUSTOMER DRAWING	SCALE 4:1	SHEET 1 OF 1	REV C5	

单击下面可查看定价，库存，交付和生命周期等信息

[>>TE Connectivity\(泰科\)](#)