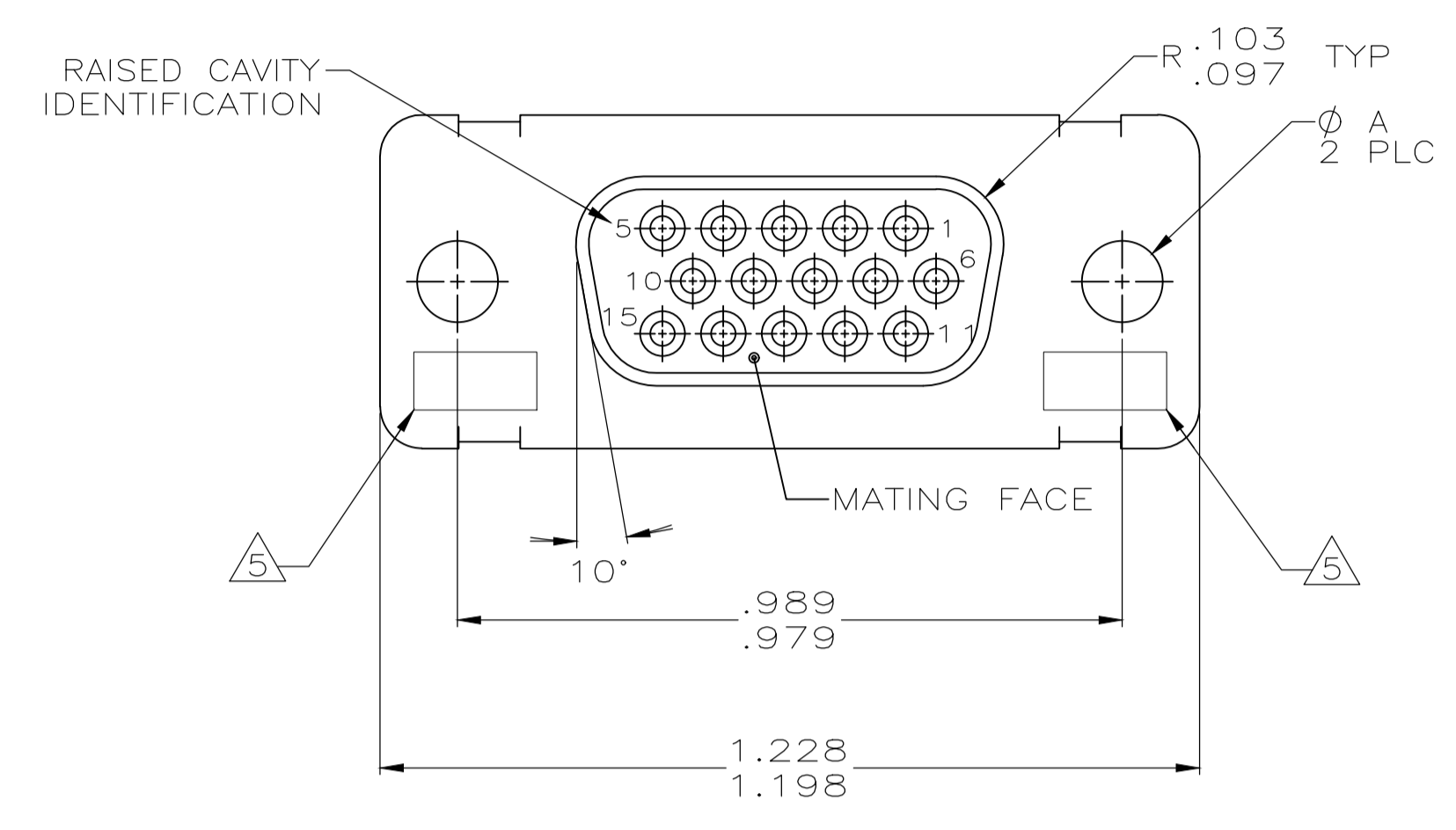
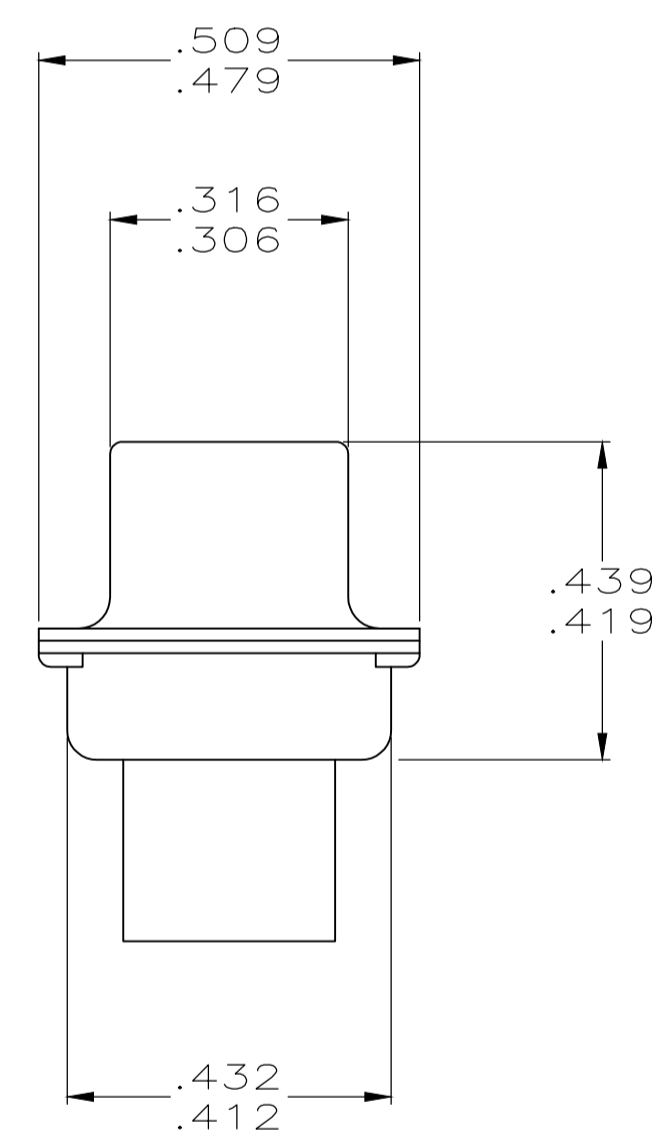
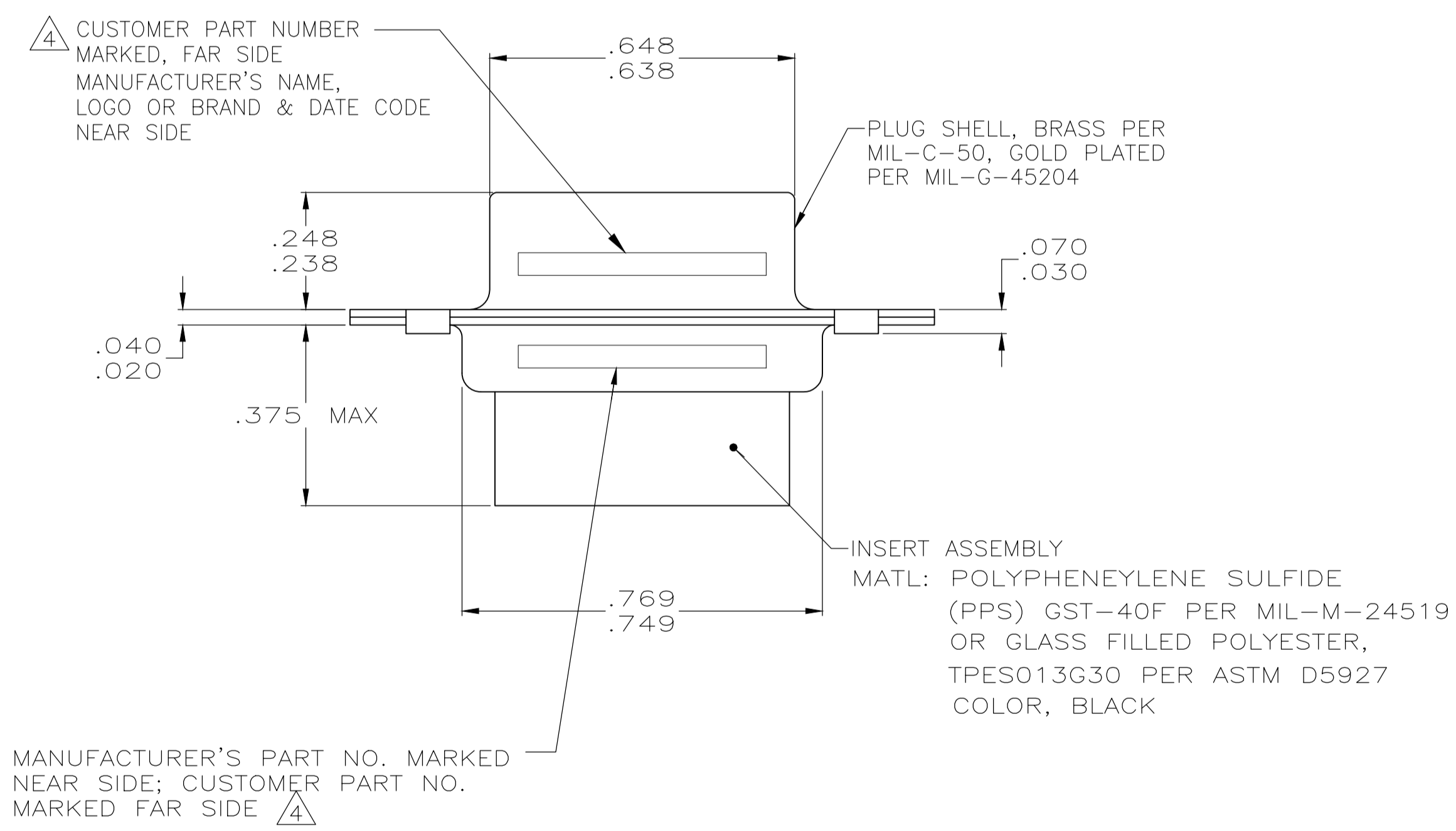


REVISIONS					
P	LTR	DESCRIPTION	DATE	DMN	APVD
AB	REV PER ECO	20-005104	5-28-20	CT	DM



- THIS RECEPTACLE WILL MATE WITH ANY PLUG CONNECTOR WITH THE SAME INSERT ARRANGEMENT AS DEFINED BY MS18273-2.
 - MAXIMUM WIRE INSULATION TO BE USED WITH THIS RECEPTACLE IS .054 DIA.
 - BE. CU. RETENTION CLIPS ARE INCLUDED IN INSERTS.
- △ CUSTOMER PART NUMBER MAY BE SPLIT BETWEEN FRONT AND REAR SHELL, SAME SIDE.
 - △ UL/CSA DESIGNATION STAMPED IN THIS AREA, OPTIONAL.
 - △ INSPECTION REQUIREMENTS PER R4383.
 - △ CONNECTOR SUPPLIED WITH 17 CONTACTS, AMP PART NUMBER 206071-1. INSPECTION REQUIREMENTS PER R4383.
 - △ CONNECTOR SUPPLIED WITH 25 CONTACTS, AMP PART NUMBER 206071-1. INSPECTION REQUIREMENTS PER R4383.
 - △ THESE CONNECTORS ARE QUALIFIED TO GODDARD SPACE FLIGHT CENTER SPECIFICATIONS S-311-P-4.
 - △ 10 RESTRICTED TO CAE ELECTRONICS ONLY.



AMP P/N 206071-1
GSFC P/N G-08-S1
(SUPPLIED WITH 206499-6 AND 206499-7 ONLY)

.120		570566-1	1-206499-0	1-206499-0
.154	△ 10 △ 9	311P407-1S-B-15	206499-1	206499-9
.120	△ 10 △ 9	311P407-1S-B-12	206499-4	206499-8
.120	△ 8	20025720P1015S	206499-7	206499-7
.120	△ 7 △ 8	R4383 P15S	206499-6	206499-6
.120	△ 6	R4383 P15S-2	206499-5	206499-5
.120	△ 9	311P407-1S-B-12	206499-4	206499-4
.154		----	206499-3	206499-3
.120		R9259P15S	206499-2	206499-2
.154	△ 9	311P407-1S-B-15	206499-1	206499-1
Ø A	REMARKS	CUSTOMER P/N	MARKED AMP P/N	PART NO

THIS DRAWING IS A CONTROLLED DOCUMENT. DIMENSIONING AND TOLERANCING PER ASME Y14.5M (ISO STANDARDS). TOLERANCES UNLESS OTHERWISE SPECIFIED:

DIMENSIONS: INCHES	0 PLC ± .005	1 PLC ± .005	2 PLC ± .005	3 PLC ± .005	4 PLC ± .005	ANGLES ± .005
--------------------	--------------	--------------	--------------	--------------	--------------	---------------

MATERIAL: SEE CALLOUTS FINISH: SEE CALLOUTS WEIGHT: 0.000000

APPROVED: P. YEAGER 020CT2006
CHK: D. MILLER 050CT06
APP'D: D. MILLER 050CT06

NAME: RECEPTACLE FOR SOCKET CONTACTS HIGH DENSITY D, 15 POSN, SIZE 1 NONMAGNETIC

SIZE: A1 CAGE CODE: 00779 DRAWING NO: 206499

CUSTOMER DRAWING SCALE: 4:1 SHEET: 1 OF 1 REV: AB

单击下面可查看定价，库存，交付和生命周期等信息

[>>TE Connectivity\(泰科\)](#)