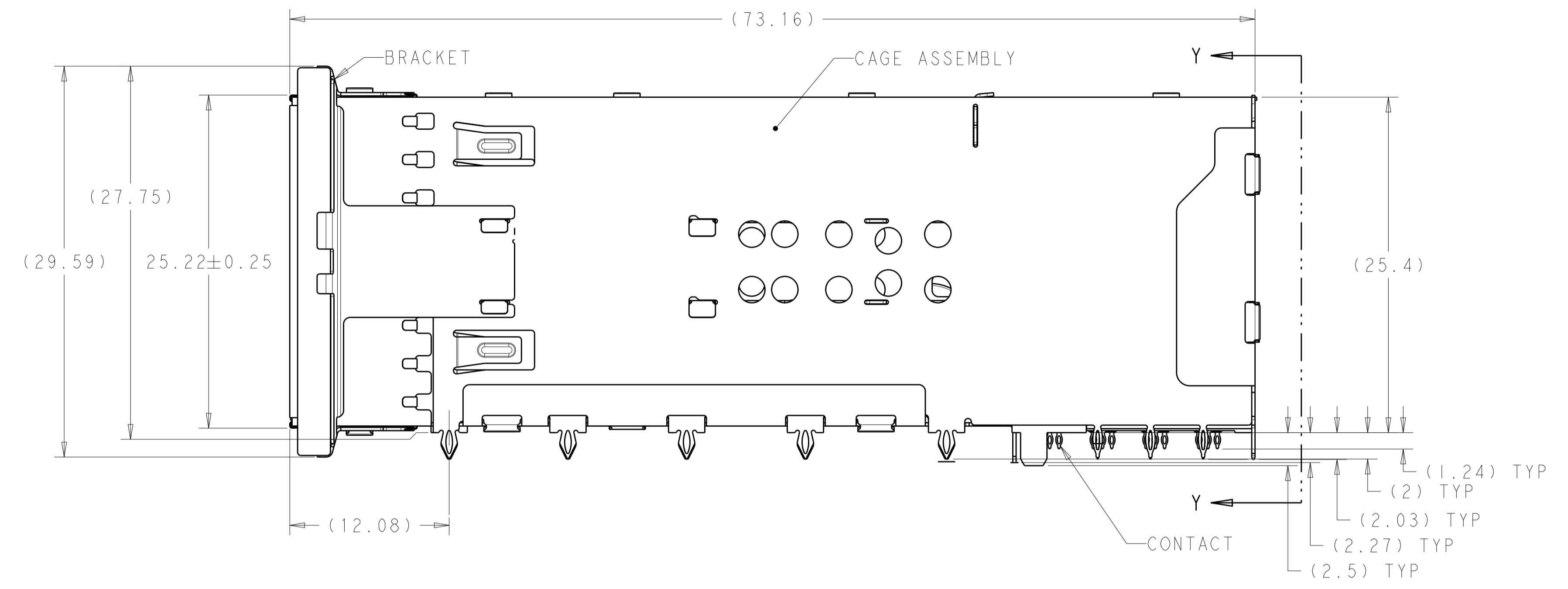
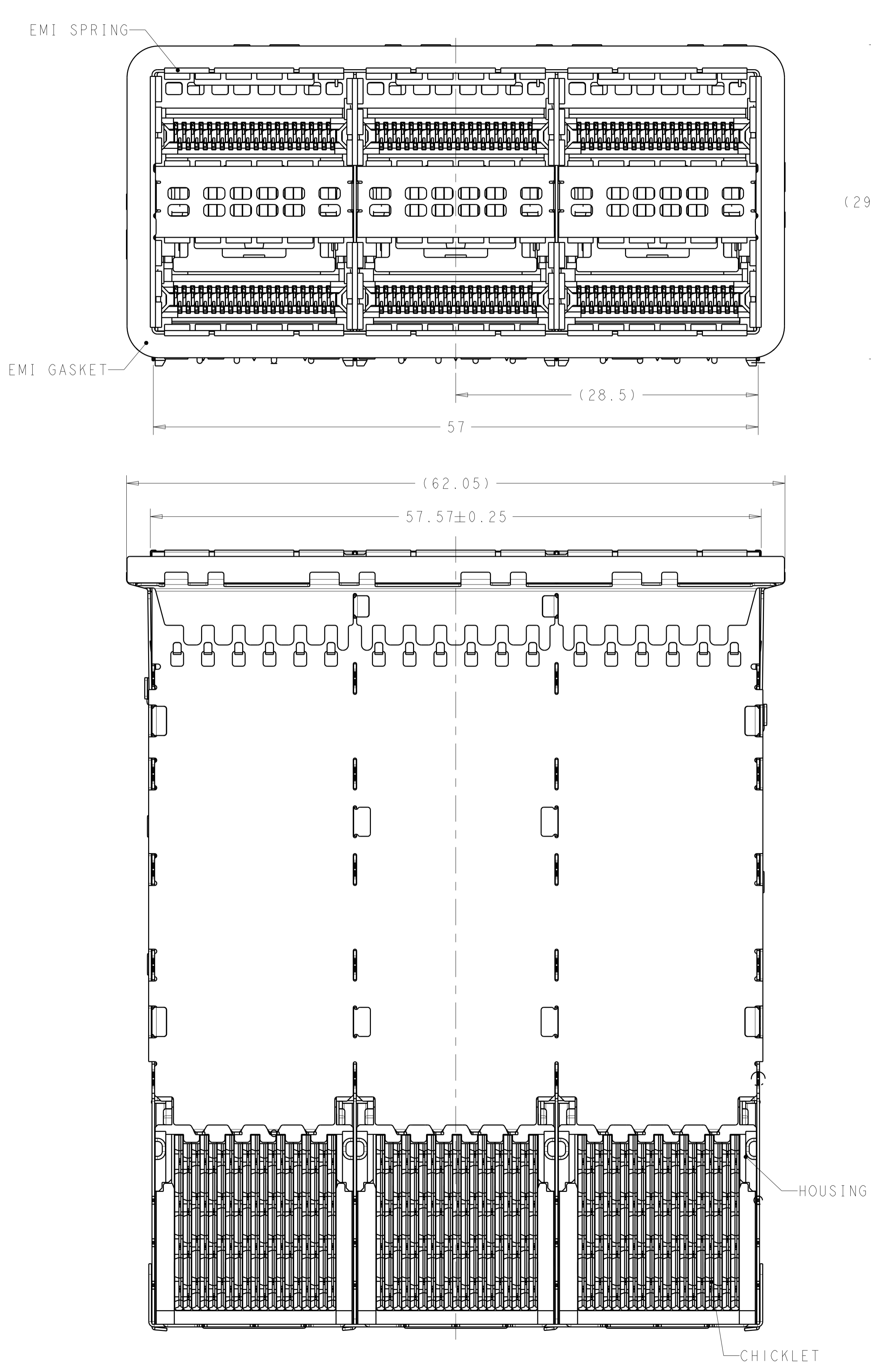


LOC	DIST	REVISIONS					
		P	LTN	DESCRIPTION	DATE	DWN	APVD
GP	00	A		RELEASED FOR PRODUCTION	01MAR2016	TX	SH



- MATERIALS:  
 CAGE ASSEMBLY- NICKEL SILVER ALLOY PER ASTM B 122.  
 BRACKET- NICKEL SILVER ALLOY PER ASTM B 122.  
 EMI SPRING- COPPER ALLOY, NICKEL PLATED.  
 EMI GASKET- PLATED FILLED SILICONE.  
 HOUSING- POLYESTER LCP WITH 94 V-0.  
 CHICKLET- POLYESTER LCP WITH 94 V-0.  
 CONTACT- COPPER ALLOY.  
 LIGHTPIPE- POLYCARBONATE WITH 94 V-0.
- CONTACT FINISH: 0.76µm GOLD ON MATING END, 1.25µm TIN ON SOLDER TAIL, ALL OVER 1.27µm NICKEL.
- DATUM AND BASIC DIMENSION ESTABLISHED BY CUSTOMER.
- MINIMUM PCB THICKNESS OF 1.57.
- THE ENTIRE AREA OF THE CONNECTOR FOOTPRINT, INDICATED BY THE DASHED LINE, TO BE CONSIDERED THE KEEPOUT AREA FOR COMPONENTS.
- CROSS-HATCHED AREAS REPRESENT ZONES ON THE PCB THAT COME IN CONTACT WITH OR BE IN CLOSE PROXIMITY TO THE PLASTIC HOUSING OR THE CONNECTOR CAGE. INDICATED AREAS TO BE CONSIDERED TRACE FREE.
- PART NUMBER AND DATE CODE MARKED IN APPROXIMATE AREA SHOWN.
- HATCHED AREA IS PLACEMENT ZONE FOR LED. LED SHOULD BE CENTERED WITHIN ZONE. RECOMMEND 0805 PACKAGE.
- CONTACT FINISH: 0.08µm MINIMUM GOLD OVER 0.68µm PALLADIUM-NICKEL ON MATING END, 1.25µm TIN ON SOLDER TAIL, ALL OVER 1.27µm NICKEL.

CONTACT FINISH	DESCRIPTION	PART NUMBER
9	LEFT INDICATOR DOWN	2214565-6
9	LEFT INDICATOR UP	2214565-5
9	NO LIGHTPIPE	2214565-4
2	LEFT INDICATOR DOWN	2214565-3
2	LEFT INDICATOR UP	2214565-2
2	NO LIGHTPIPE	2214565-1

THIS DRAWING IS A CONTROLLED DOCUMENT. DIMENSIONING AND TOLERANCING PER ASME Y14.5M-2009.

DIMENSIONS: mm

TOLERANCES UNLESS OTHERWISE SPECIFIED:

0 PLC	±
1 PLC	±0.25
2 PLC	±0.15
3 PLC	±
4 PLC	±
ANGLES	±
FINISH	±

MATERIAL: SEE NOTE 1

FINISH: SEE NOTE 2

CUSTOMER DRAWING

DWN: M. SHIRK 27FEB2012

CHK: D. SZCZESNY 27FEB2012

APVD: -

PRODUCT SPEC: 108-60102

APPLICATION SPEC: 114-60015

WEIGHT: -

SCALE: 4:1

SHEET 1 OF 4

REV A

TE Connectivity

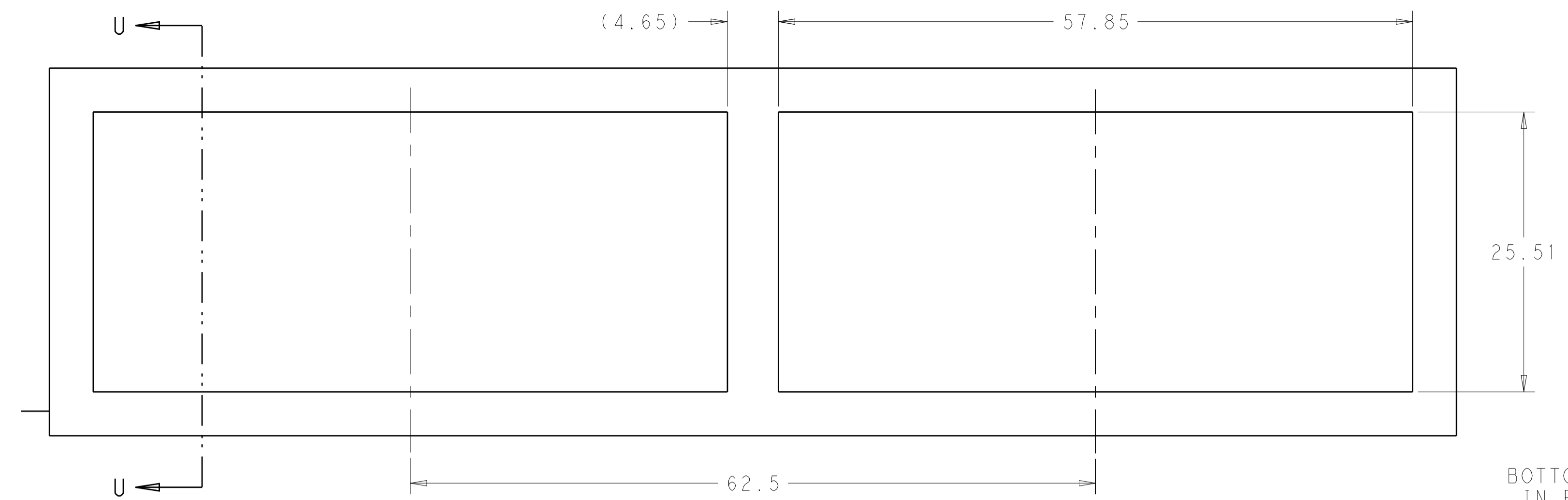
CAGE AND CONNECTOR ASSEMBLY, WITH EMI GASKET, 2X3, ZQSFP+ STACKED

SIZE: 100779

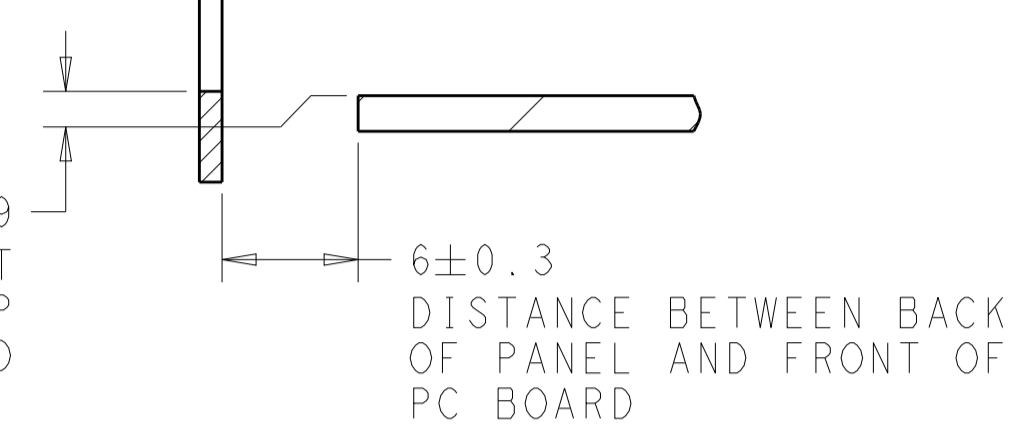
NAME: CAGE CODE DRAWING NO: 2214565

RESTRICTED TO: -

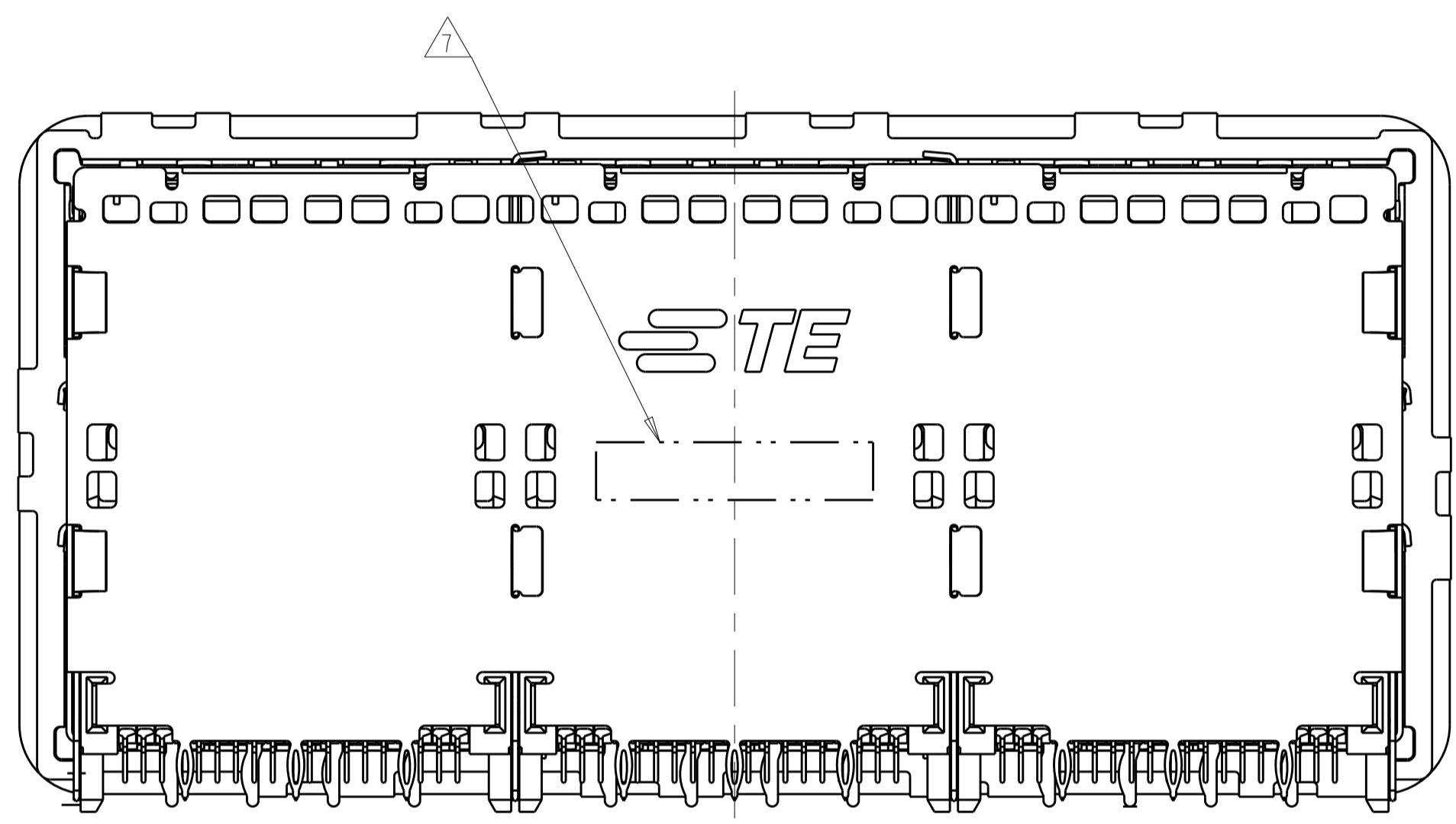
LOC		DIST		REVISIONS			
P	LTN	DESCRIPTION	DATE	DMN	APVD		
-	-	SEE SHEET 1	-	-	-		



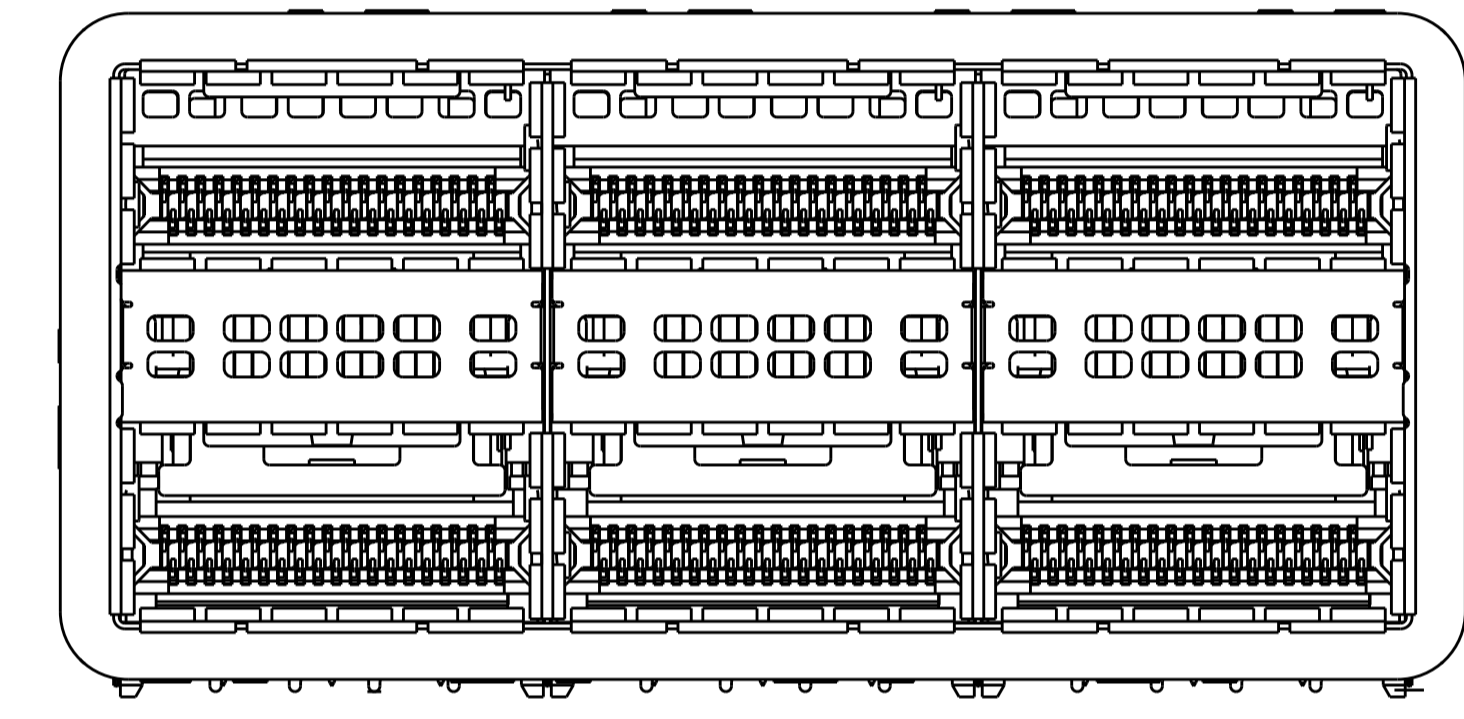
RECOMMENDED PANEL CUTOUT AND PC BOARD, PANEL POSITION  
 SCALE 3:1



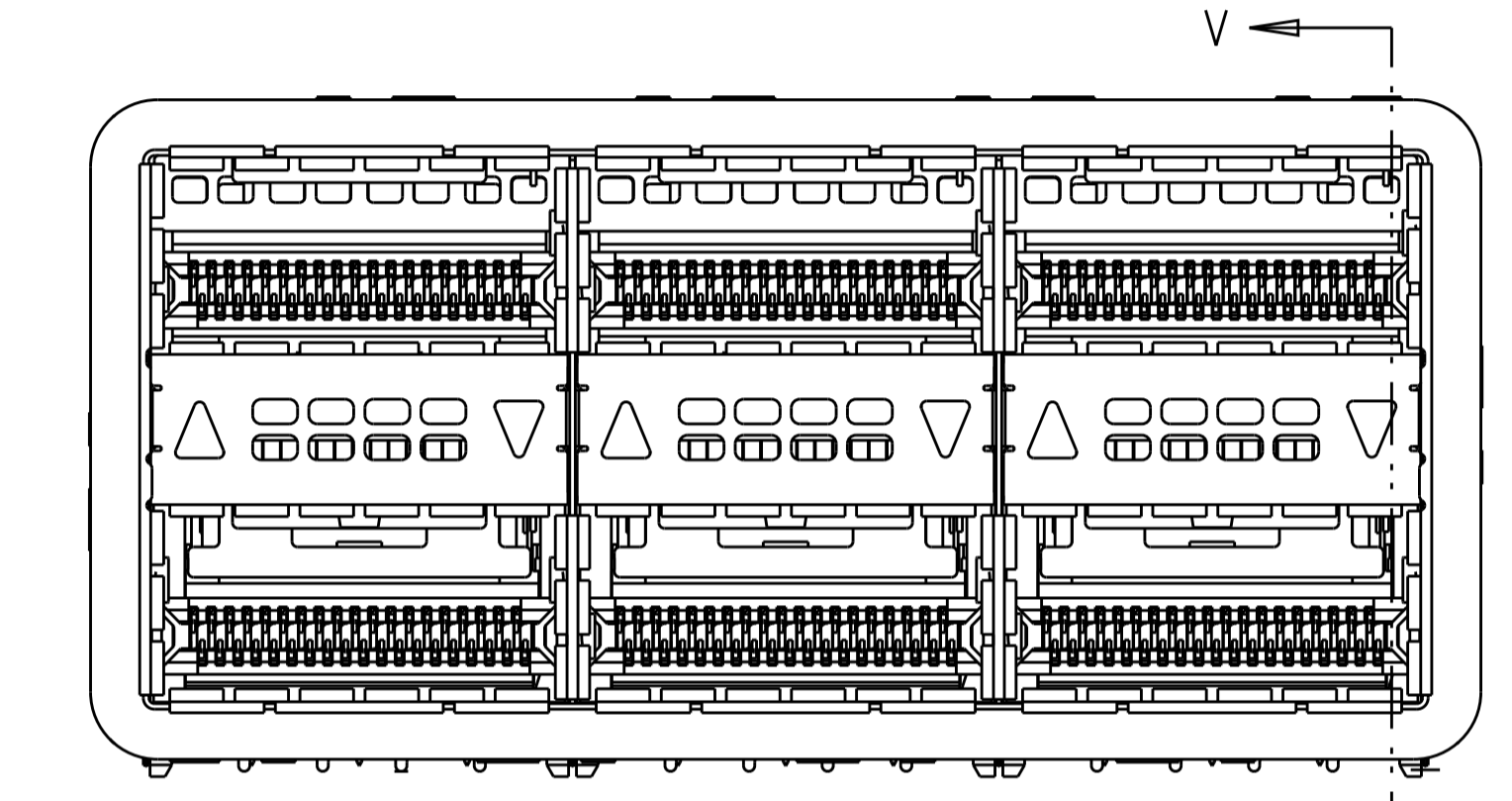
SECTION U-U



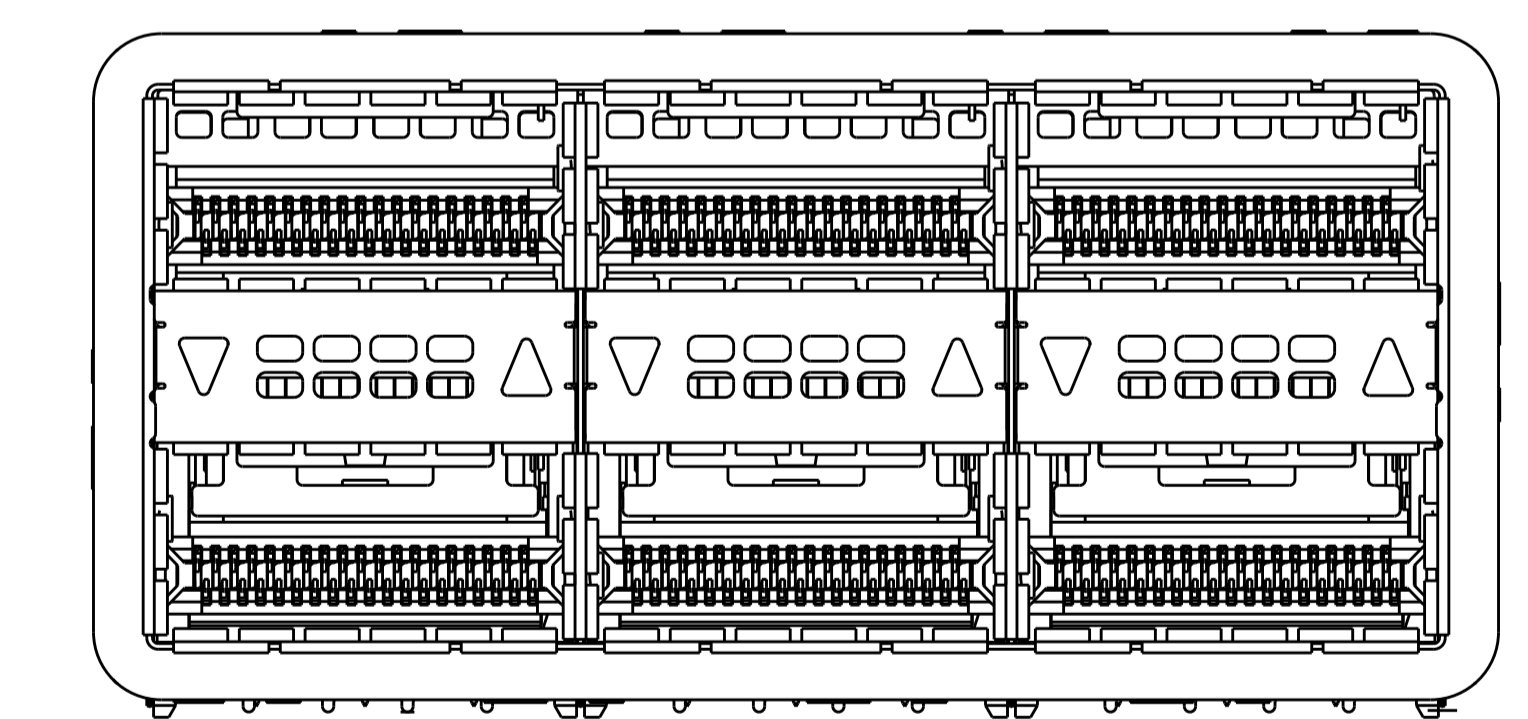
VIEW Y-Y



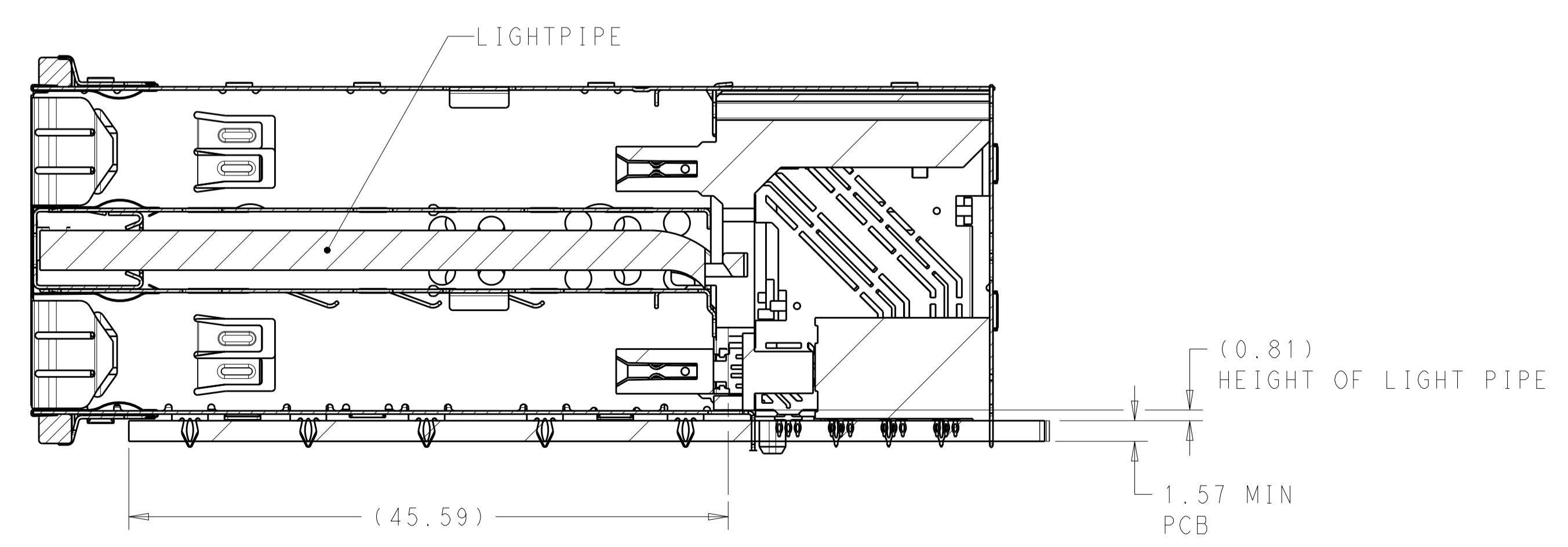
2214565-1 / 2214565-4  
 NO LIGHTPIPE IN ASSEMBLY  
 SCALE 3:1



2214565-2 / 2214565-5  
 LEFT LIGHTPIPE INDICATOR POINTING TO UPPER PORT  
 SCALE 3:1



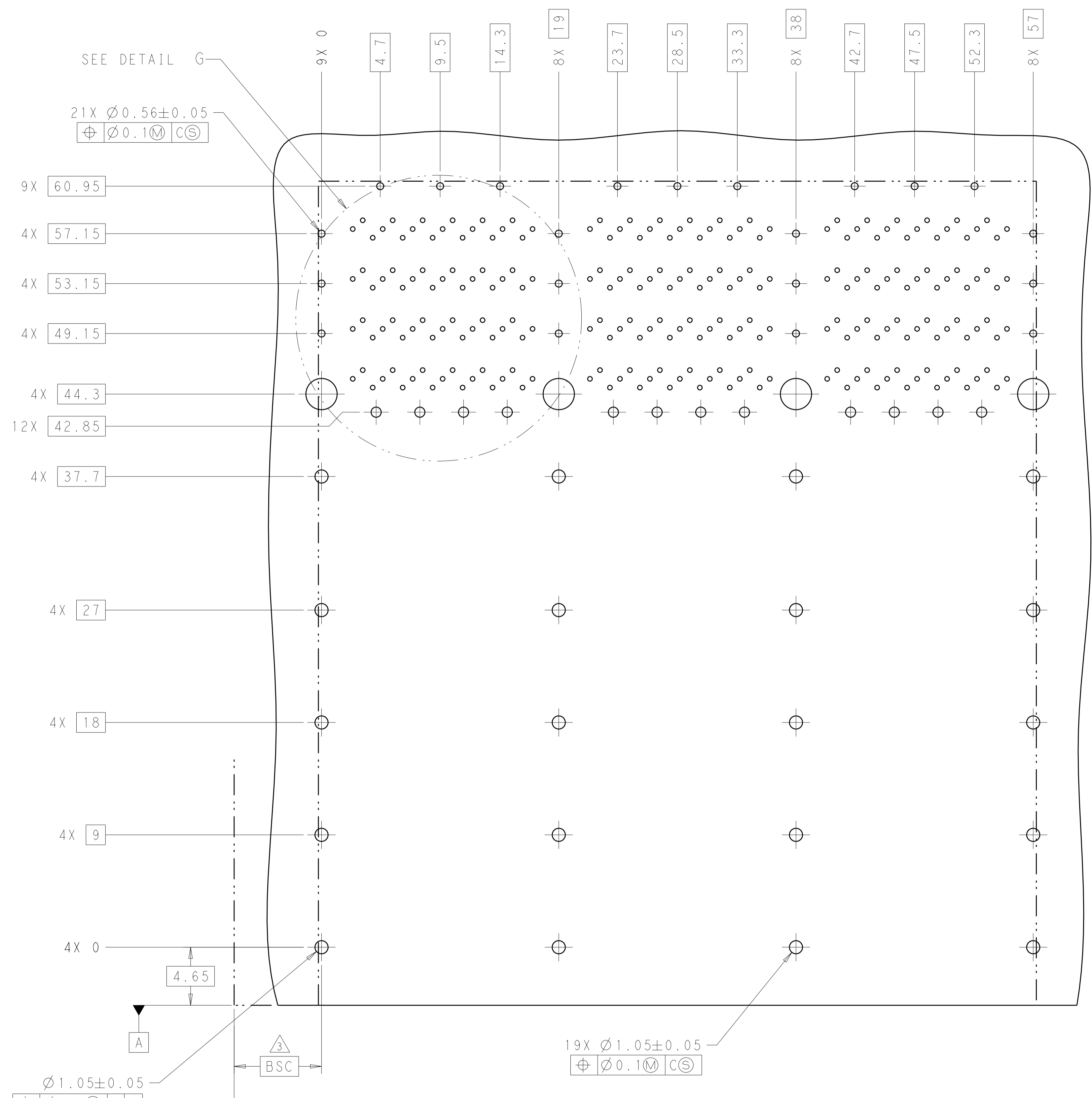
2214565-3 / 2214565-6  
 LEFT LIGHTPIPE INDICATOR POINTING TO LOWER PORT  
 SCALE 3:1



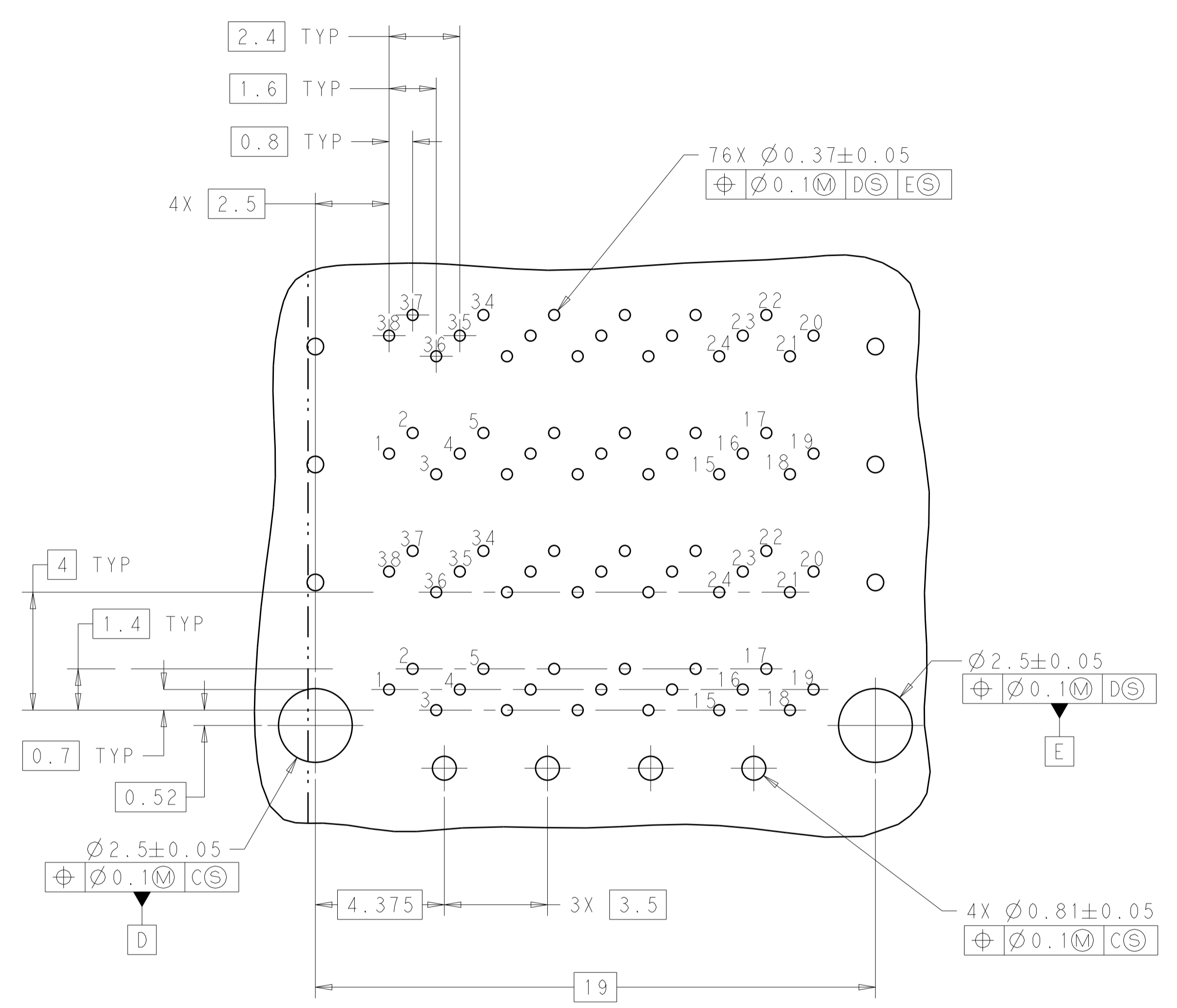
SECTION V-V  
 SCALE 3:1

THIS DRAWING IS A CONTROLLED DOCUMENT. DIMENSIONING AND TOLERANCING PER: ASME Y14.5M-2009		DMN: M. SHIRK 27FEB2012 CHK: D. SZCZESNY 27FEB2012	TE Connectivity NAME: CAGE AND CONNECTOR ASSEMBLY, WITH EMI GASKET, 2X3, ZQSFP+ STACKED
DIMENSIONS: mm	TOLERANCES UNLESS OTHERWISE SPECIFIED:	APVD: -	
0 PLC ± 1 PLC ±0.25 2 PLC ±0.15 3 PLC ± 4 PLC ± ANGLES ±	PRODUCT SPEC: 108-60102 APPLICATION SPEC: 114-60015	WEIGHT: - CUSTOMER DRAWING	SIZE: A1 CAGE CODE: 00779 DRAWING NO: C=2214565
MATERIAL: - FINISH: - SEE NOTE 1	SEE NOTE 2	SCALE: 4:1	RESTRICTED TO: - SHEET 2 OF 4 REV A

REVISONS		DATE	OWN	APVD
P. LTR	DESCRIPTION			
-	SEE SHEET 1	-	-	-



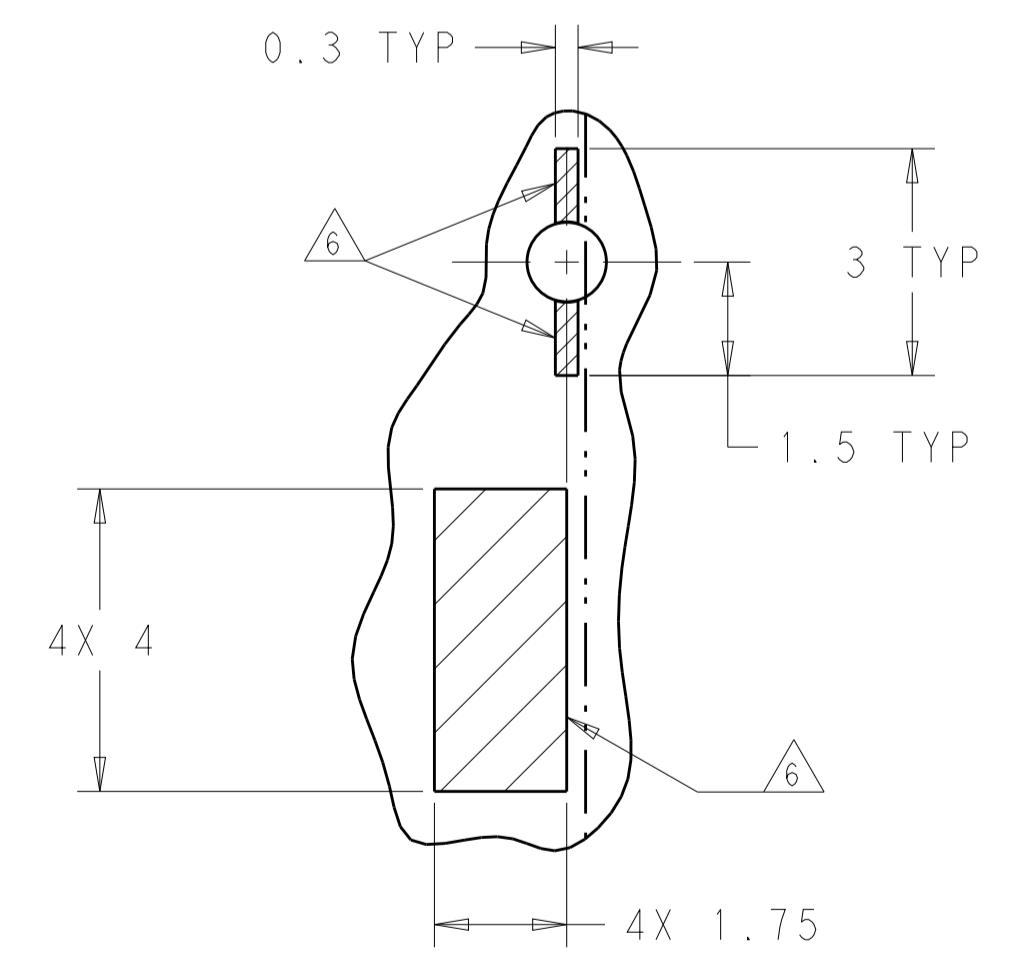
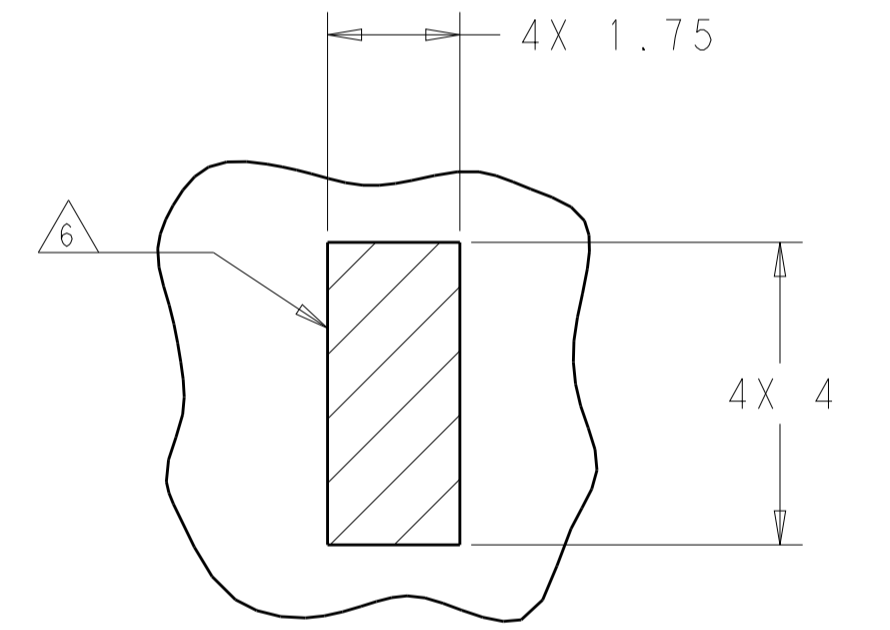
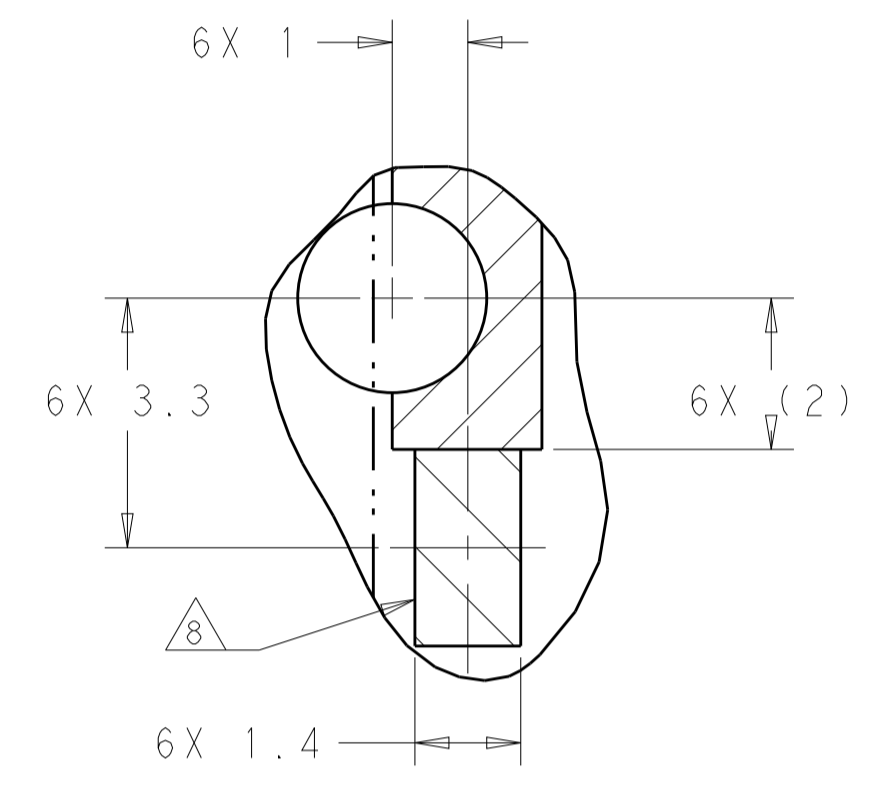
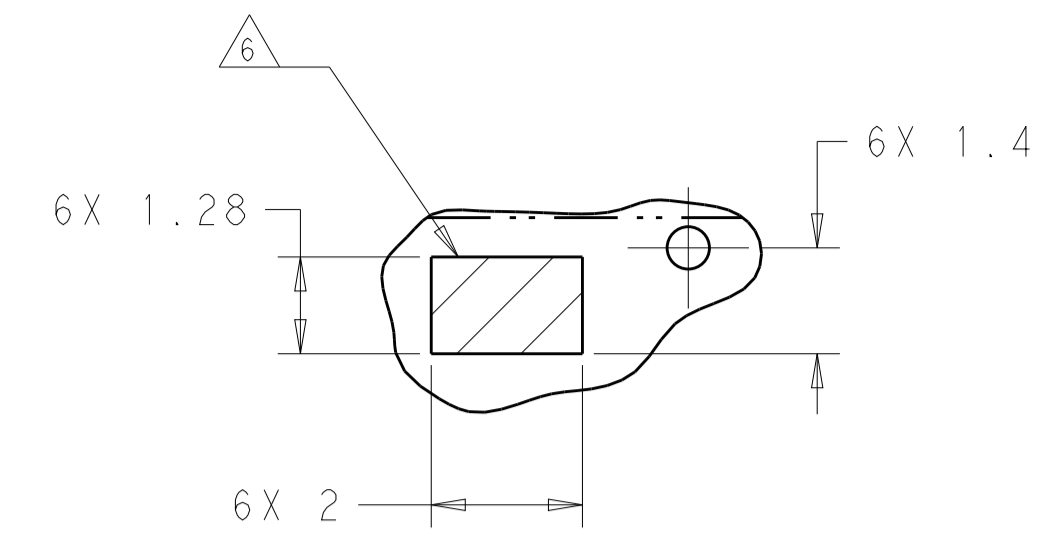
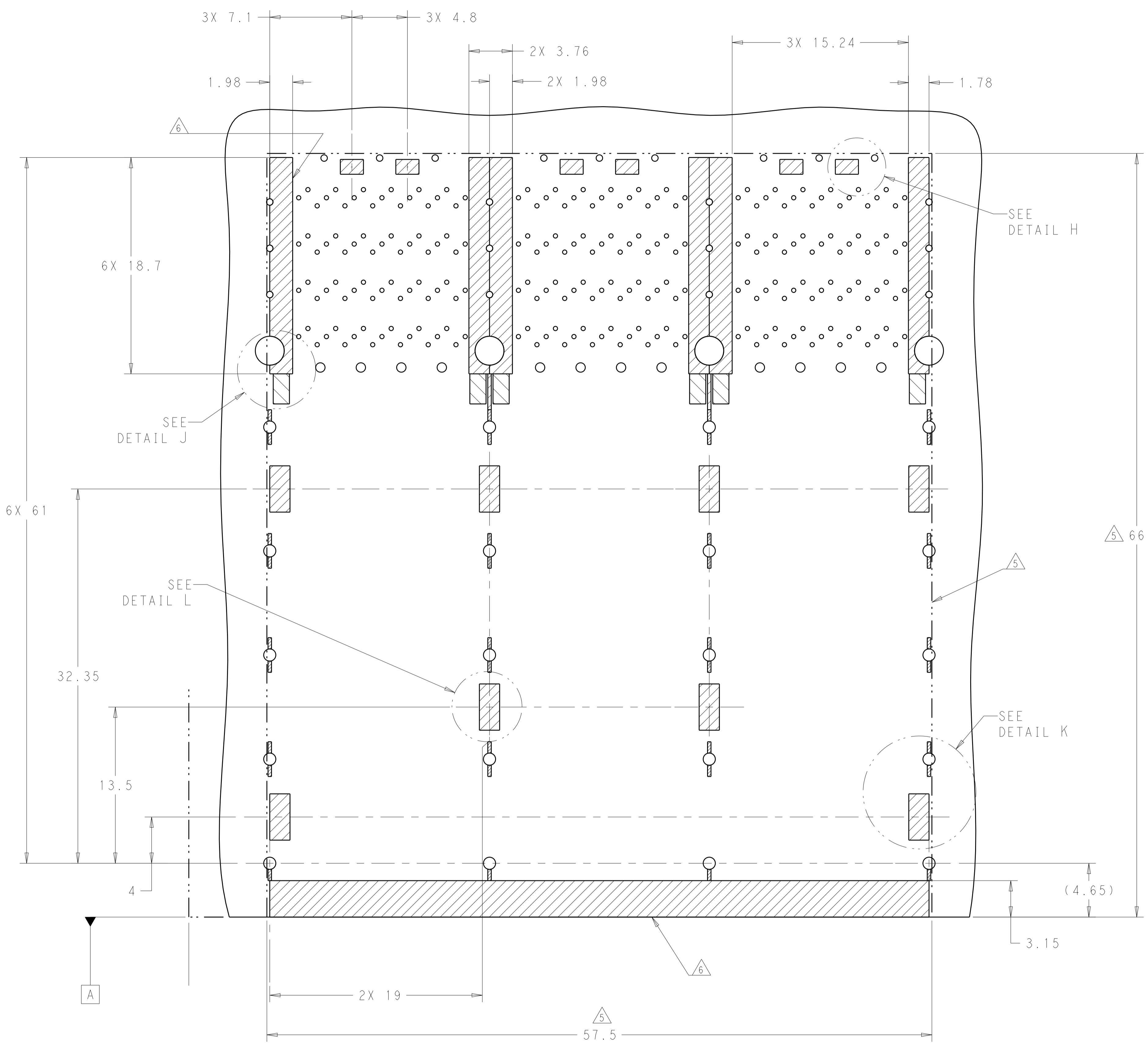
RECOMMENDED PC BOARD LAYOUT  
 COMPONENT SIDE OF BOARD  
 PCB TOLERANCE: ±0.05  
 SCALE 5:1



DETAIL G  
 3X INDIVIDUALLY  
 SCALE 8:1

THIS DRAWING IS A CONTROLLED DOCUMENT. DIMENSIONING AND TOLERANCING PER: ASME Y14.5M-2009		OWN: M. SHIRK 27FEB2012 CHK: D. SZCZESNY 27FEB2012	TE Connectivity NAME: CAGE AND CONNECTOR ASSEMBLY, WITH EMI GASKET, 2X3, ZQSFP+ STACKED PRODUCT SPEC: 108-60102 APPLICATION SPEC: 114-60015 SIZE: A100779 CAGE CODE: C=2214565 RESTRICTED TO: -	
DIMENSIONS: mm	TOLERANCES UNLESS OTHERWISE SPECIFIED:	APVD: -		
0 PLC ±	1 PLC ±0.25	PRODUCT SPEC: 108-60102	SCALE: 4:1	SHEET: 3 OF 4
2 PLC ±0.15	3 PLC ±	APPLICATION SPEC: 114-60015	REV: A	
4 PLC ±	ANGLES ±	WEIGHT: -		
MATERIAL: -	FINISH: -	CUSTOMER DRAWING		
SEE NOTE 1	SEE NOTE 2			

LOC		DIST		REVISIONS			
P.	LTN	DESCRIPTION	DATE	DWN	APVD		
-	-	SEE SHEET 1	-	-	-		



KEEPOUT AREAS  
 COMPONENT SIDE OF BOARD  
 SCALE 5:1

**THIS PRODUCT HAS NOT COMPLETED VALIDATION AND QUALIFICATION TESTING**

THIS DRAWING IS A CONTROLLED DOCUMENT. DIMENSIONING AND TOLERANCING PER ASME Y14.5M-2009.		DWN: M. SHIRK CHK: D. SZCZESNY	27FEB2012 27FEB2012	TE Connectivity NAME: CAGE AND CONNECTOR ASSEMBLY, WITH EMI GASKET, 2X3, ZQSP+ STACKED
DIMENSIONS: mm	TOLERANCES UNLESS OTHERWISE SPECIFIED:	APVD:	PRODUCT SPEC: 108-60102	
0 PLC ±0.25	1 PLC ±0.15		APPLICATION SPEC: 114-60015	RESTRICTED TO:
2 PLC ±	3 PLC ±		SIZE: 114-60015	SCALE: 4:1
4 PLC ±	ANGLES ±		WEIGHT:	SHEET 4 OF 4
MATERIAL: SEE NOTE 1	FINISH: SEE NOTE 2		CUSTOMER DRAWING	REV: A

单击下面可查看定价，库存，交付和生命周期等信息

[>>TE Connectivity\(泰科\)](#)