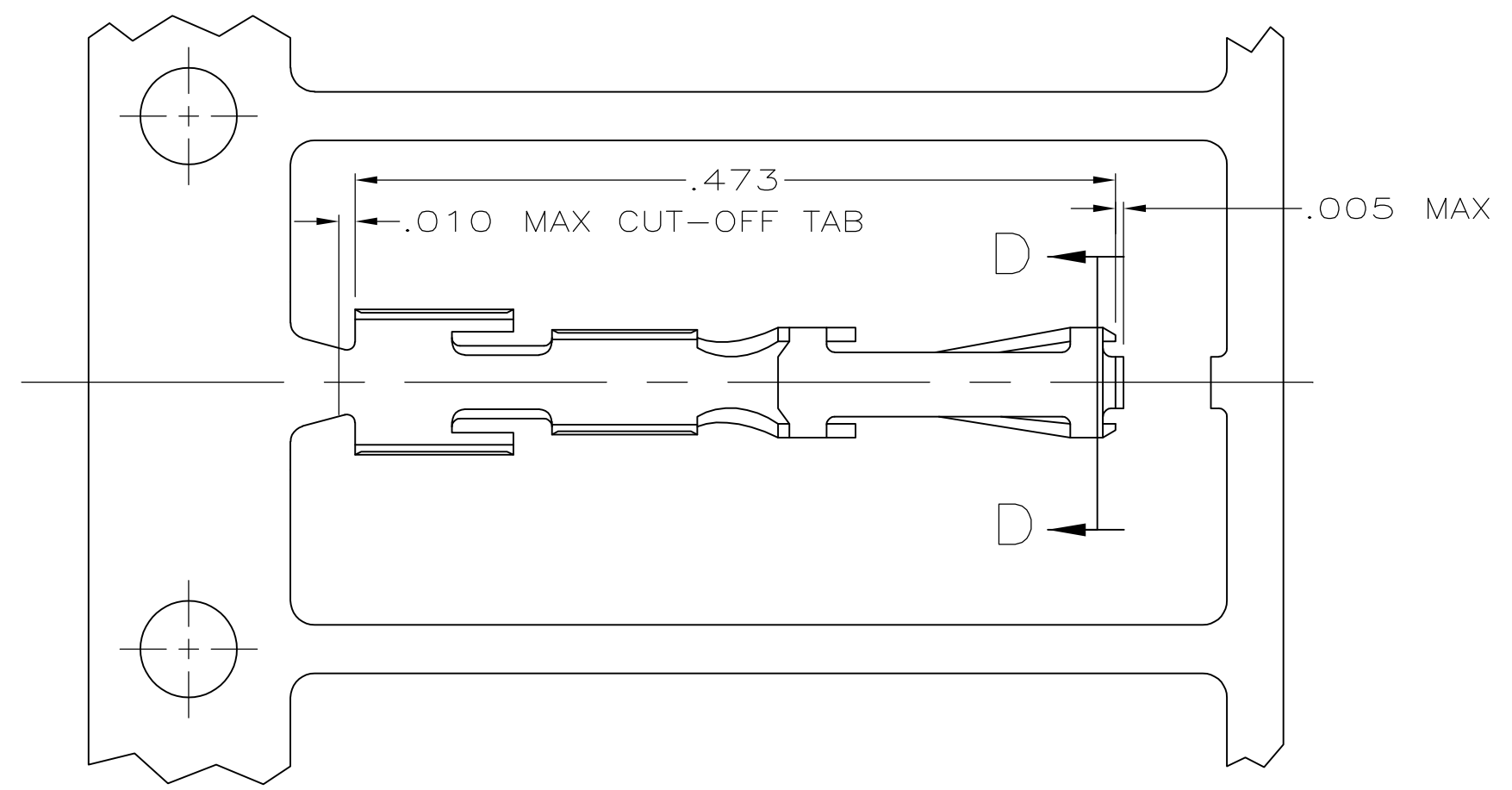
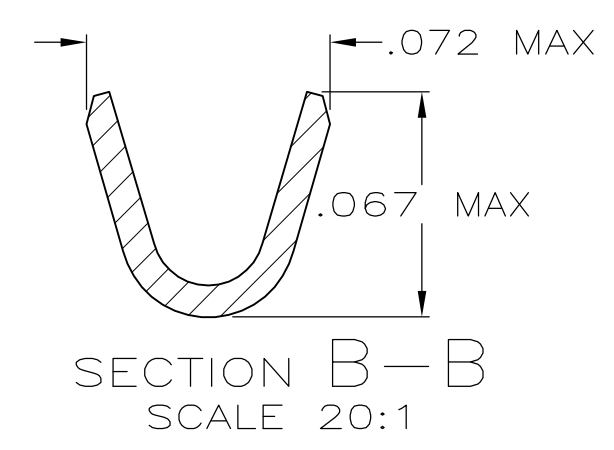
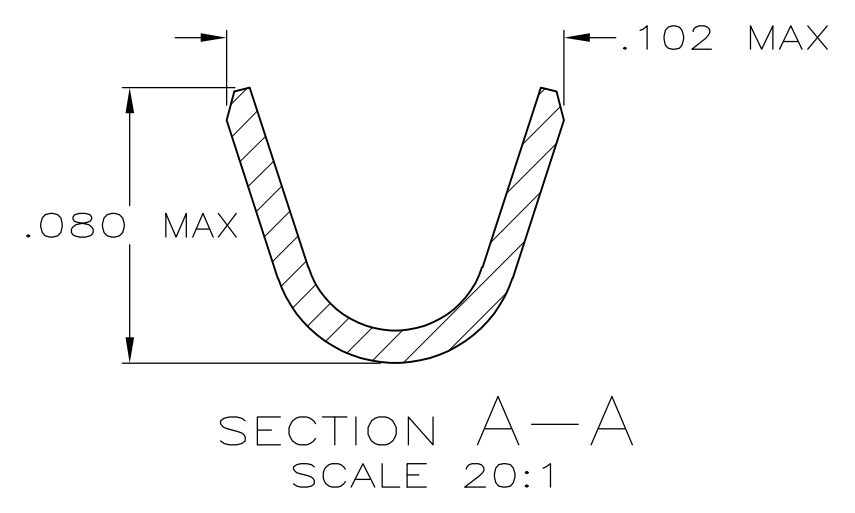
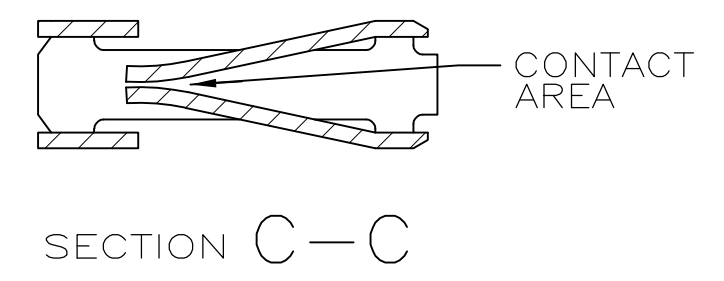
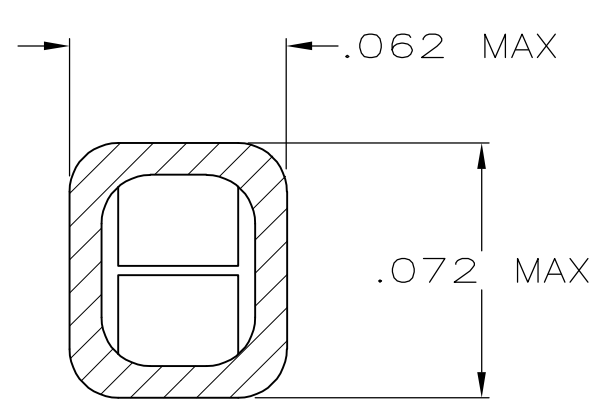
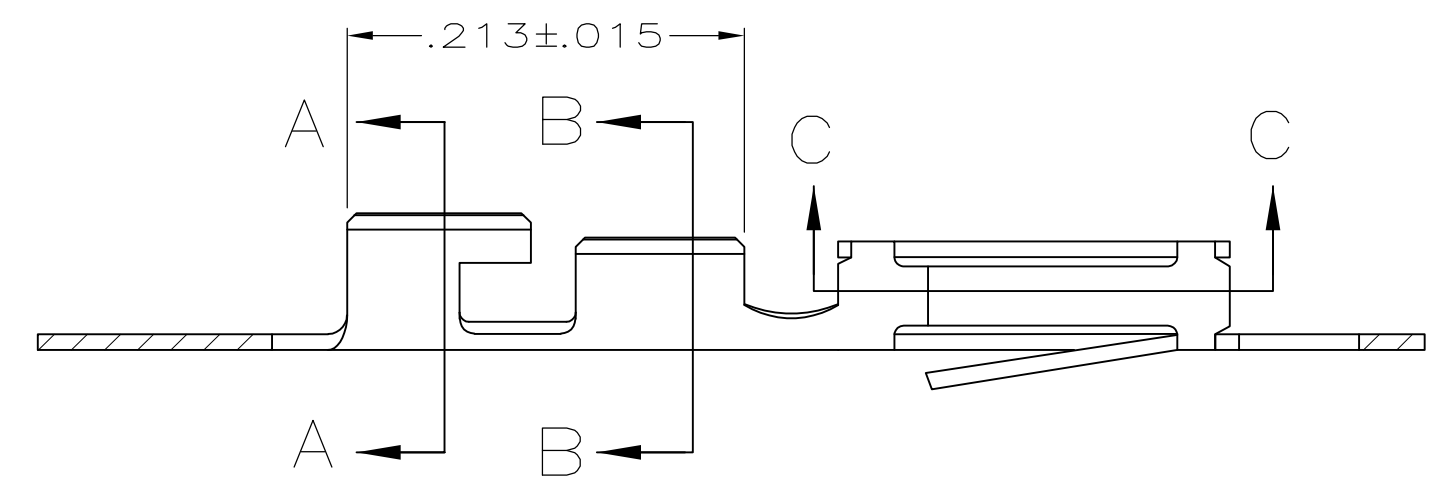


THIS DRAWING IS UNPUBLISHED. RELEASED FOR PUBLICATION  
 © COPYRIGHT BY TYCO ELECTRONICS CORPORATION. ALL INTERNATIONAL RIGHTS RESERVED.

LOC	DIST	REVISIONS			
P	LTR	DESCRIPTION	DATE	DWN	APVD
GP	00				
	L	REVISED PER ECO-09-001588	25JUN2009	CJV	CWR



- 1 FOR MINI APPLICATOR
- 2 FINISH: GOLD FLASH ALL OVER .000015 THK GOLD ON LOCALIZED CONTACT PLATING AREA OVER .000050 MIN THK NICKEL ON ENTIRE CONTACT, -OR- .000050 MIN THK NICKEL UNDERPLATE ON ENTIRE CONTACT, GOLD FLASH OVER PALLADIUM-NICKEL, .000015 MIN TOTAL THK ON LOCALIZED CONTACT PLATING AREA AND GOLD FLASH OVER REMAINDER OF CONTACT.
- 3. FOR 22-24 AWG WIRE WITH AN INS. RANGE OF .040-.056 DIA.



REMARKS	FINISH	86657-2	86655-2
		LOOSE PIECE PART NO.	PART NO.

THIS DRAWING IS A CONTROLLED DOCUMENT.		DWN B. MOYER 6-8-89	Tyco Electronics Corporation Harrisburg, PA 17105-3608	
DIMENSIONS: INCHES		CHK D.L. ROCKER 6-8-89	NAME CONTACT, RCPT., ROUND WIRE, .100 CENTERLINE, FFC	
TOLERANCES UNLESS OTHERWISE SPECIFIED:		APVD C.D. MILLER 6-14-89	PRODUCT SPEC 108-9024	
0 PLC ± -		APPLICATION SPEC 114-16003		
1 PLC ± -		SIZE A2 CAGE CODE 00779 C=86655		
2 PLC ± -		DRAWING NO		
3 PLC ± .005		RESTRICTED TO		
4 PLC ± -		SCALE 10:1 SHEET 1 of 1 REV L		
ANGLES ± -				
FINISH SEE TABLE		CUSTOMER DRAWING		
MATERIAL PHOS. BRONZE				

单击下面可查看定价，库存，交付和生命周期等信息

[>>TE Connectivity\(泰科\)](#)