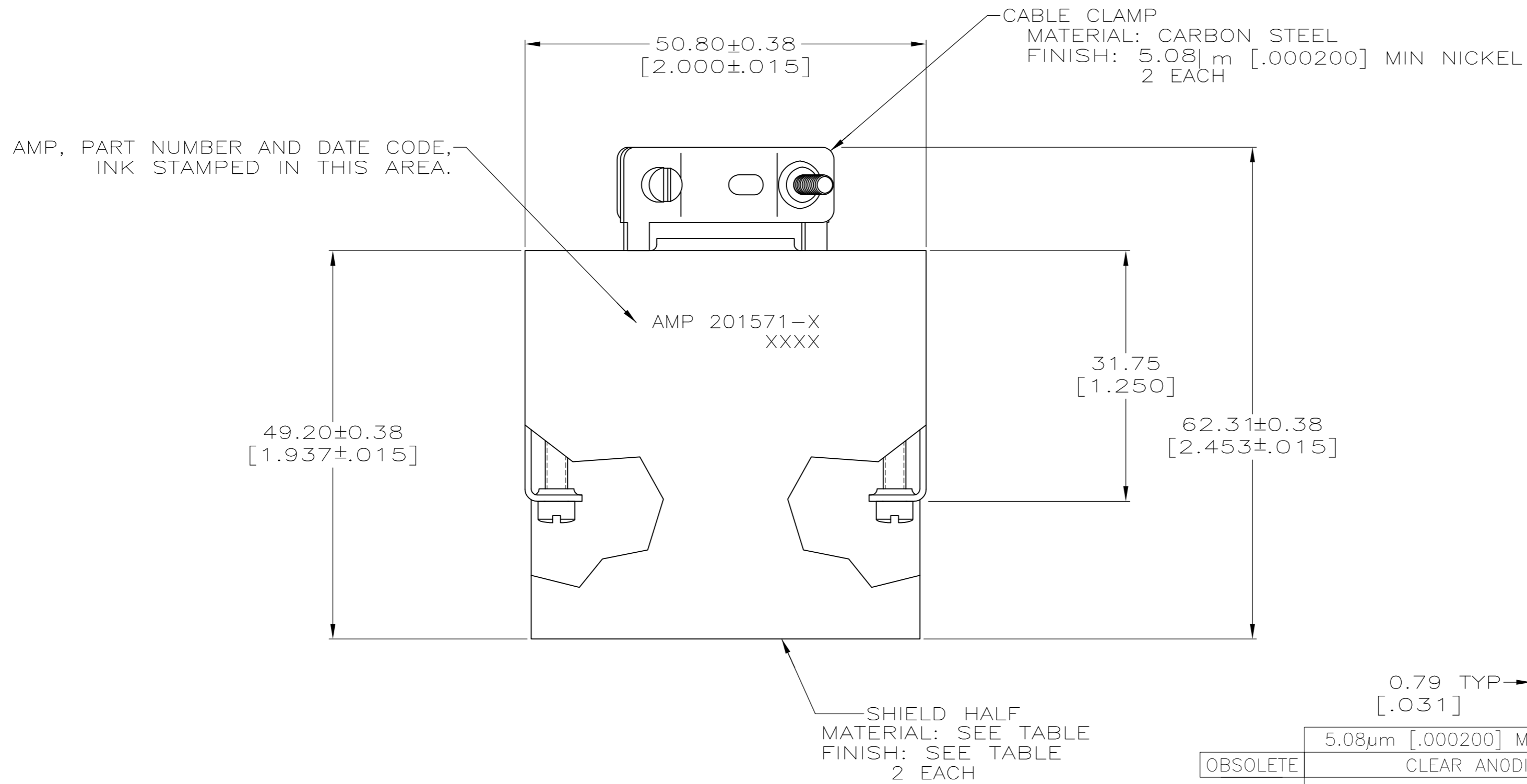
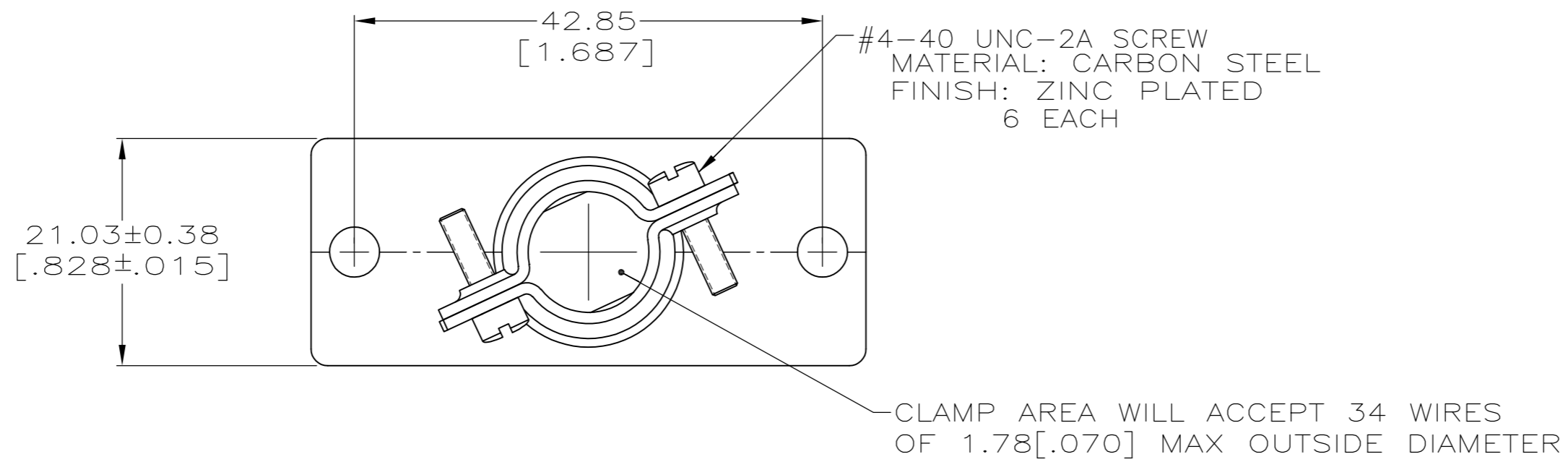


THIS DRAWING IS UNPUBLISHED. RELEASED FOR PUBLICATION
 © COPYRIGHT - By - ALL RIGHTS RESERVED.

LOC		DIST		REVISIONS			
P	LTR	DESCRIPTION		DATE	DWN	APVD	
BD	36	E1	REVISED PER ECO-13-008672		30AUG2013	KH	DR



FINISH	MATERIAL	PART NO
5.08μm [.000200] MIN NICKEL	CARBON STEEL	201571-2
CLEAR ANODIZED	ALUMINUM ALLOY	201571-1

SHIELD HALF

THIS DRAWING IS A CONTROLLED DOCUMENT.		DWN D.HARDY 10-21-94												
DIMENSIONS: mm [INCHES]		CHK R.STONE 10-27-94												
TOLERANCES UNLESS OTHERWISE SPECIFIED:		APVD T.COULSON 01-26-95												
<table border="1"> <tr><td>0 PLC</td><td>± -</td></tr> <tr><td>1 PLC</td><td>± -</td></tr> <tr><td>2 PLC</td><td>± 0.13 [.005]</td></tr> <tr><td>3 PLC</td><td>± -</td></tr> <tr><td>4 PLC</td><td>± -</td></tr> <tr><td>ANGLES</td><td>± -</td></tr> </table>		0 PLC			± -	1 PLC	± -	2 PLC	± 0.13 [.005]	3 PLC	± -	4 PLC	± -	ANGLES
0 PLC	± -													
1 PLC	± -													
2 PLC	± 0.13 [.005]													
3 PLC	± -													
4 PLC	± -													
ANGLES	± -													
MATERIAL SEE CALLOUTS		FINISH SEE CALLOUTS	SHIELD KIT, UNASSEMBLED, LONG, 34 POSITION, M SERIES											
CUSTOMER DRAWING		WEIGHT -	SIZE A2	RESTRICTED TO -										
		SCALE 2:1	CAGE CODE 00779	DRAWING NO C=201571										
		SHEET 1 of 1	REV E1											

单击下面可查看定价，库存，交付和生命周期等信息

[>>TE Connectivity\(泰科\)](#)