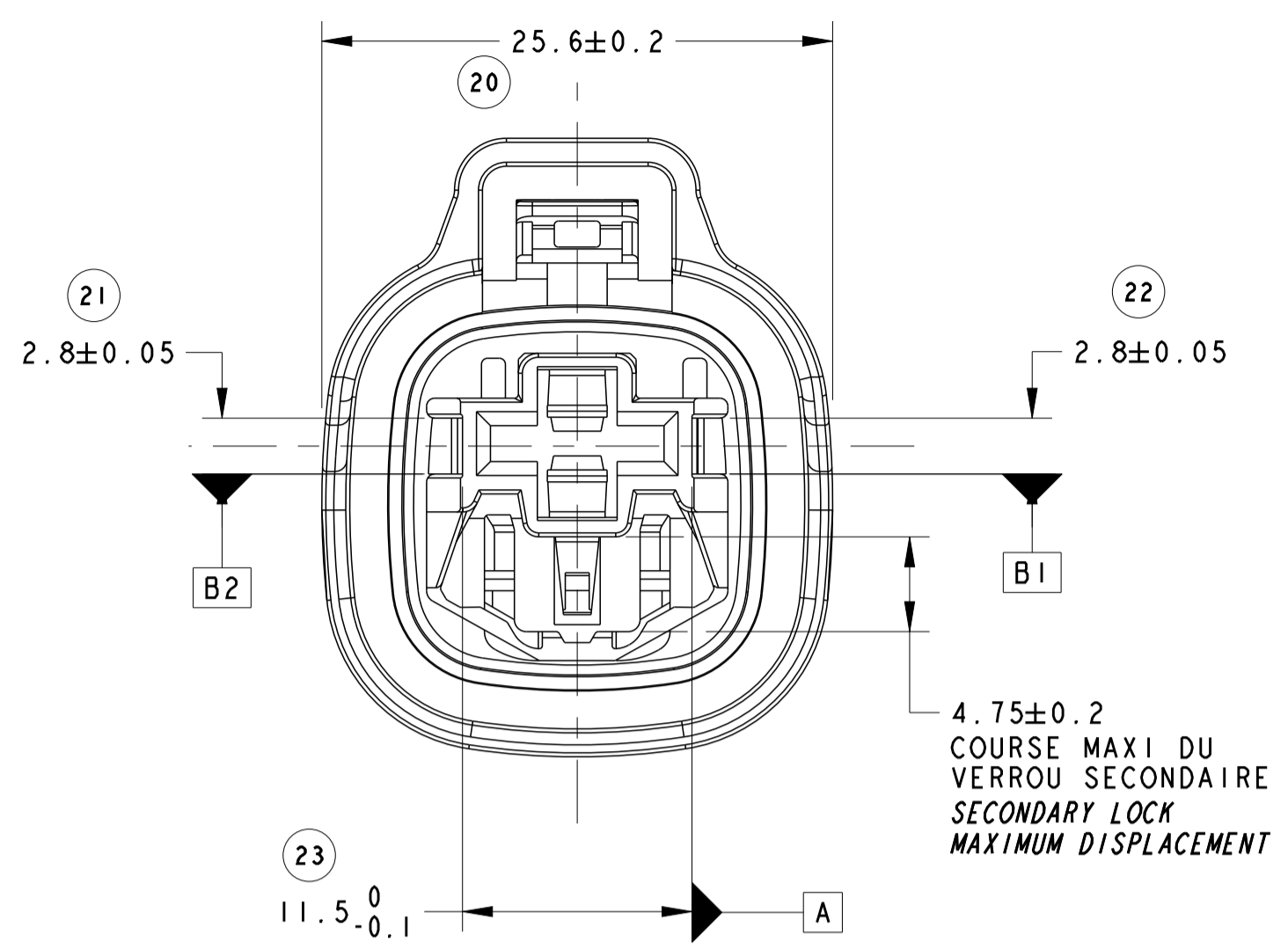
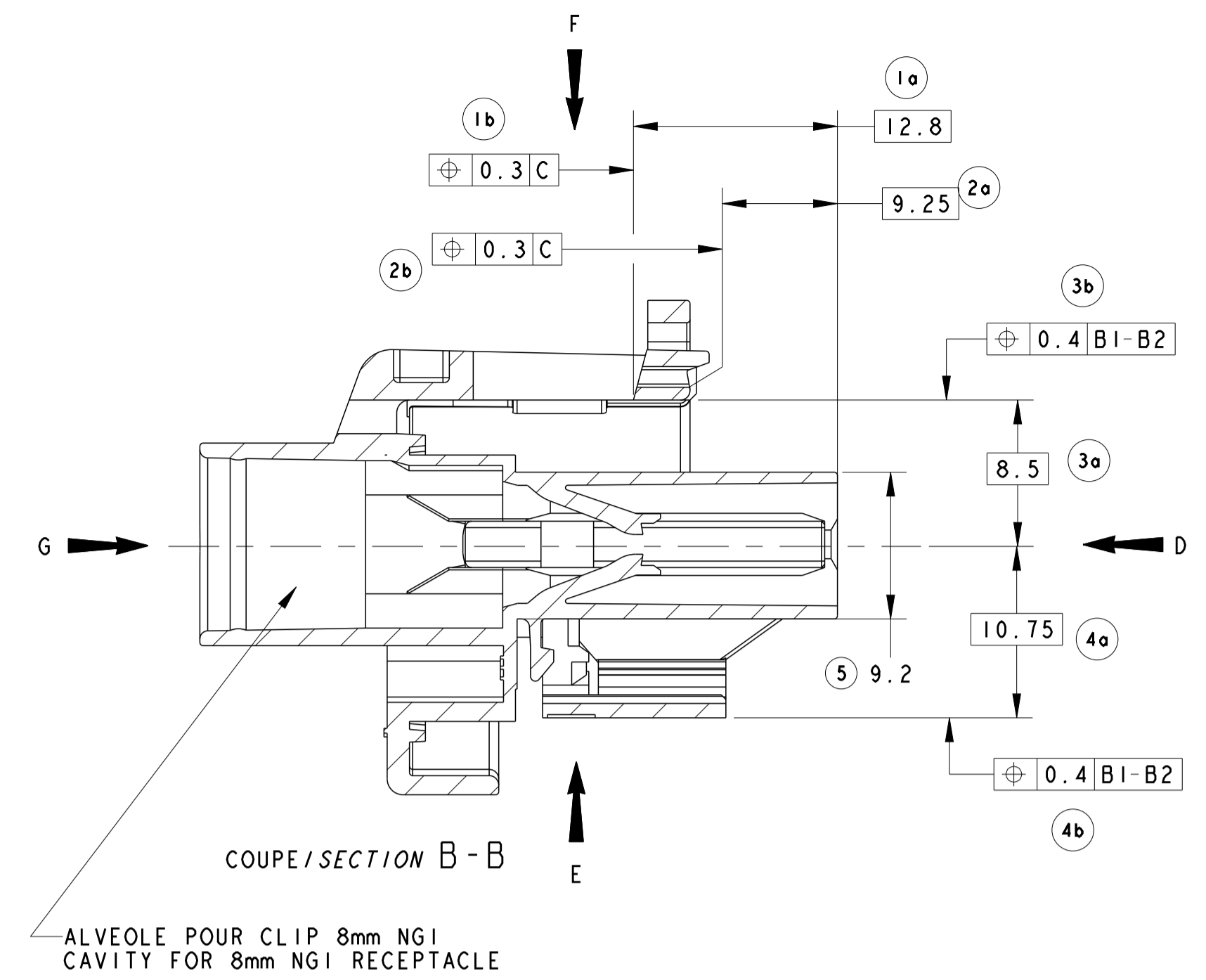


PORTE-CLIP EN POSITION DE LIVRAISON
RECEPTACLE HOUSING IN DELIVERING POSITION

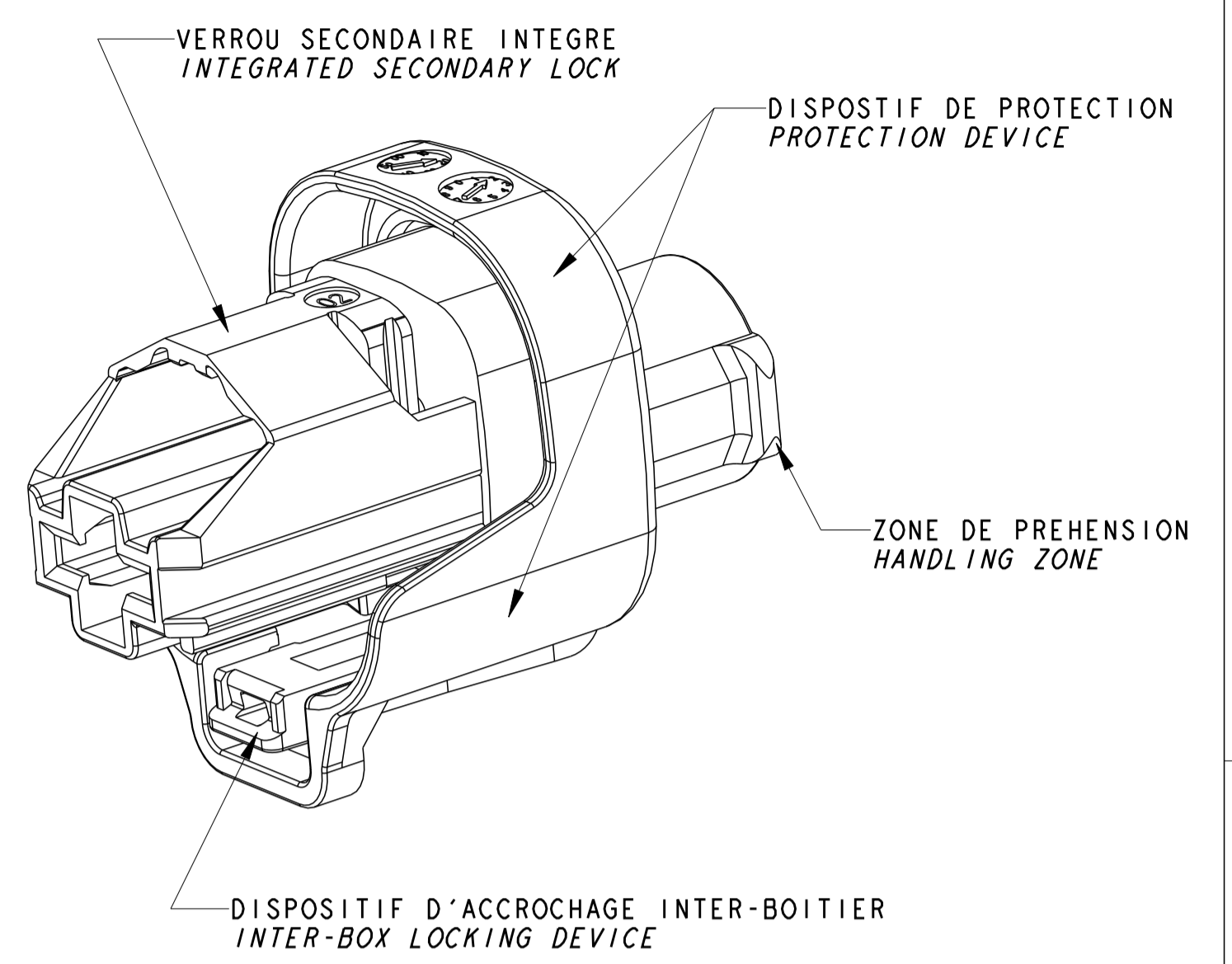
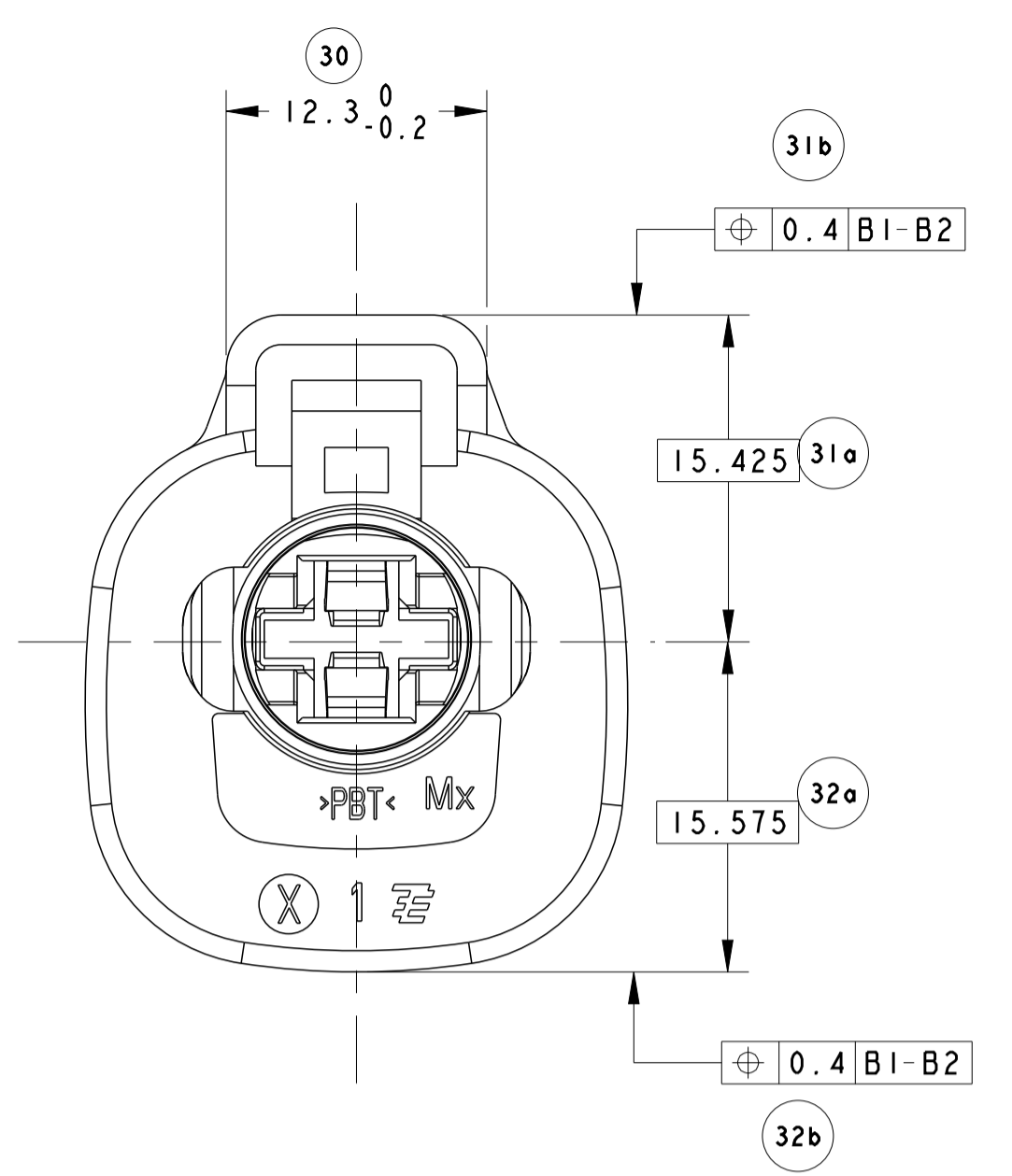


4.75±0.2
COURSE MAXI DU
VERROU SECONDAIRE
SECONDARY LOCK
MAXIMUM DISPLACEMENT



COUPE/SECTION B-B

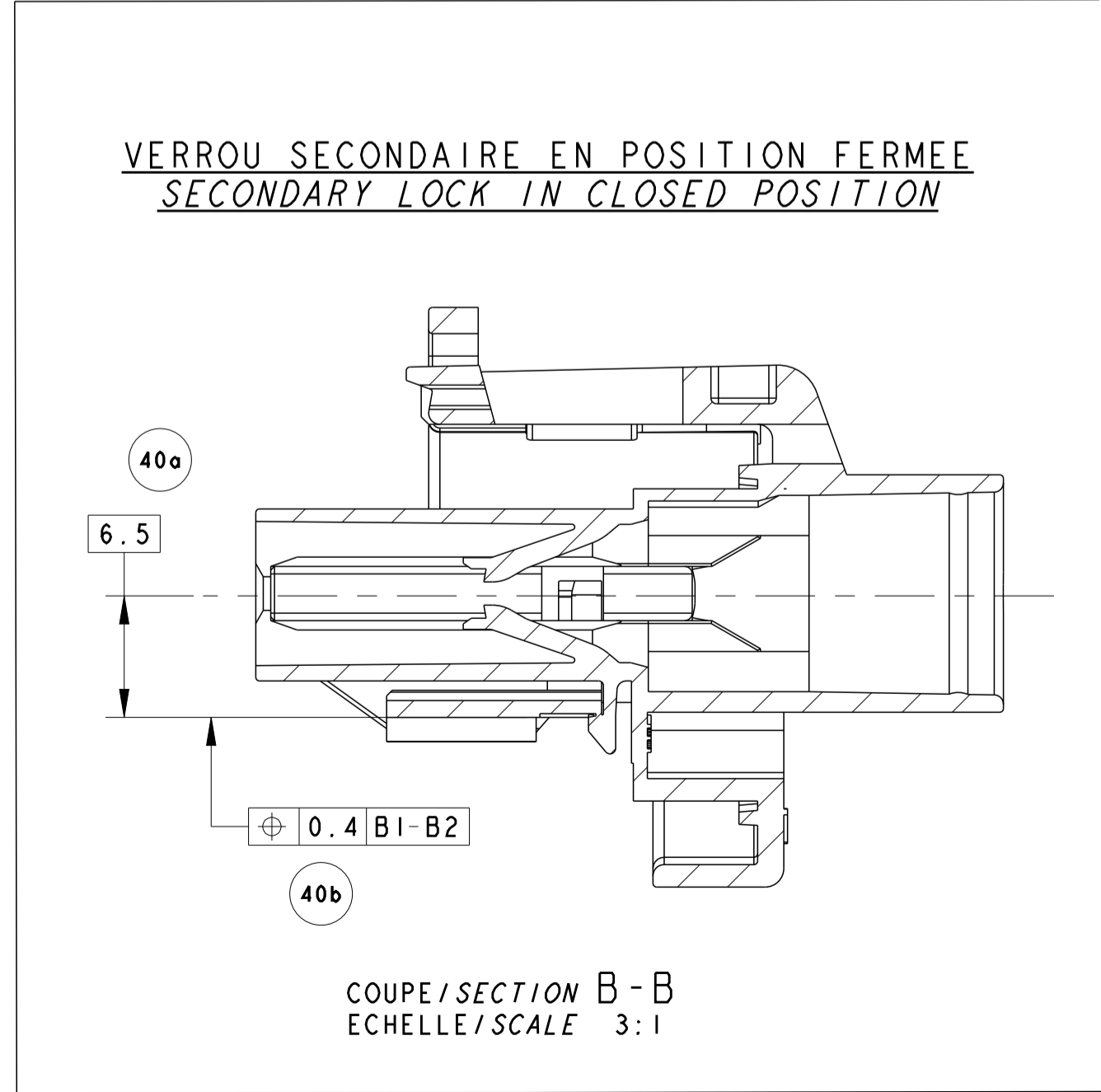
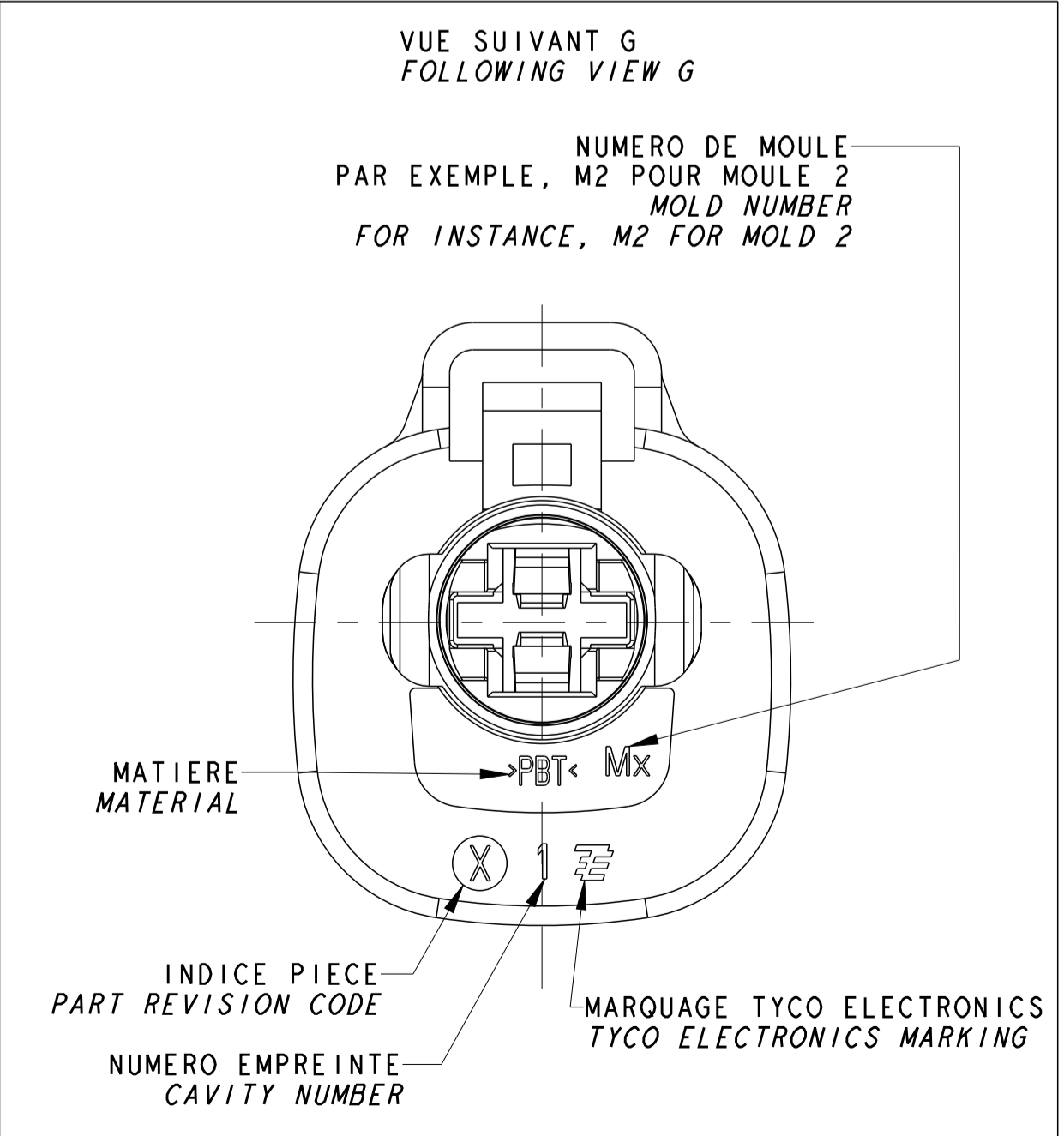
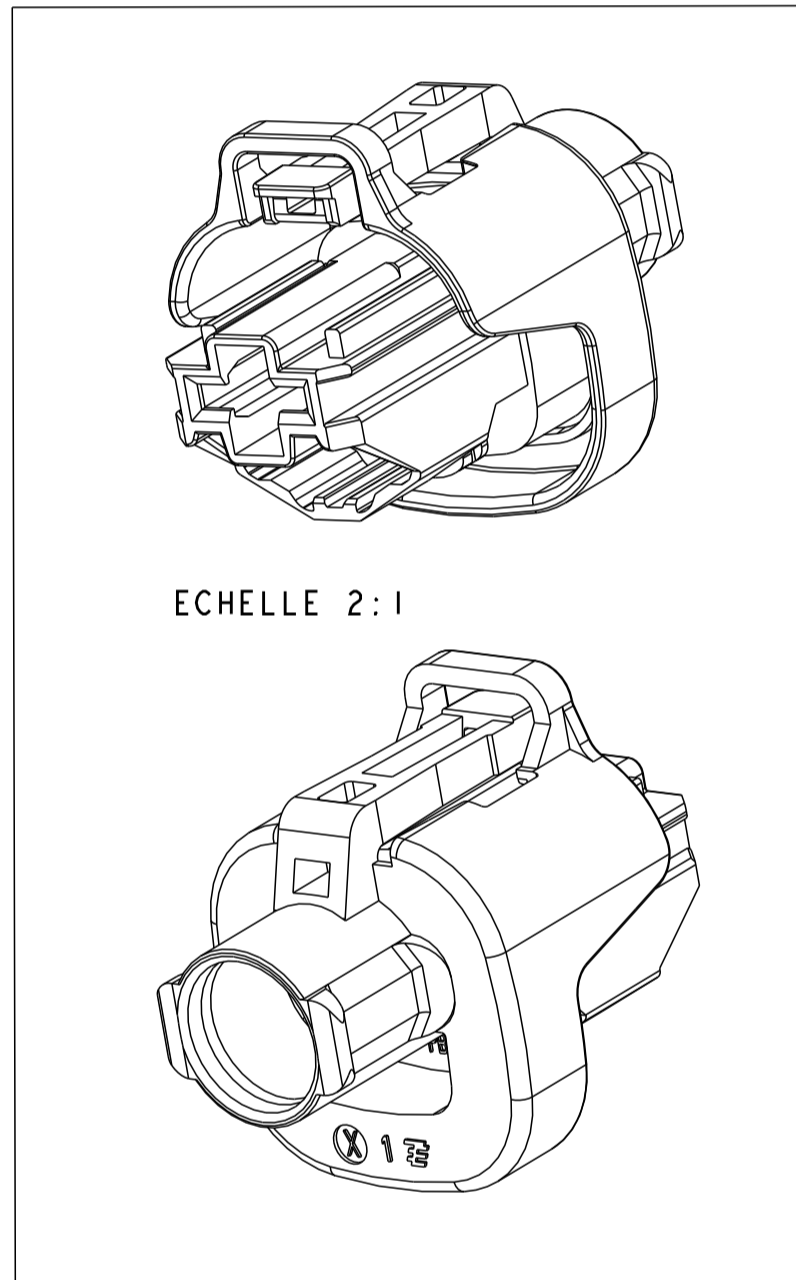
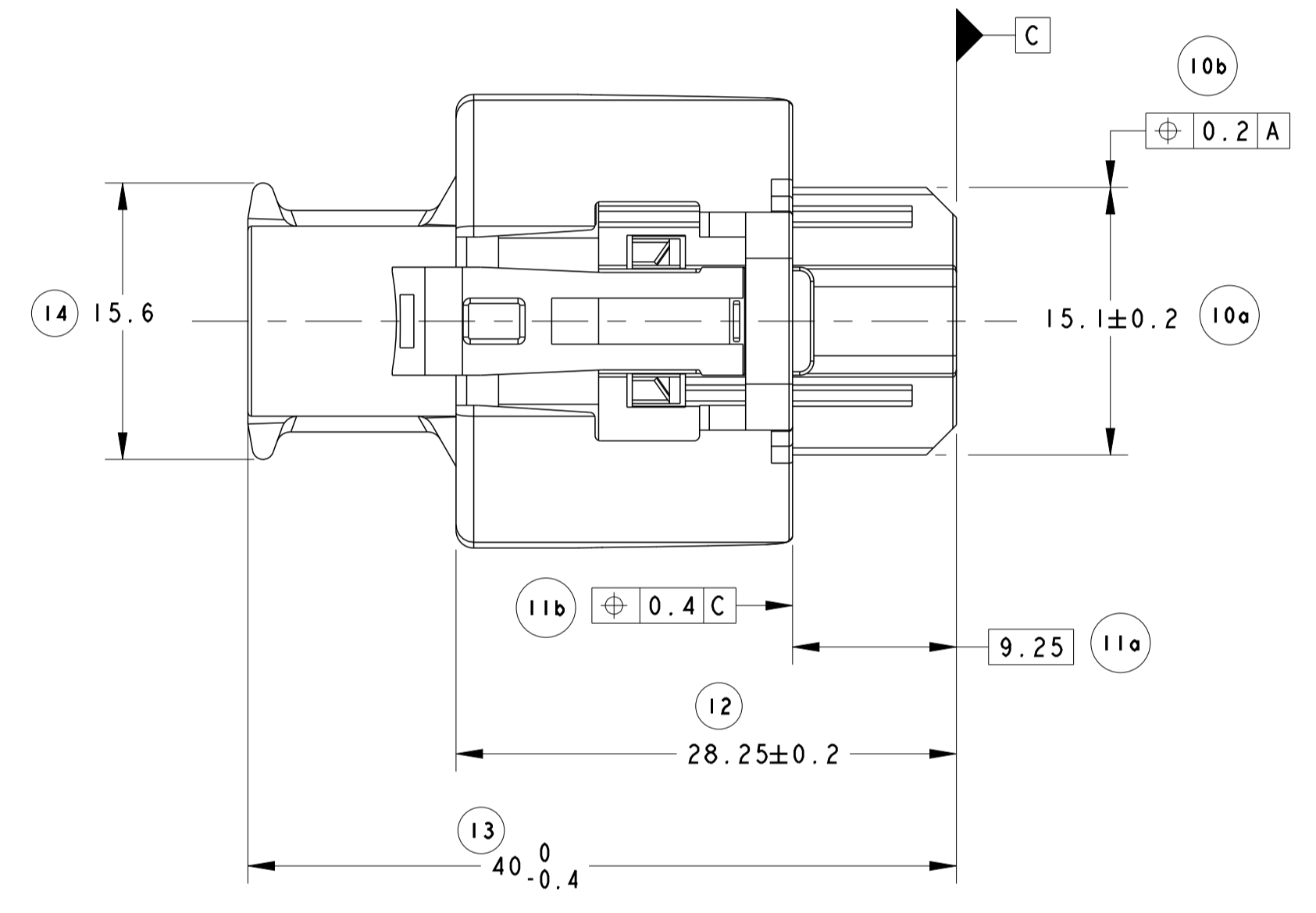
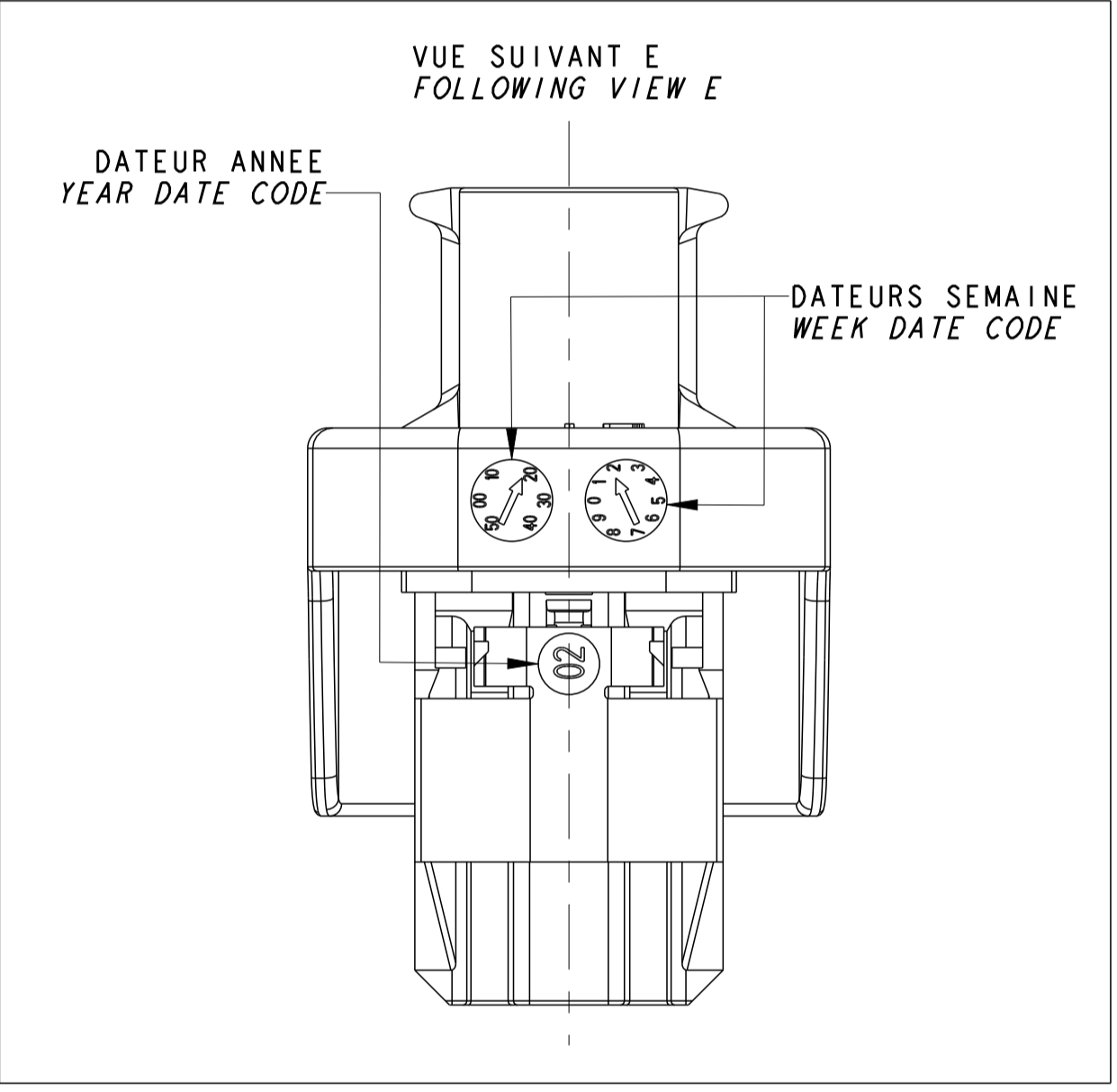
ALVEOLE POUR CLIP 8mm NGI
CAVITY FOR 8mm NGI RECEPTACLE



DOCUMENTS DE REFERENCE / REFERENCE DOCUMENTS :
- PLAN D'INTERFACE / INTERFACE DRAWING:
TYCO ELECTRONICS No/Nr 1544642

REFERENCES TE POUR CABLEURS TE PART NUMBERS FOR HARNESS MAKERS		
COMPOSANTS COMPONENTS	REF TYCO ELECTRONICS TYCO ELECTRONICS PN	MATIERE/MATERIAL
CLIP 8mm NGI G2: GAMME DE 3 A 6 mm ² 8mm NGI RECEPTACLE G2: RANGE FROM 3 TO 6 mm ²	1544227-1	CUIVRE MICRO-ALLIE MICRO ALLOYED COPPER
CLIP 8mm NGI G3: GAMME DE 7 A 10 mm ² 8mm NGI RECEPTACLE G3: RANGE FROM 7 TO 10 mm ²	1544228-1	CUIVRE MICRO-ALLIE MICRO ALLOYED COPPER

COMPOSANTS ASSOCIES POUR CABLEURS ASSOCIATED COMPONENTS FOR HARNESS MAKERS			
COMPOSANTS COMPONENTS	REF TE TE PN	MATIERE/MATERIAL	COULEUR COLOR
PORTE-LANGUETTE IV 8mm NGI 1-WAY 8mm NGI TAB HOUSING	1544606-1	PBT FV-10 V0 PBT GF-10 V0	NOIR/BLACK
PORTE-LANGUETTE IV 8mm NGI 1-WAY 8mm NGI TAB HOUSING	1544606-2	PBT FV-10 V0 PBT GF-10 V0	BLEU/BLEU
PORTE-LANGUETTE IV 8mm NGI 1-WAY 8mm NGI TAB HOUSING	1544606-3	PBT FV-10 V0 PBT GF-10 V0	GRIS/GREY



REFERENCE DES COMPOSANTS / COMPONENTS PART NUMBER			
REFERENCE TE TE PN	1544601-1	1544601-2	1544601-3
COULEUR COLOR	NOIR / BLACK	BLEU / BLUE	GRIS / GREY

<p>TYCO ELECTRONICS CORPORATION 15000 W. BOWLING GREEN BLVD. ANN ARBOR, MI 48106-3000 USA</p> <p>TYCO ELECTRONICS FRANCE SAS 517 av. de la Boisse, 73000 Chambéry FRANCE</p>	<p>DATE: 31 JUL 2007</p> <p>DESIGNER: F. SAPIET</p> <p>CHECKED: P. CHARLES</p> <p>APPROVED: J. DABIER</p> <p>PRODUCT SPEC: 108-15282</p> <p>APPLICATION SPEC: 411-13664</p> <p>WEIGHT: APPROX. 5.8 g</p>	<p>TYCO ELECTRONICS</p> <p>NAME: PORTE CLIP 1 VOIE 8mm NGI 1WAY 8mm NGI RECEPTACLE HOUSING</p> <p>SIZE: A1</p> <p>CAGE CODE: 00779</p> <p>DRAWING NO: 1544601</p> <p>REVISION: 1</p>	<p>UNIQUEMENT POUR REFERENCE / SCALE 3:1</p> <p>SHEET 1 OF 1</p>
--------------------------------------------------------------------------------------------------------------------------------------------------------------------------------------------------	----------------------------------------------------------------------------------------------------------------------------------------------------------------------------------------------------------	------------------------------------------------------------------------------------------------------------------------------------------------------------------------------------------	------------------------------------------------------------------

单击下面可查看定价，库存，交付和生命周期等信息

[>>TE Connectivity\(泰科\)](#)