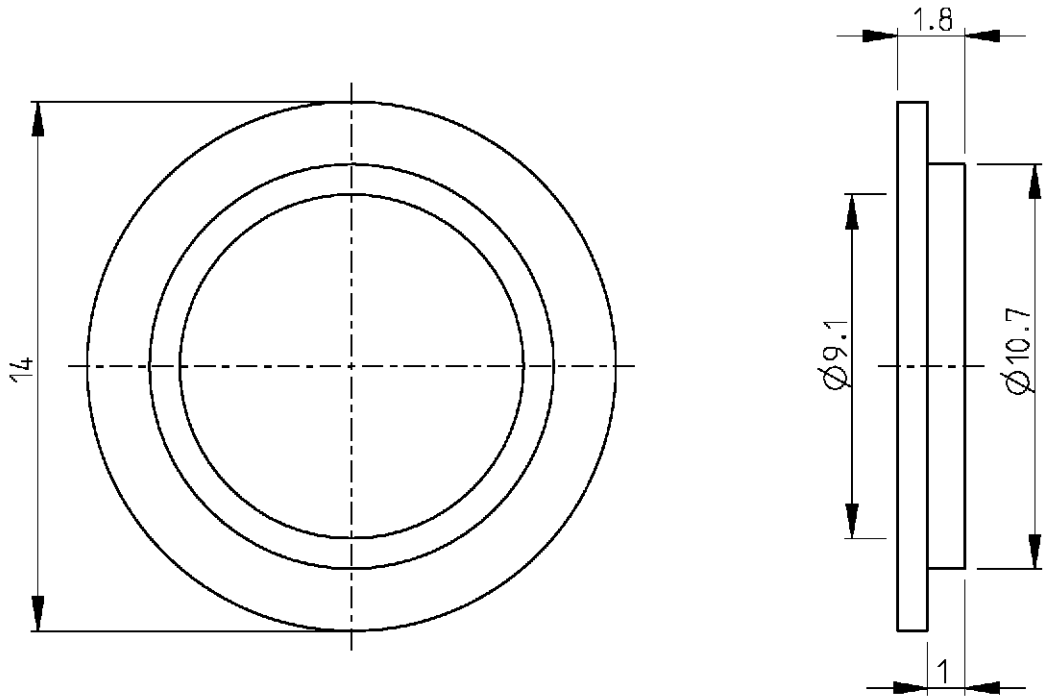
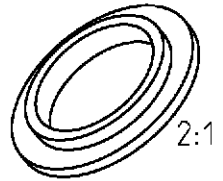
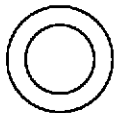


LOC	DIST	REVISIONS			
P	LTR	DESCRIPTION	DATE	DWN	APVD
GW	-	A	-	05APR2001	BL KM



Tolerance : ISO 8015 ISO 2768-m-R



Cross reference	
Old part number	Tyco part number
C23335-A803-C127	1393562-5

THIS DRAWING IS UNPUBLISHED. 2000 RELEASED FOR PUBLICATION

COPYRIGHT 2000 BY TYCO ELECTRONICS CORPORATION. ALL RIGHTS RESERVED.

DIMENSIONS: mm	DWN B. Lenvain	21FEB2001	MATERIAL	POM	FINISH	-
	CHR K. Mattheeuws	22FEB2001	Tyco Electronics Oostkamp - Belgium			
TOLERANCES UNLESS OTHERWISE SPECIFIED:	APVD D. Bozzer	23FEB2001				
0 PLC ±	PRODUCT SPEC	-	SIZE	A 4	CAGE CODE	00779
1 PLC ±	APPLICATION SPEC	-	DRAWING NO	C=1393562-5		RESTRICTED TO
2 PLC ±	WEIGHT	-	CUSTOMER DRAWING			
3 PLC ±			SCALE	5/1	SHEET	1 OF 1
4 PLC ±			REV A			
ANGLES ±						

单击下面可查看定价，库存，交付和生命周期等信息

[>>TE Connectivity\(泰科\)](#)