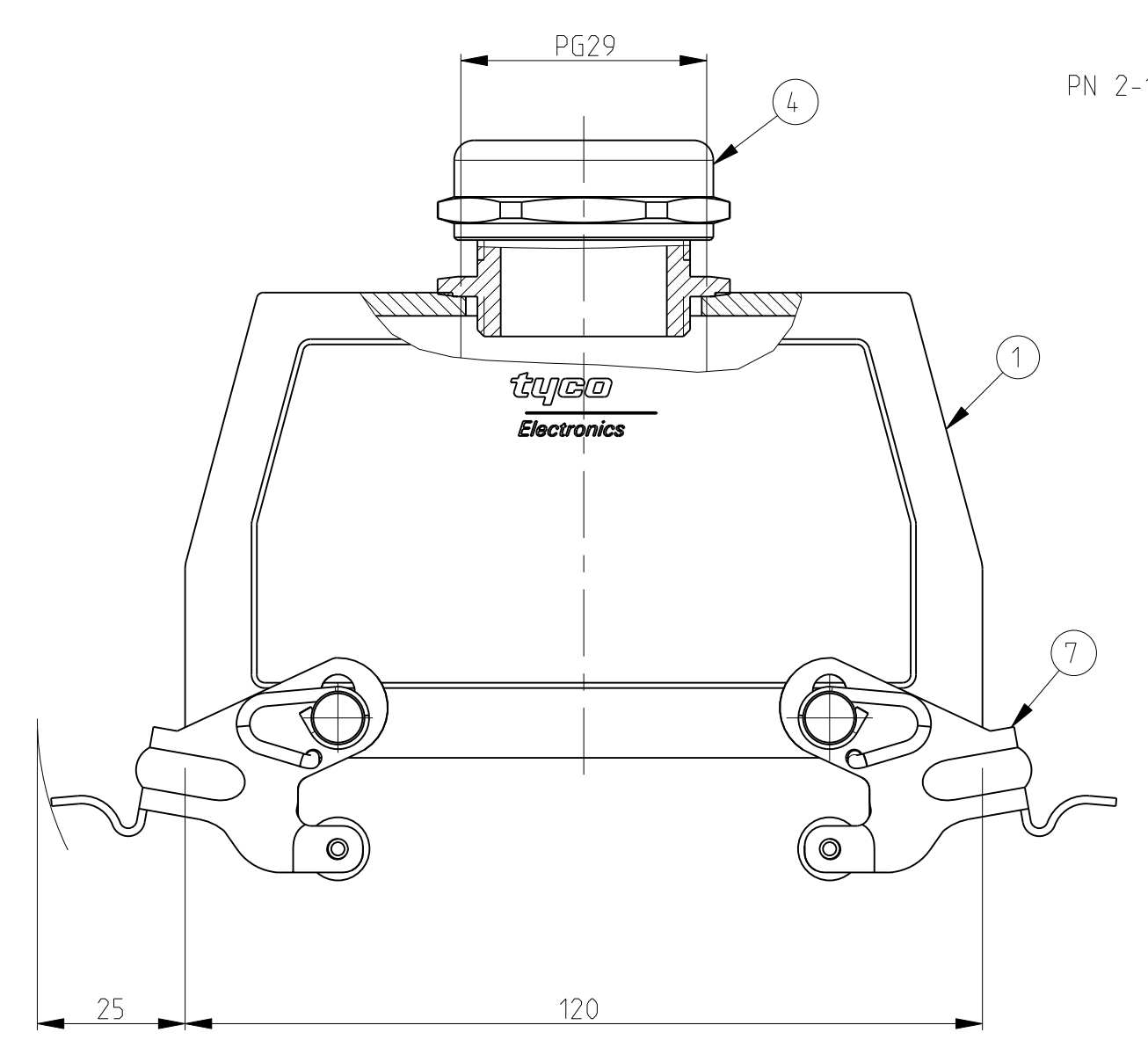
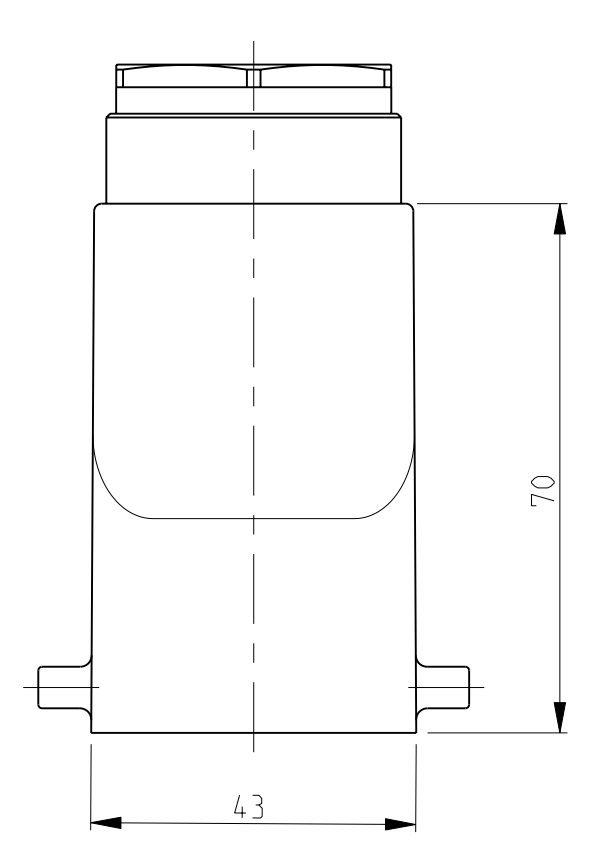
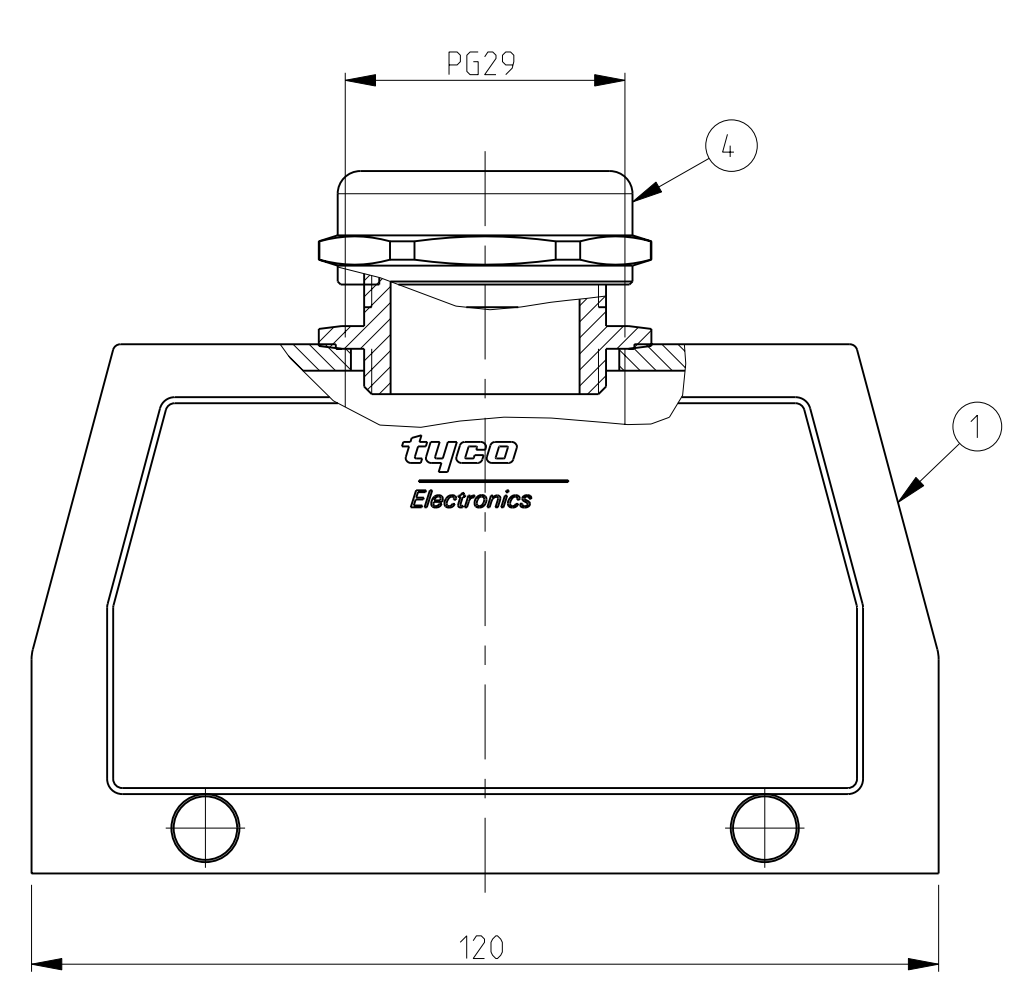
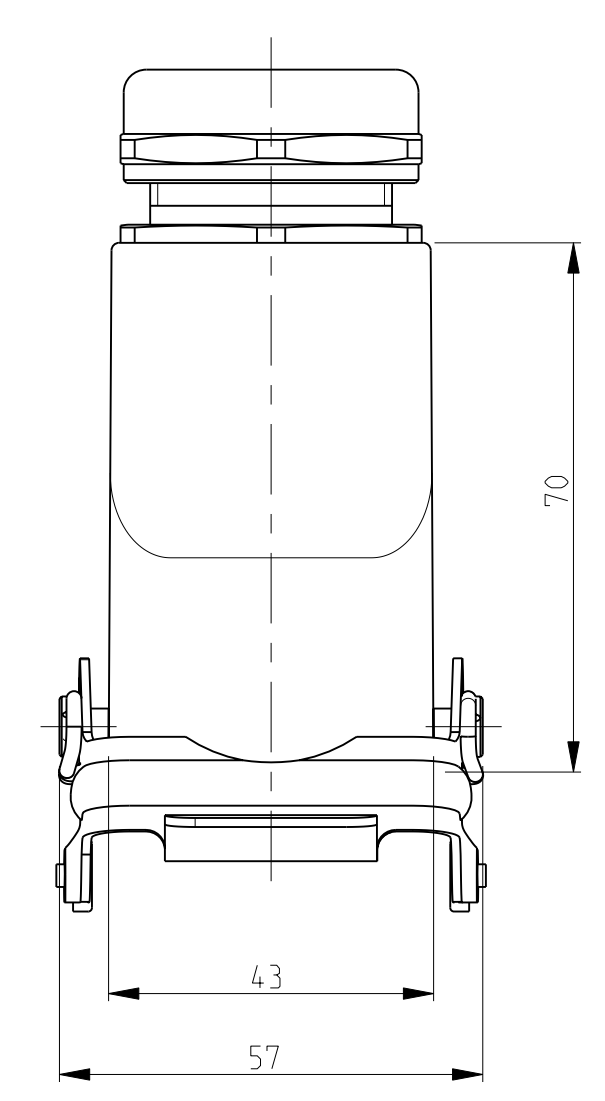


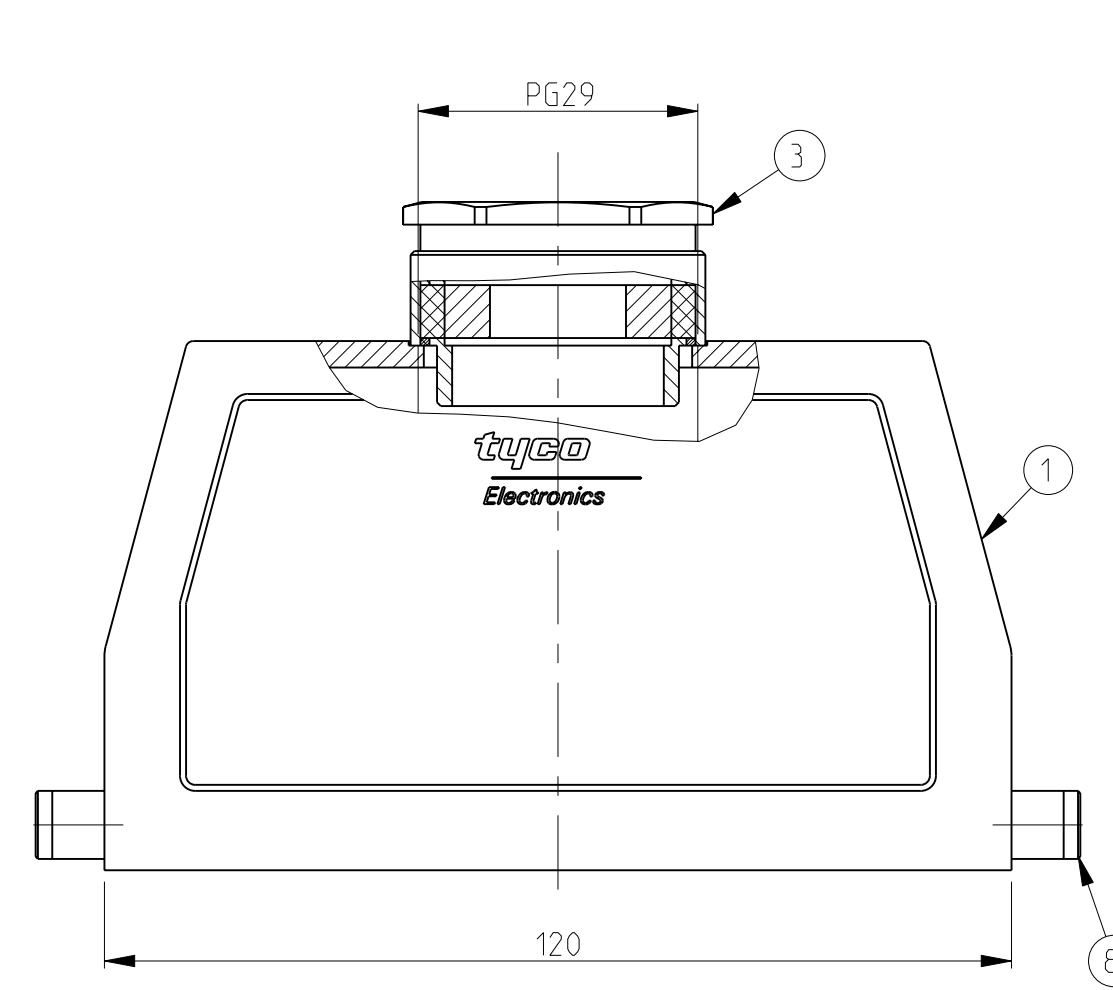
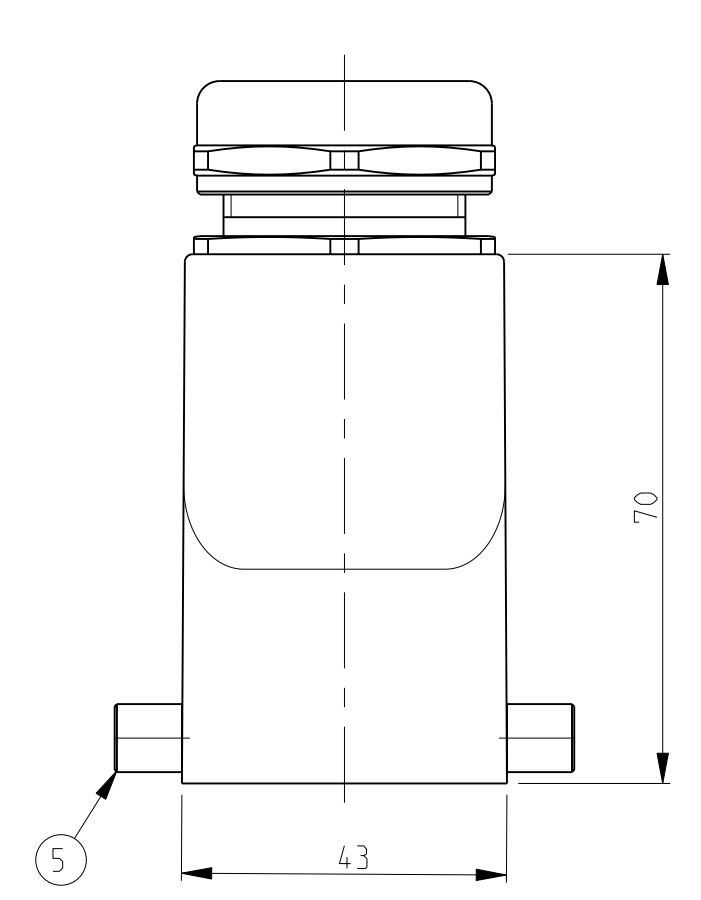
PN 1-6



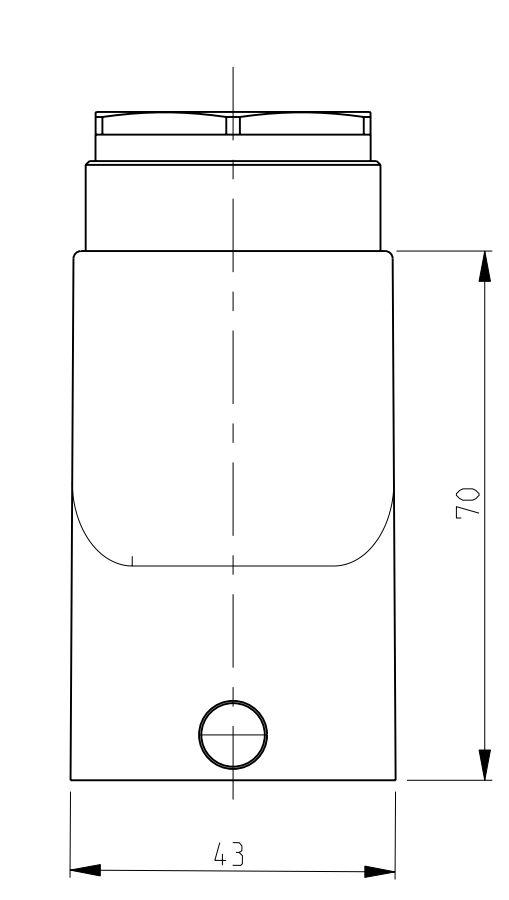
PN 2-1



PN 2-6

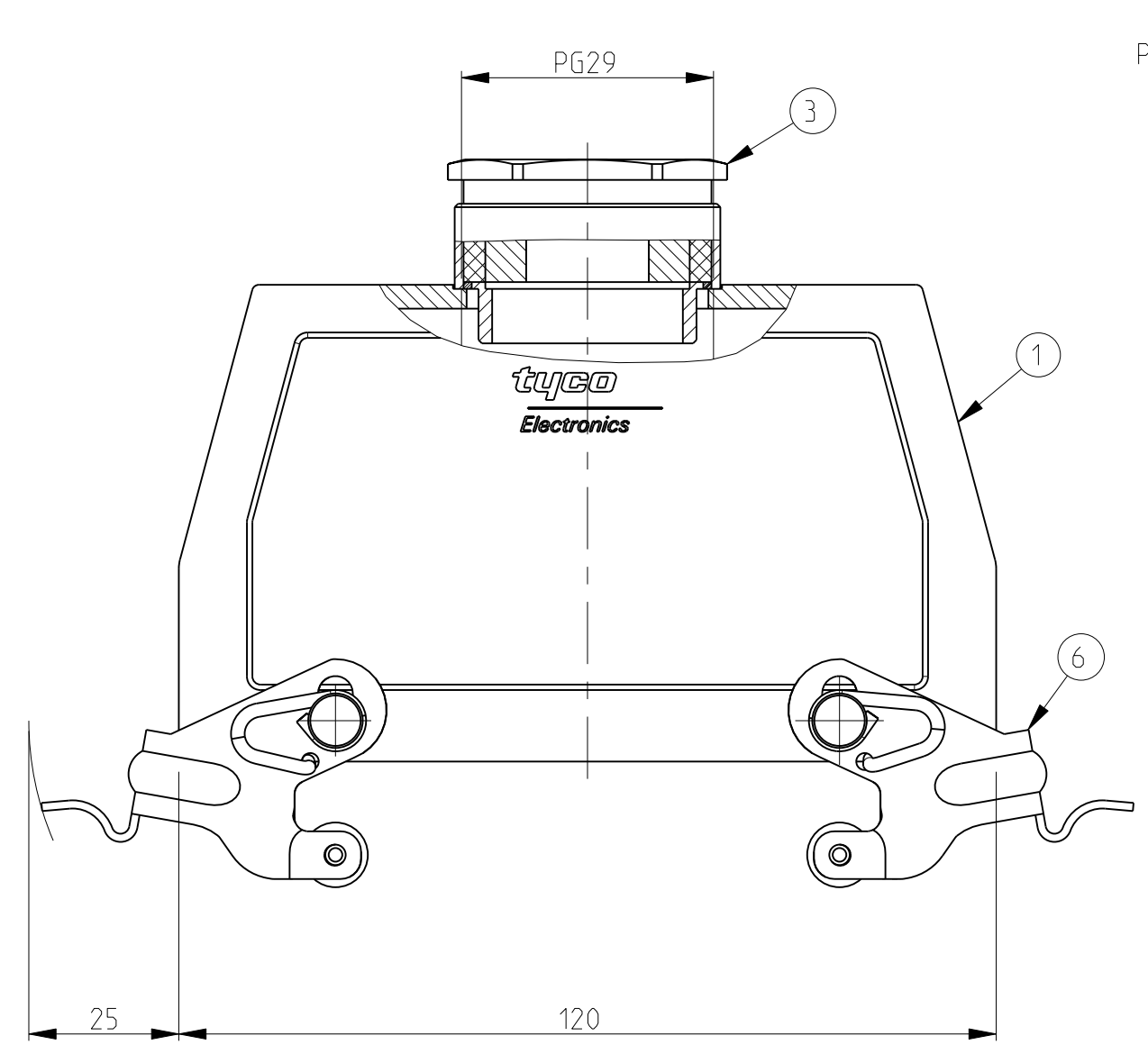
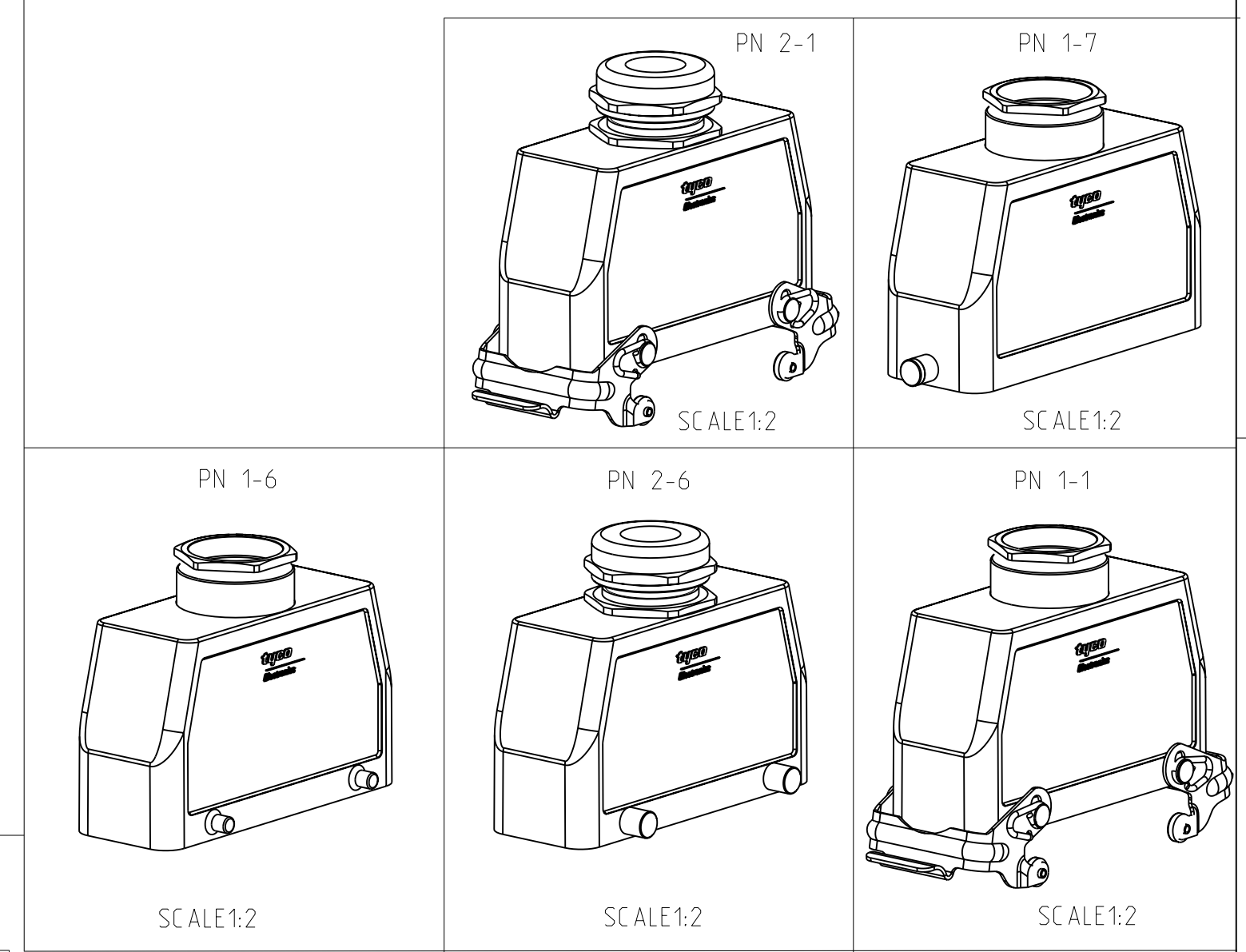


PN 1-7

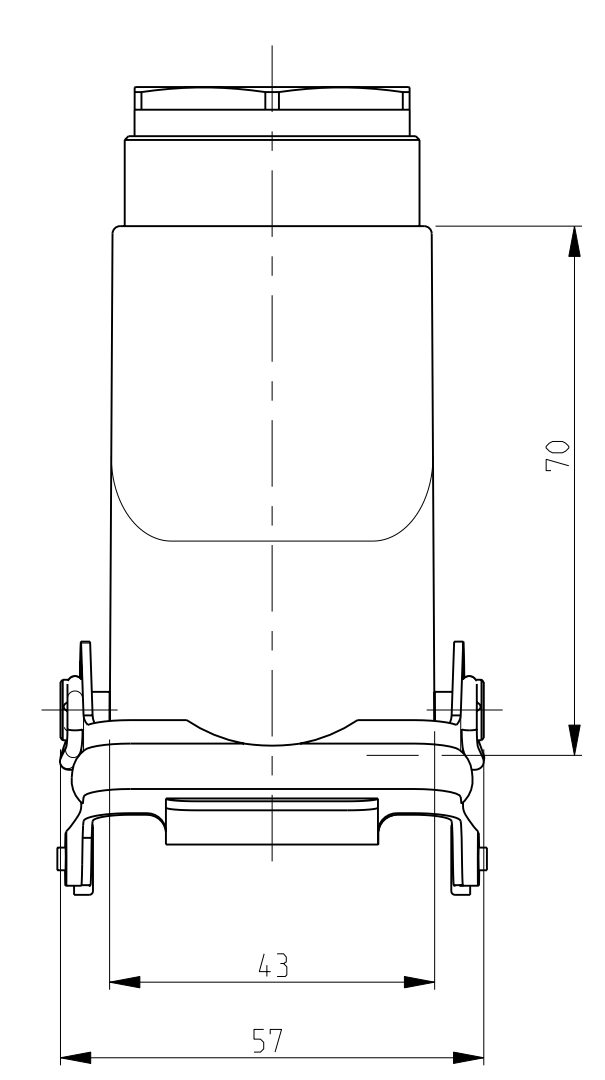


- NOTES.
- 1 Material:Housing:Aluminium Diecasting Alloy
 - 2 Surface:Varnish grey
 - 3 Varnish on the inside not necessary
 - 4 Packaging Quantity 5 Pieces in a box

LOC	DIST	REV	DESCRIPTION	DATE	DWN	APVD
A1	-	B4	Released as per ECR-07-019955	22.08.07	SK	TS



PN 1-1



QTY	DESCRIPTION	MATERIAL	SURFACE	COLOR	ITEM NO	REMARKS
1	ZB-Central clip	Stainless steel	-	Blue	11	
1	ZB-Central clip	Steel	Zinc plated	Blue	10	
2	LB-Clip bolt	Stainless steel	-	Blue	9	
2	LB-Clip bolt	Steel	Zinc plated	Blue	8	
2	VS-Side clip	Stainless steel	-	Blue	7	
2	VS-Side clip	Steel	Zinc plated	Blue	6	
4	VS-Clip bolt	Stainless steel	-	Blue	5	
1	HUT-Gland fitting Pg29	Brass	Nickel plated	Blue	4	
1	PG-Gland fitting Pg29	Brass	Nickel plated	Blue	3	
1	Hood HB.24.Pg.1.29	Aluminium	Aluminium oxide	Black	2	
1	Hood HB.24.Pg.1.29	Aluminium	-	Grey	1	

ORDERING TEXT

HB.24.Sto.1.29
 HB.-K.24.Sto.1.29
 HB24.Sto-VS.1.29
 HB.-K.24.Sto-VS.1.29
 HB.24.Sto-GR.1.29
 HB-K.24.Sto-GR.1.29
 HB-7.24.Sto.1.29
 HB-K/2.24.Sto-ZB.1.29

DIMENSIONS:	TOLERANCES UNLESS OTHERWISE SPECIFIED:	DWN	Schwäger	17.07.1997	Tyco Electronics AMP GmbH
mm	0.10 mm	CHK	Schnurteil	17.07.1997	0-53819-Neunkirchen,Germany
	0.20 mm	APVD			
	0.50 mm				
	1.00 mm				
	2.00 mm				
	3.00 mm				
	4.00 mm				
	5.00 mm				
	6.00 mm				
	7.00 mm				
	8.00 mm				
	9.00 mm				
	10.00 mm				
	11.00 mm				
	12.00 mm				
	13.00 mm				
	14.00 mm				
	15.00 mm				
	16.00 mm				
	17.00 mm				
	18.00 mm				
	19.00 mm				
	20.00 mm				
	21.00 mm				
	22.00 mm				
	23.00 mm				
	24.00 mm				
	25.00 mm				
	26.00 mm				
	27.00 mm				
	28.00 mm				
	29.00 mm				
	30.00 mm				
	31.00 mm				
	32.00 mm				
	33.00 mm				
	34.00 mm				
	35.00 mm				
	36.00 mm				
	37.00 mm				
	38.00 mm				
	39.00 mm				
	40.00 mm				
	41.00 mm				
	42.00 mm				
	43.00 mm				
	44.00 mm				
	45.00 mm				
	46.00 mm				
	47.00 mm				
	48.00 mm				
	49.00 mm				
	50.00 mm				
	51.00 mm				
	52.00 mm				
	53.00 mm				
	54.00 mm				
	55.00 mm				
	56.00 mm				
	57.00 mm				
	58.00 mm				
	59.00 mm				
	60.00 mm				
	61.00 mm				
	62.00 mm				
	63.00 mm				
	64.00 mm				
	65.00 mm				
	66.00 mm				
	67.00 mm				
	68.00 mm				
	69.00 mm				
	70.00 mm				
	71.00 mm				
	72.00 mm				
	73.00 mm				
	74.00 mm				
	75.00 mm				
	76.00 mm				
	77.00 mm				
	78.00 mm				
	79.00 mm				
	80.00 mm				
	81.00 mm				
	82.00 mm				
	83.00 mm				
	84.00 mm				
	85.00 mm				
	86.00 mm				
	87.00 mm				
	88.00 mm				
	89.00 mm				
	90.00 mm				
	91.00 mm				
	92.00 mm				
	93.00 mm				
	94.00 mm				
	95.00 mm				
	96.00 mm				
	97.00 mm				
	98.00 mm				
	99.00 mm				
	100.00 mm				

CUSTOMER DRAWING

单击下面可查看定价，库存，交付和生命周期等信息

[>>TE Connectivity\(泰科\)](#)