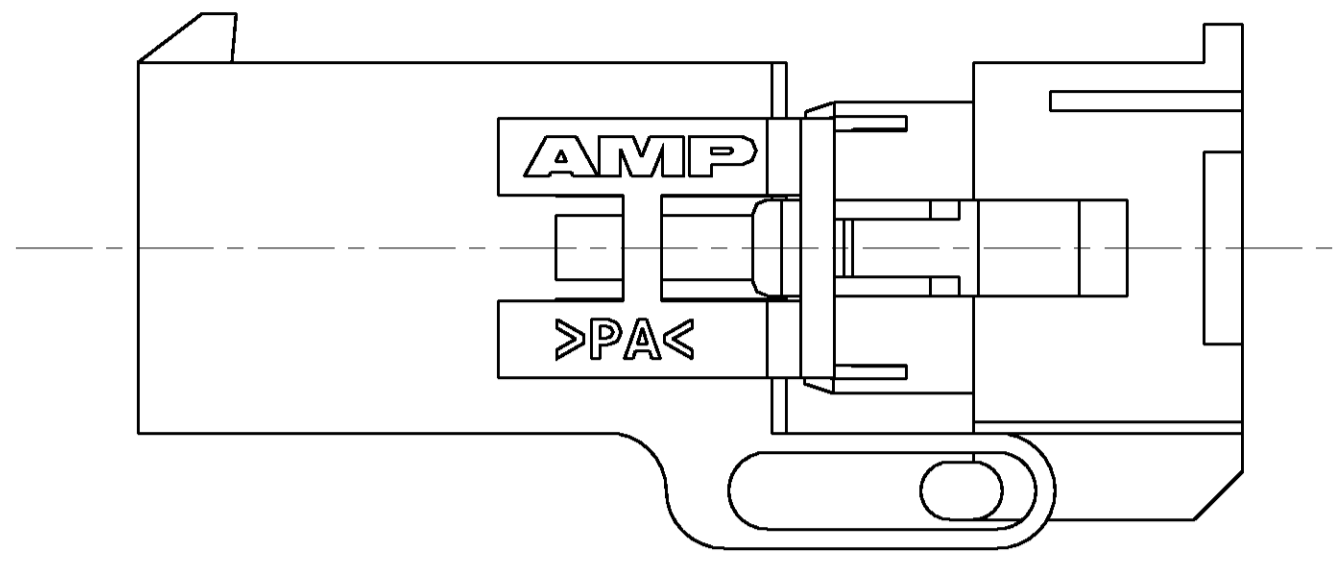
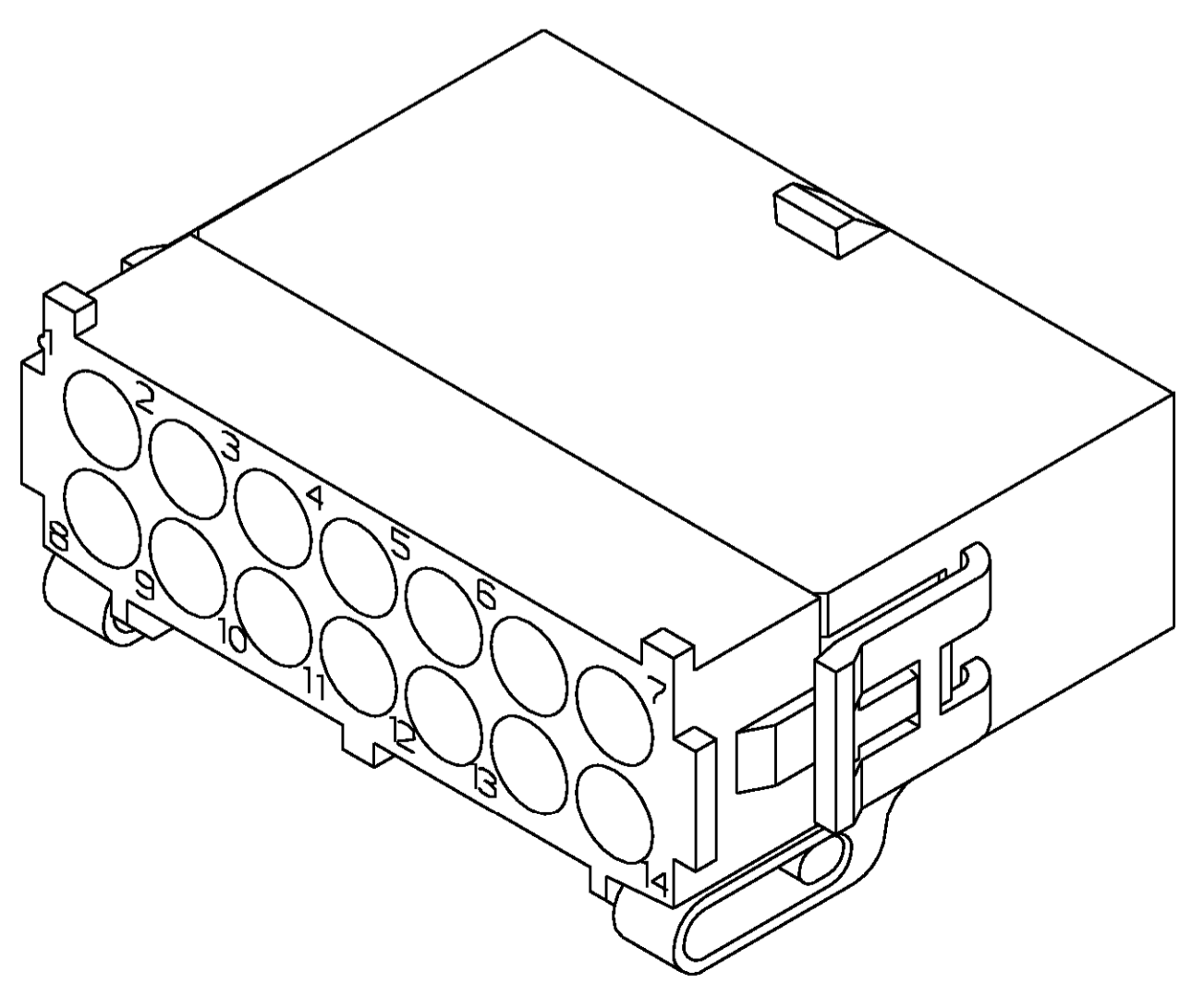
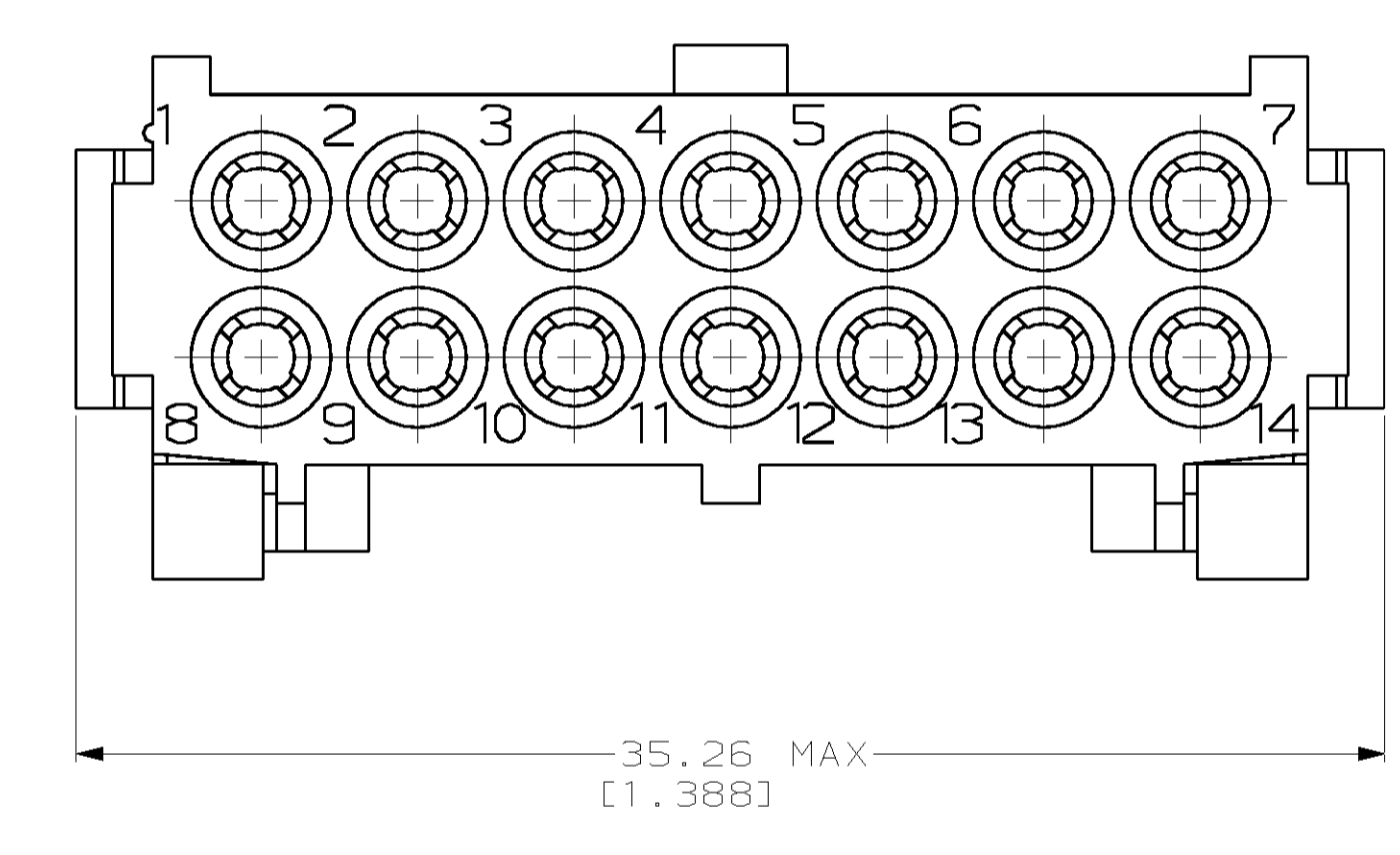
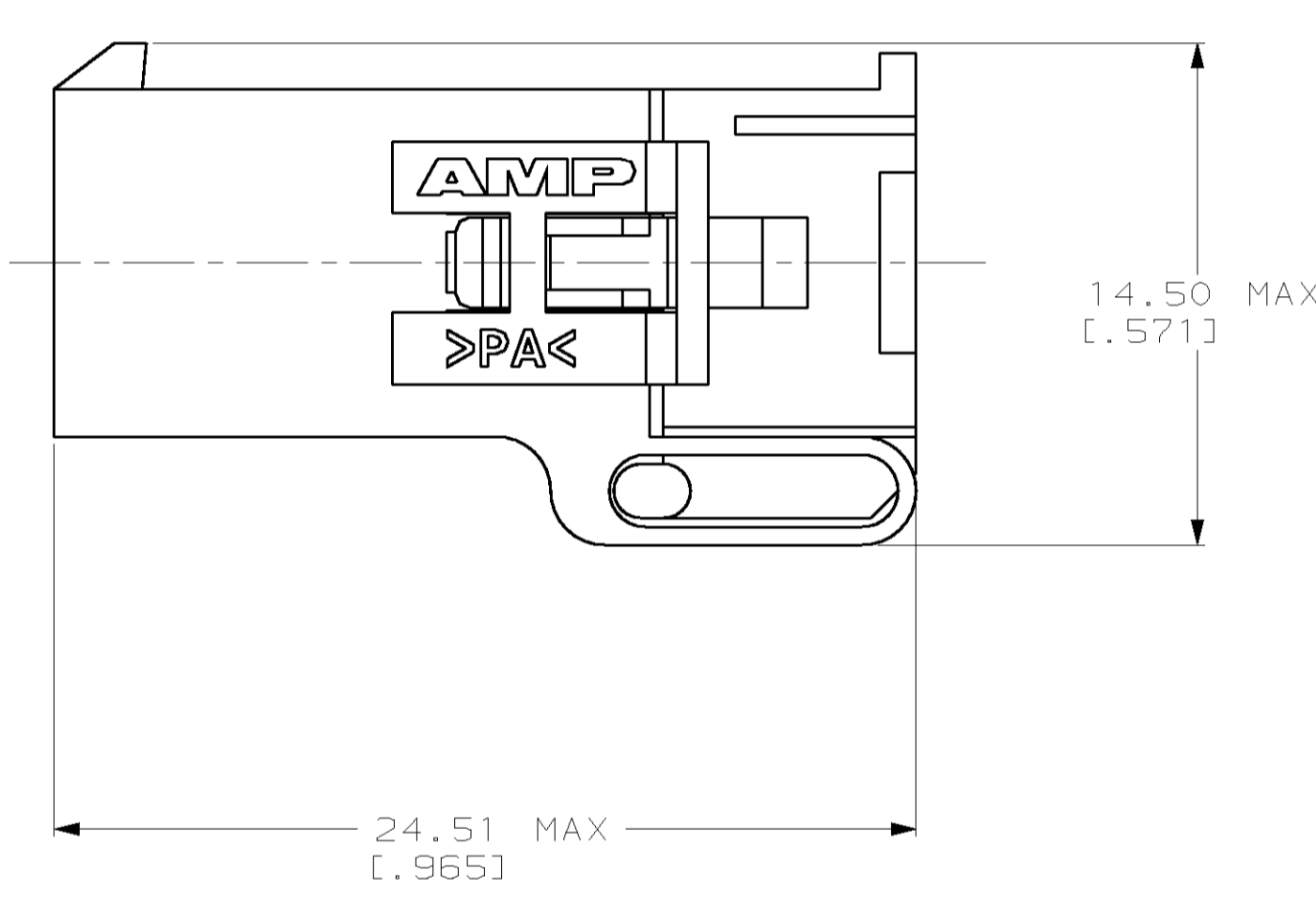
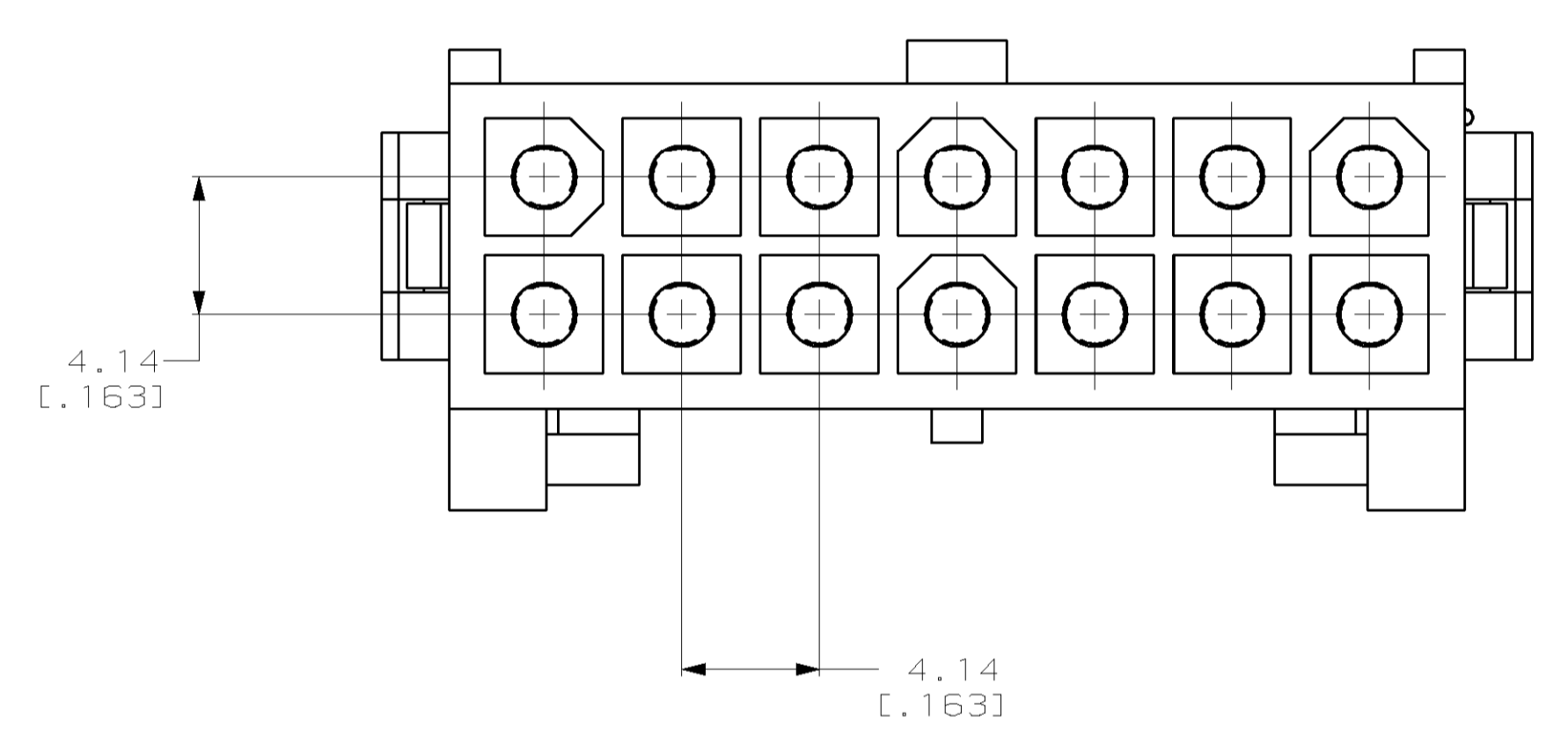


LOC	DIST	REV	CHG	DESCRIPTION	DATE	OWN	APVD
CM	53	A		REV PER EC 061B-0094-99	23-SEP-99	KW	KC

1. DIMENSIONS IN BRACKETS ARE IN INCHES.



PRE-STAGED CONDITION



3-DIMENSIONAL MODEL
NTS

794203-1
PART NUMBER



THIS DRAWING IS A CONTROLLED DOCUMENT.		DWN K. WHITAKER	5-16-97	AMP Incorporated Harrisburg, PA 17105-3608
DIMENSIONS:		CHK R. SWING	5-16-97	
TOLERANCES UNLESS OTHERWISE SPECIFIED:		APVD R. ORSTAD	5-16-97	
0 PLC ± 1 PLC ± 2 PLC ± 3 PLC ±0.13 (.005) 4 PLC ± ANGLES ±		NAME	CAP, 14 CIRCUIT, MINI UNIVERSAL MATE-N-LOK™ 2	
MATERIAL NYLON, UL 94V-0, NATURAL	FINISH	WEIGHT	SIZE A1 00779	RESTRICTED TO
CUSTOMER DRAWING			SCALE 5:1	SHEET 1 OF 1

单击下面可查看定价，库存，交付和生命周期等信息

[>>TE Connectivity\(泰科\)](#)