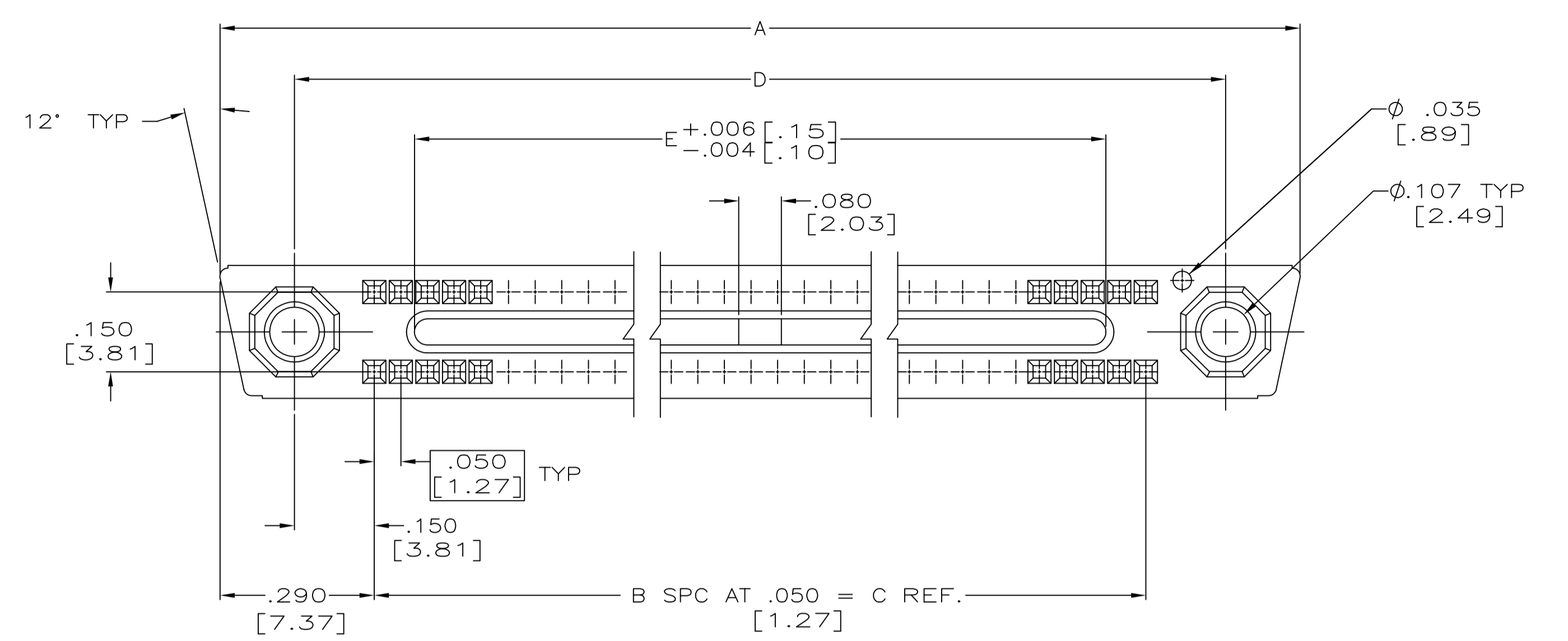
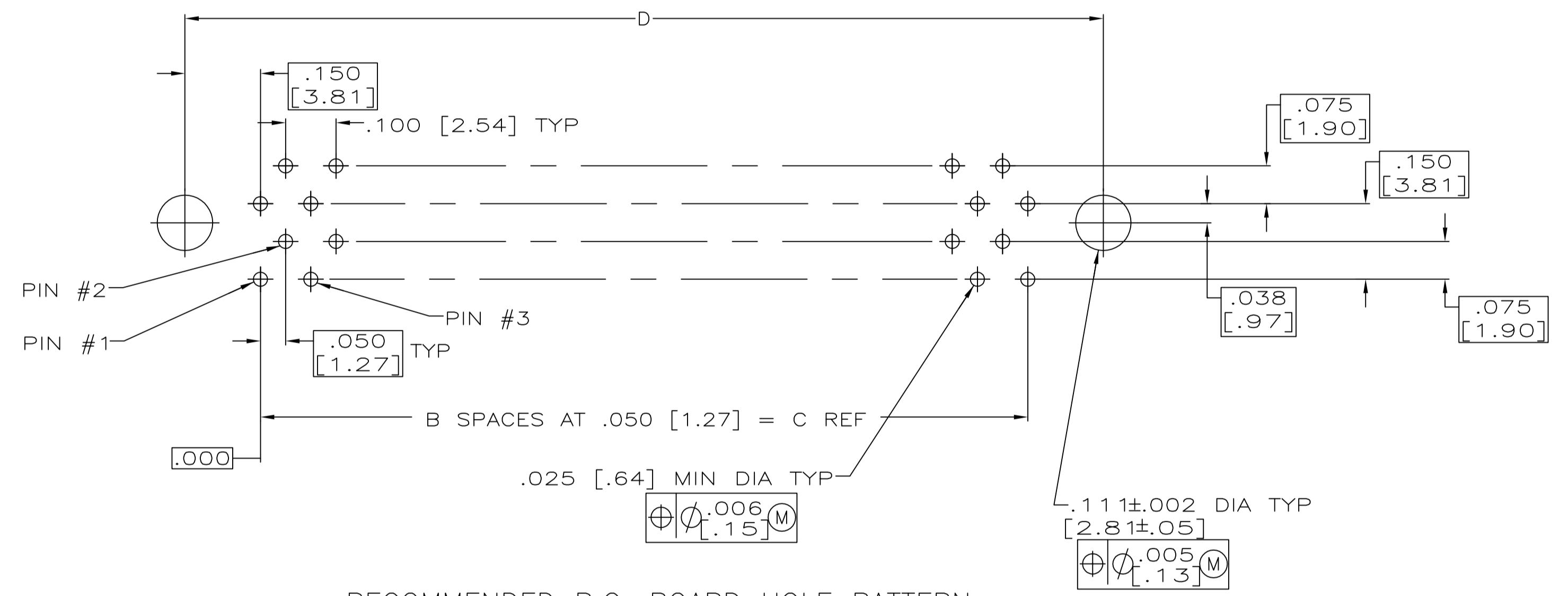
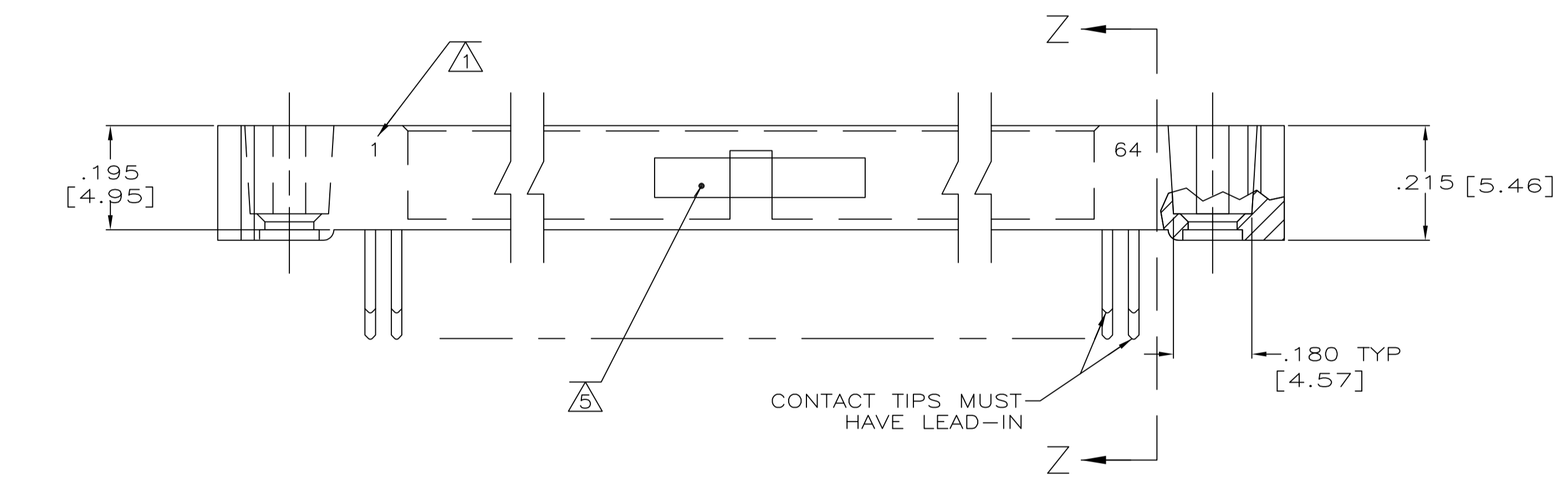


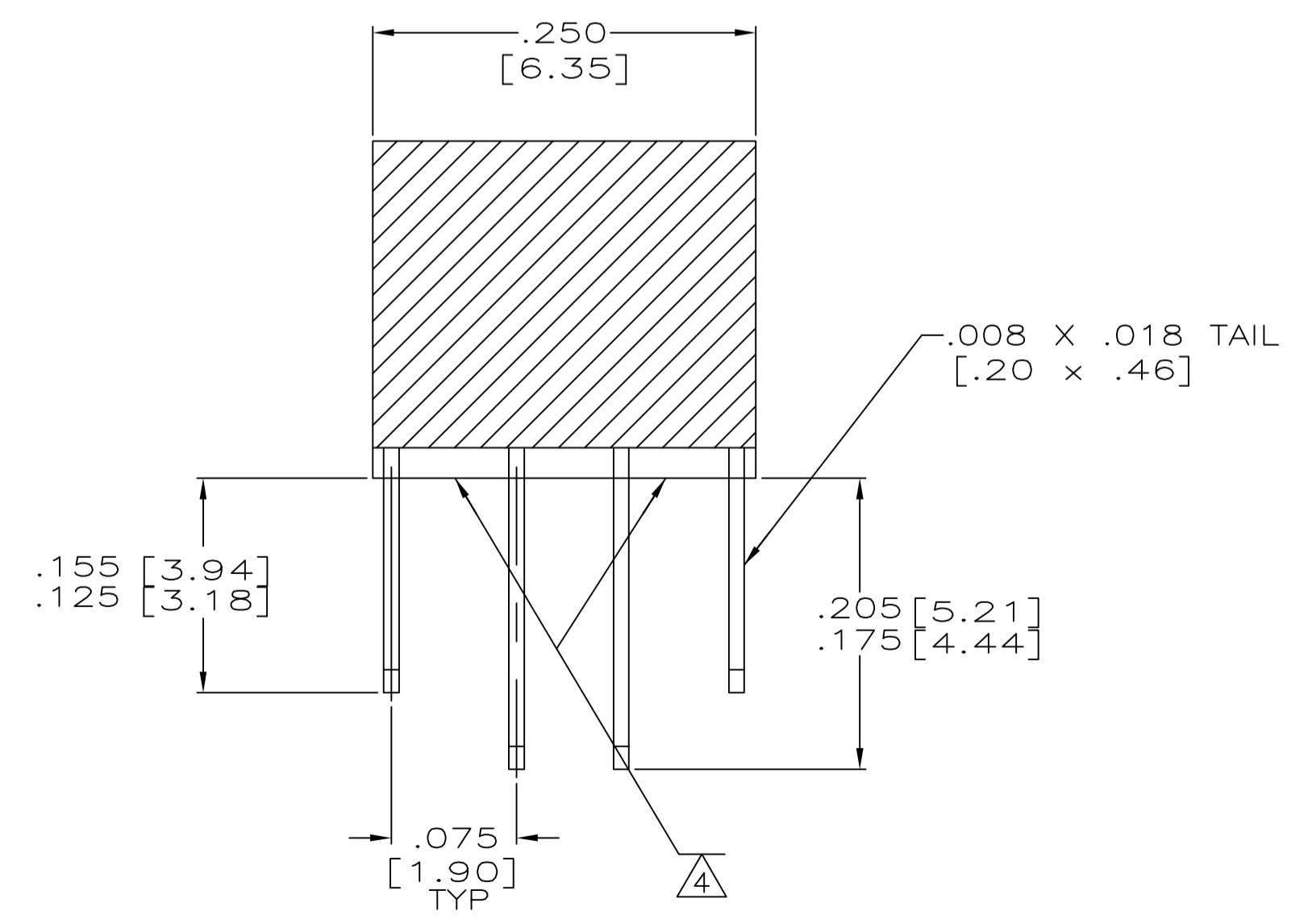
REVISIONS				
P	LTR	DESCRIPTION	DATE	OWN APVD
A		REVISED PER ECO-16-017894	27APR2017	PHM CT



- 1. NUMBERS INDICATING END POSITIONS MARKED THIS SIDE ONLY.
- 2. MEETS ALL APPLICABLE REQUIREMENTS OF MIL-C-55302.
- 3. HOUSING MATERIAL: LIQUID CRYSTAL POLYMER PER MIL-M-24519, GLCP-30F; COLOR: GRAY.
- 4. EPOXY IS ADDED TO BOTTOM OF HOUSING FOR INCREASED CONTACT RETENTION AND SEALING.
- 5. AMP, PART NUMBER, CUSTOMER PART NUMBER AND DATE CODE MARKED IN THIS APPROXIMATE AREA.



RECOMMENDED P.C. BOARD HOLE PATTERN (CONNECTOR SIDE)



SECTION Z-Z  
SCALE 10:1

4	94987-232332-1	1 - 64	3.600 [91.44]	3.450 [87.63]	3.150 [80.01]	63	3.850 [97.79]	128	443111-1
REMARKS	CUSTOMER PART NUMBER	CAVITY IDENT	E	D	C	B	A	NO OF POSN	PART NUMBER
THIS DRAWING IS A CONTROLLED DOCUMENT.									
DIMENSIONS: mm						OWN T. ALEXANDER 3-7-95		APVD D. GUTTER 3-8-95	
TOLERANCES UNLESS OTHERWISE SPECIFIED:						D. GUTTER 3-8-95		NAME	
0 PLC ± -						APVD D. GUTTER 3-8-95		PRODUCT SPEC	
1 PLC ± -						NAME		RECEPTACLE ASSEMBLY, SEALED, MINI-BOX, W/SPECIAL MARKING	
2 PLC ± -						APPLICATION SPEC		SIZE CAGE CODE DRAWING NO	
3 PLC ± .005 [.13]						RESTRICTED TO		A1 00779 C=443111	
4 PLC ± -						MATERIAL		SCALE 5:1 SHEET 1 OF 1 REV A	
ANGLES ± -						FINISH		CUSTOMER DRAWING	
.00050 GOLD IN CONTACT AREA						WEIGHT			
TN-LEAD ON TAILS						CUSTOMER DRAWING			

单击下面可查看定价，库存，交付和生命周期等信息

[>>TE Connectivity\(泰科\)](#)