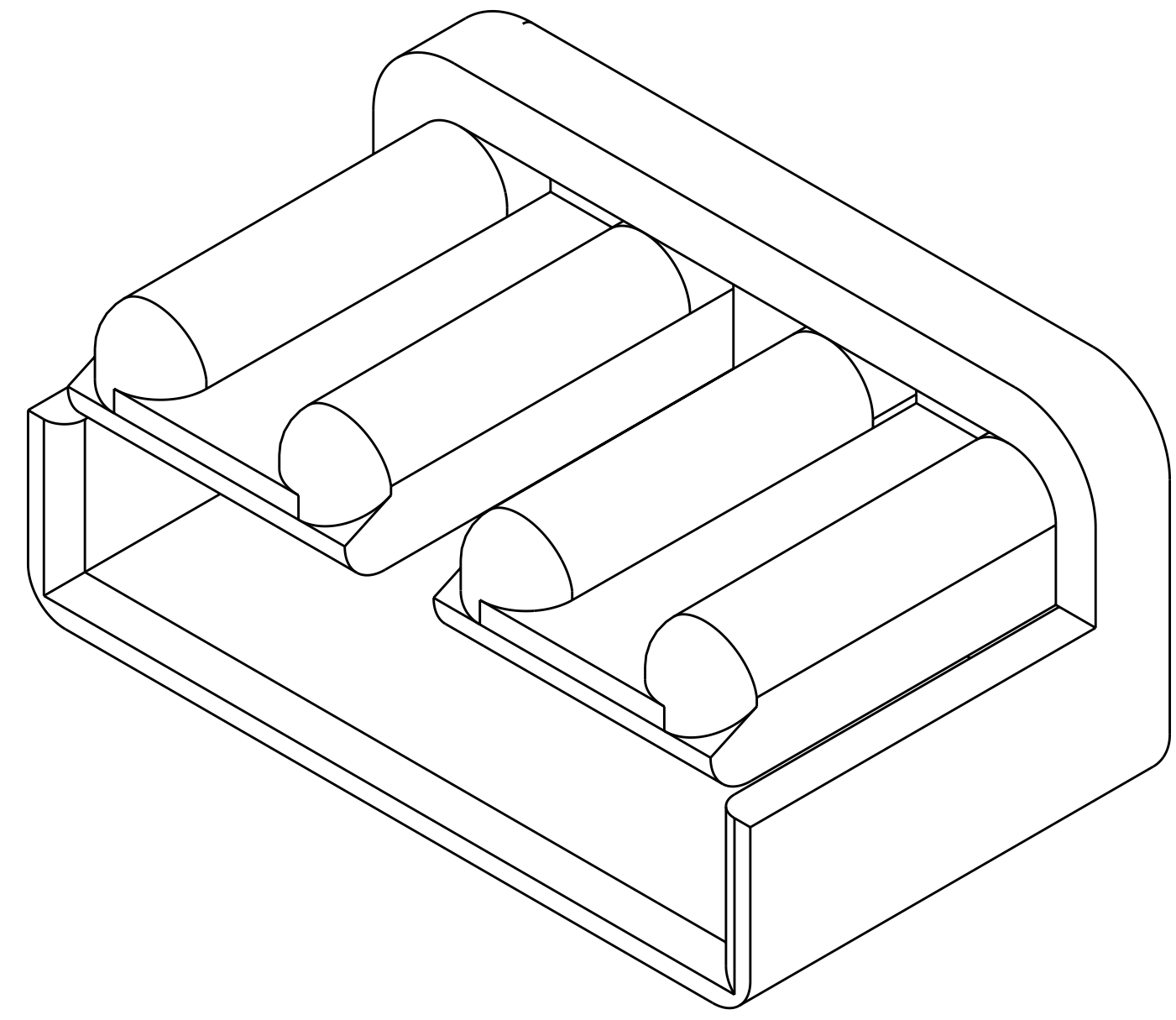
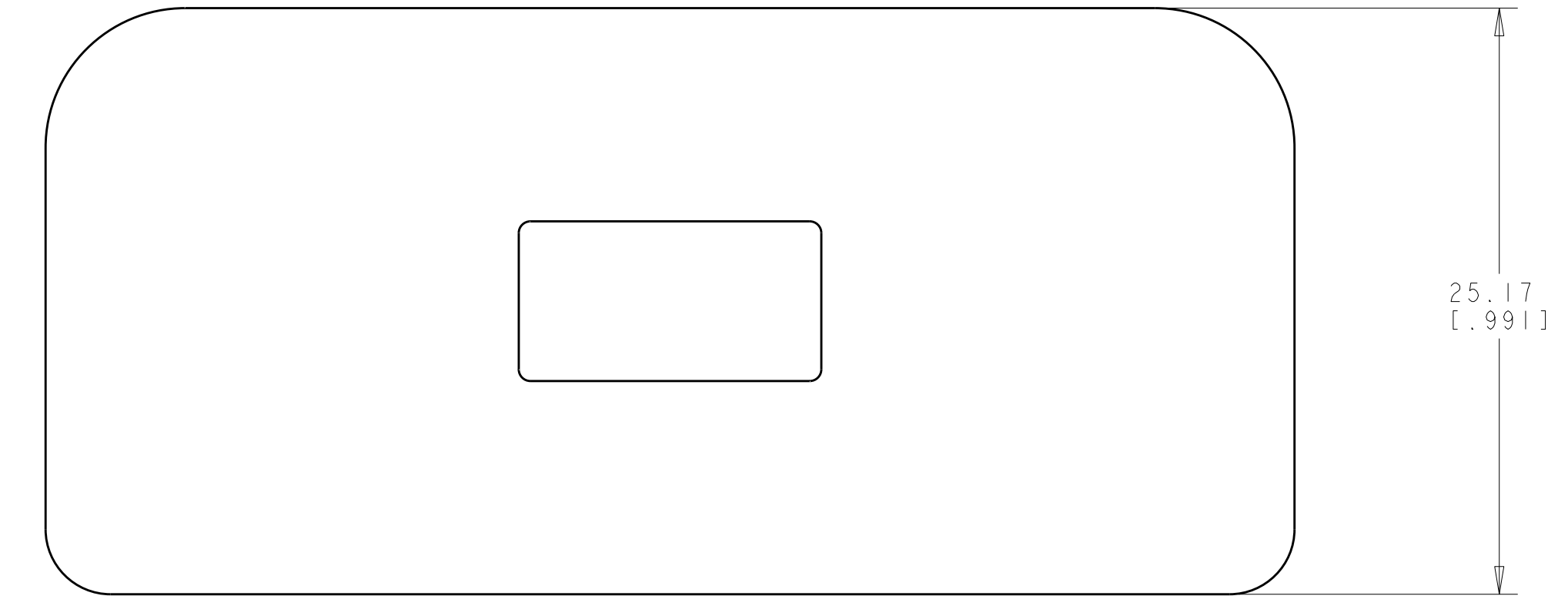
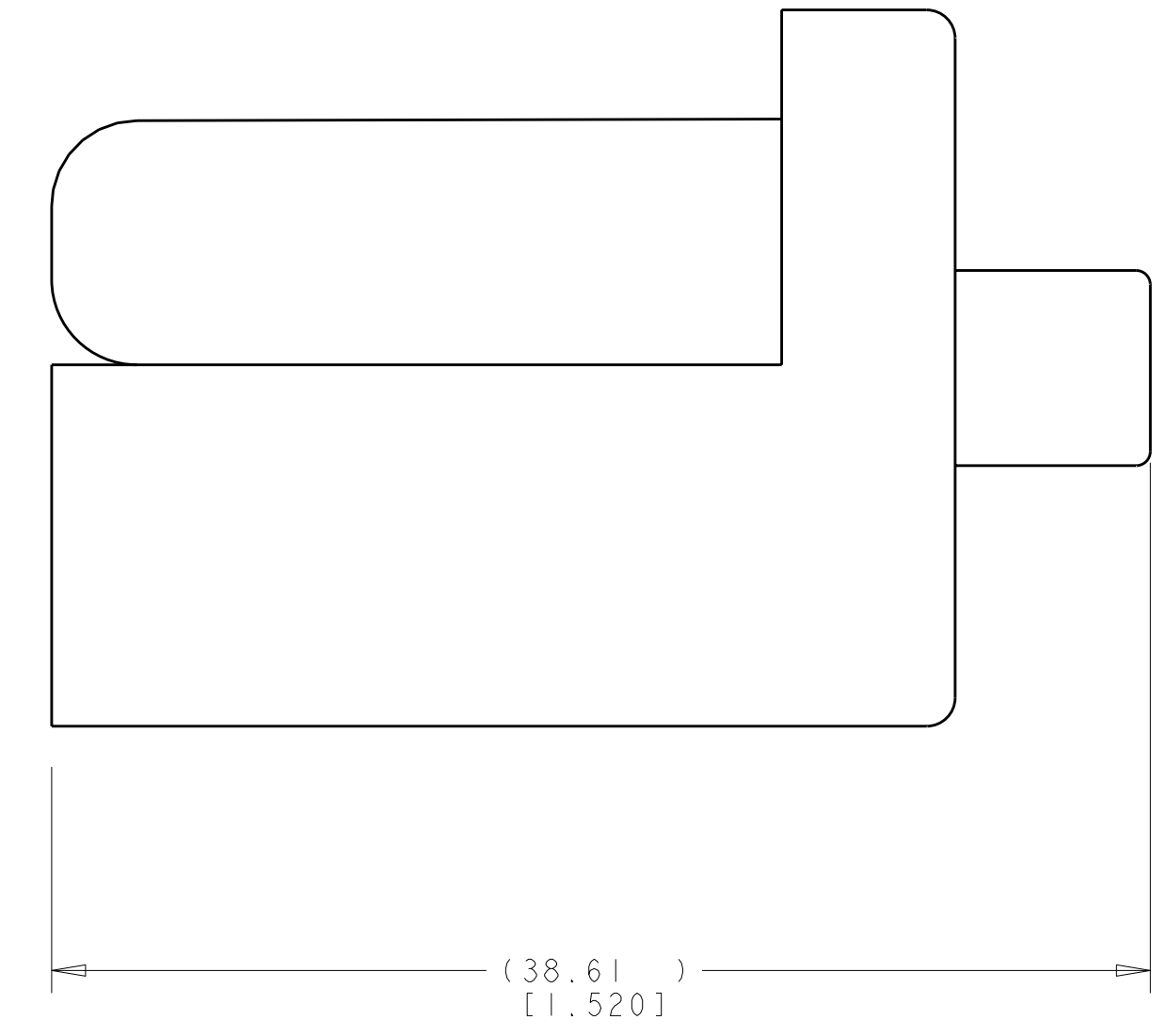
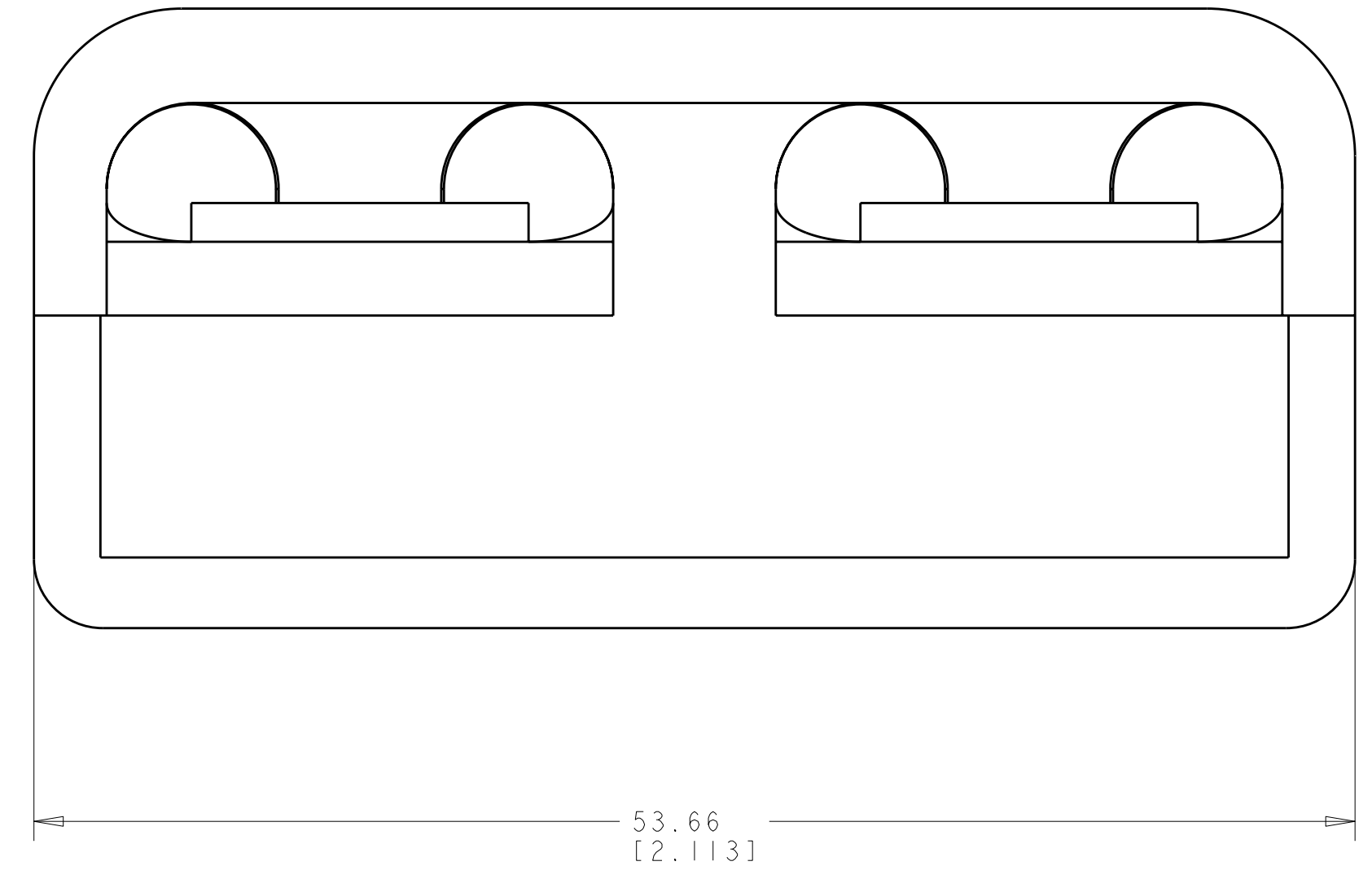
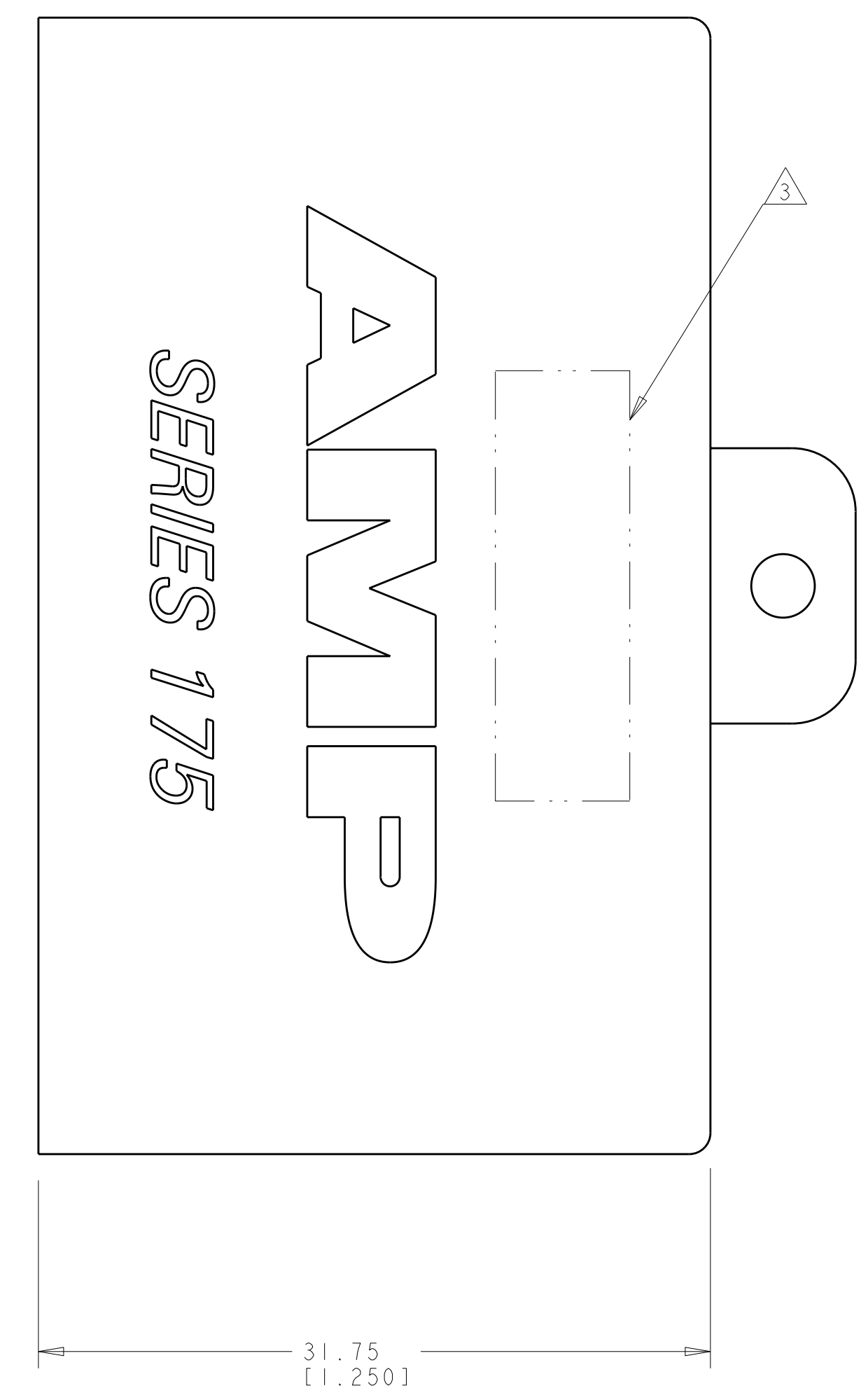


| LOC | DIST | REVISIONS |           |     |      |
|-----|------|-----------|-----------|-----|------|
| CM  | 00   | REV       | DATE      | BY  | APPD |
|     |      | A         | 03JUN2011 | HMR | DY   |
|     |      |           |           |     |      |
|     |      |           |           |     |      |

- 1. DIMENSIONS IN BRACKETS ARE IN INCHES.
- 2. MATERIAL: BLACK ASA.
- 3. TE OR TE CONNECTIVITY LOGO LOCATED APPROX IN THIS AREA.



SCALE 3:1



|                         |             |
|-------------------------|-------------|
| 1.091 INCH <sup>3</sup> | 647692-1    |
| VOLUME                  | PART NUMBER |

|  |          |                            |  |  |
|--|----------|----------------------------|--|--|
| THIS DRAWING IS A CONTROLLED DOCUMENT. |          | DWN: R. WHITAKER 09JAN2006 | NAME                                       |  |
| DIMENSIONS: mm [INCHES]                |          | CHK: J. ELLIS 09JAN2006    | DUST COVER HOUSING, AMP POWER SERIES 175   |  |
| TOLERANCES UNLESS OTHERWISE SPECIFIED: |          | APVD: J. ELLIS 09JAN2006   | SIZE: CAGE CODE: DRAWING NO: RESTRICTED TO |  |
| 0 PLC ±                                | 1 PLC ±  | PRODUCT SPEC               | A100779C-647692                            |  |
| 2 PLC ±0.13 (1.005)                    | 3 PLC ±  | APPLICATION SPEC           | SCALE 4:1 SHEET 1 OF 1 REV A               |  |
| 4 PLC ±                                | ANGLES ± | WEIGHT SEE TABLE           |  |  |
| FINISH                                 | ±0°30'   | CUSTOMER DRAWING           |  |  |

单击下面可查看定价，库存，交付和生命周期等信息

[>>TE Connectivity\(泰科\)](#)