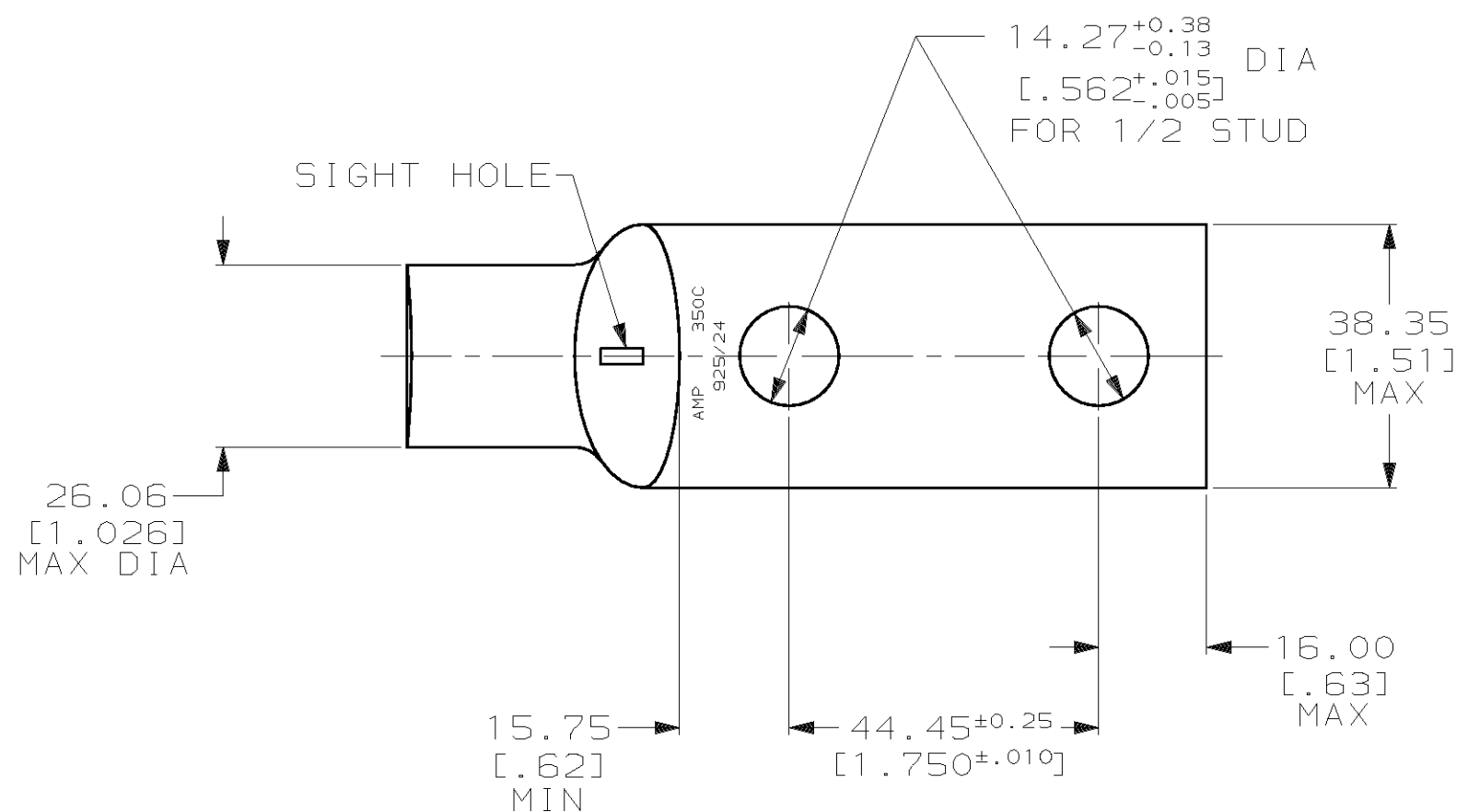
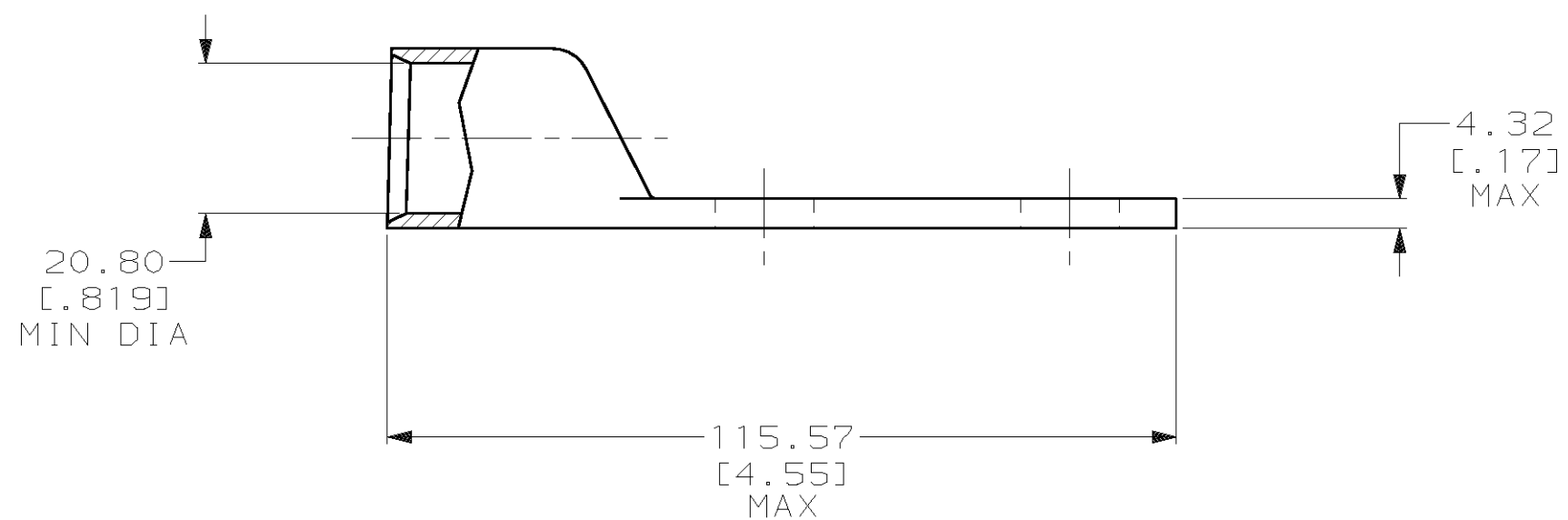


THIS DRAWING IS UNPUBLISHED. RELEASED FOR PUBLICATION  
 © COPYRIGHT 19 BY AMP INCORPORATED. ALL INTERNATIONAL RIGHTS RESERVED.

LOC		DIST		P		F		ZONE		LTR		REVISIONS		DATE	APPD
G		86								M		REV PER 0G3A-0561-01		09OCT02	JR/MS



- 1 CIRCULAR MIL AREA RANGE: 325-375 MCM
- 2 TIN PL 0.00381 [0.000150] MIN THK PER ASTM B 545
- 3 CLEANED, UNPLATED



3	327287-3
2	327287
FINISH	PART NO

DO NOT SCALE PRINT. UNLESS SPECIFIED DIMENSIONS IN mm [INCHES] TOLERANCES ON : 2 PLC DEC ± 0.51 [0.020] 3 PLC DEC ± - ANGLES ± -	DR 02/28/90 DK SCHRUM	AMP INCORPORATED Harrisburg, Pa. 17105	
	CHK 23JAN95 MS FEHER		
MATERIAL ANNEALED COPPER ASTM B-75	APPD 23JAN95 TL SHUTTER	NAME TERMINAL, AMPPOWER™ WIRE SIZE: 350 MCM	
FINISH SEE TABLE	APPLICATION SPEC -	SIZE C	CAGE CODE 00779
	WEIGHT .031 LB	SCALE 1:1	DRAWING NO 327287
			SHEET 1 OF 1



单击下面可查看定价，库存，交付和生命周期等信息

[>>TE Connectivity\(泰科\)](#)