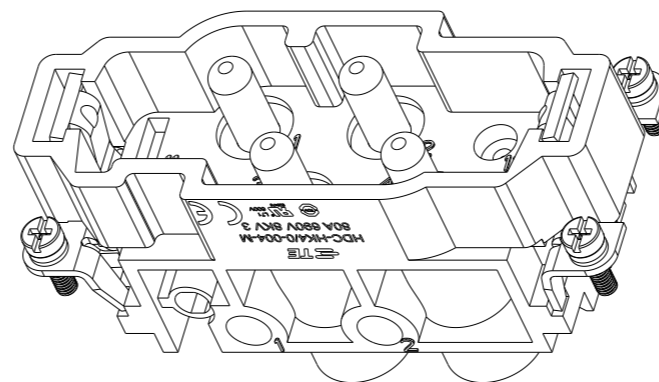
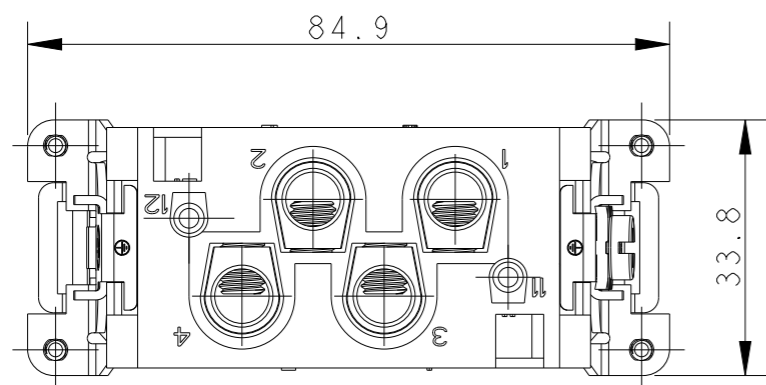


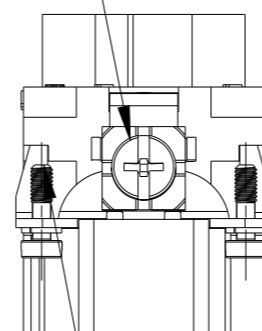
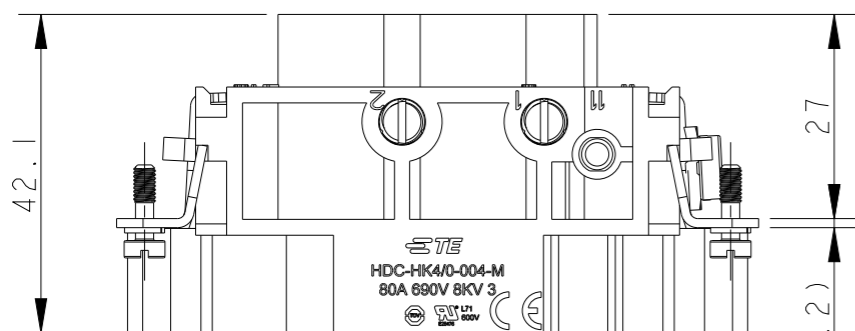
REVISIONS

P	LTR	DESCRIPTION	DATE	DWN	APVD
A		INITIAL RELEASE	14APR2015	DL	CW
B		ECR-15-018481	19FEB2016	DL	CW
BI		ECR-17-002385	18FEB2017	QY	CW
C		ECR-21-111798	08SEP2021	WQR	CW



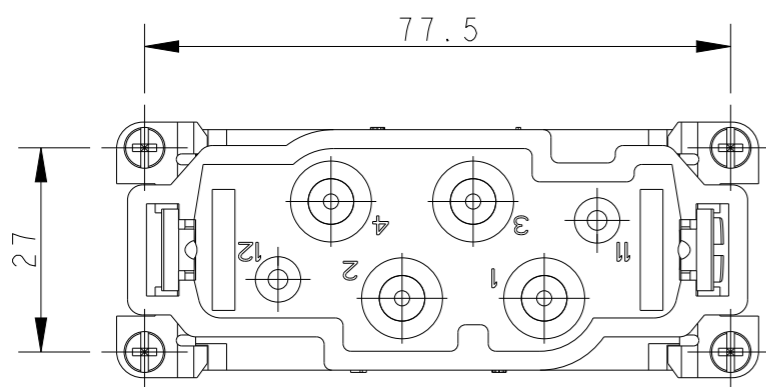
NOTES:
 1. TECHNICAL CHARACTERISTICS:
 INSULATION MATERIAL: PC
 RATED VOLTAGE: 690 V
 RATED CURRENT: 80 A
 INSULATION RESISTANCE: $\geq 400M\Omega$
 RATED IMPULSE VOLTAGE: 8 KV
 POLLUTION DEGREE: 3
 FLAMMABILITY: UL94V-0
 MATING CYCLES: 500
 WIRE RANGE: POWER: 1.5-16 mm² (16-5 AWG)
 CONTACT FINISH: SILVER PLATED
 CONTACT TYPE: SCREW CONTACT

M5 SCREW, RECOMMENDED
 TIGHTENING TORQUE 2.0Nm
 M5螺丝, 推荐锁紧力矩2.0Nm

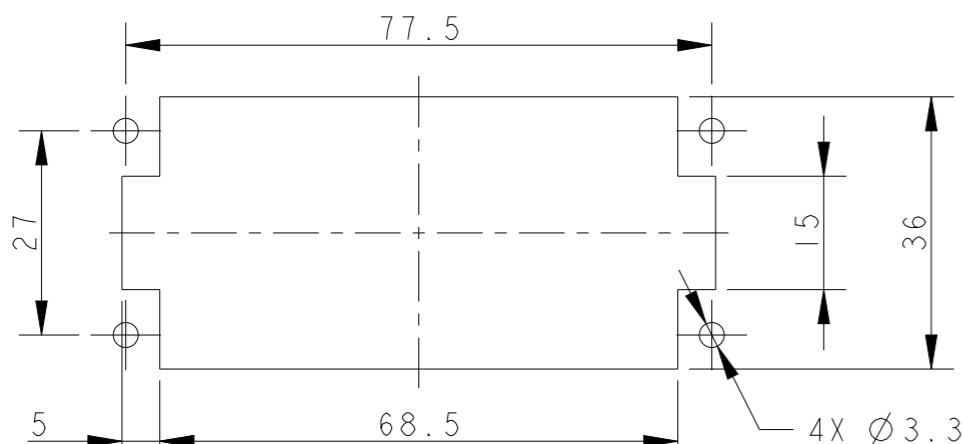


4X M3 SCREW, RECOMMENDED
 TIGHTENING TORQUE 0.5Nm
 4X M3螺丝, 推荐扭力矩为 0.5Nm

注释:
 1. 技术参数:
 绝缘材料: PC
 额定电压: 690 V
 额定电流: 80 A
 绝缘电阻: $\geq 400M\Omega$
 额定脉冲电压: 8 KV
 污染等级: 3
 阻燃等级: UL94V-0
 插拔次数: 500次
 接线范围: 1.5-16 mm² (16-5 AWG)
 端子表面处理: 镀银
 接线类型: 螺丝压接



TYPE-1:T2100042101-000 TE LOGO
 类型-1:T2100042101-000 TE LOGO

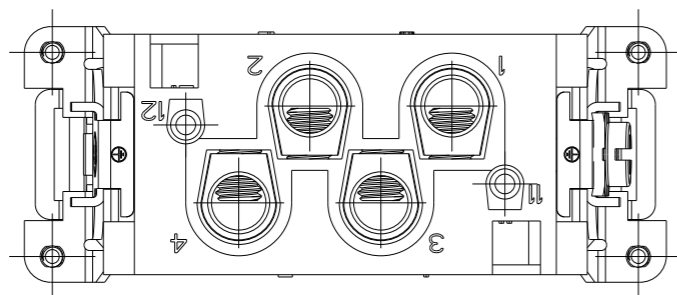


PANEL CUT OUT FOR INSERTS FOR USING
 WITHOUT HOODS/HOUSINGS
 不使用防护外壳时芯件的安装开孔图

THIS DRAWING IS A CONTROLLED DOCUMENT.		DWN DAVID LI 14APR2015	TE Connectivity	
		CHK CHRIS WANG 14APR2015		
		APVD XU XIANG 14APR2015	NAME	
DIMENSIONS: mm		PRODUCT SPEC 108-137127	HK4/0-004-M	
TOLERANCES UNLESS OTHERWISE SPECIFIED:		APPLICATION SPEC 114-137127	SIZE A3	CAGE CODE -
0 PLC ±- 1 PLC ±- 2 PLC ±- 3 PLC ±- 4 PLC ±- ANGLES ±-		WEIGHT -	DRAWING NO C-T2100042101000	RESTRICTED TO
MATERIAL -		CUSTOMER DRAWING	SCALE 1:1	SHEET 1 OF 2
				REV C

REVISIONS

P	LTR	DESCRIPTION	DATE	DWN	APVD
-	-	SEE SHEET 1	-	-	-

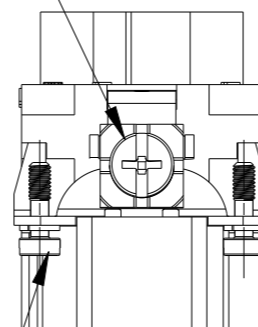
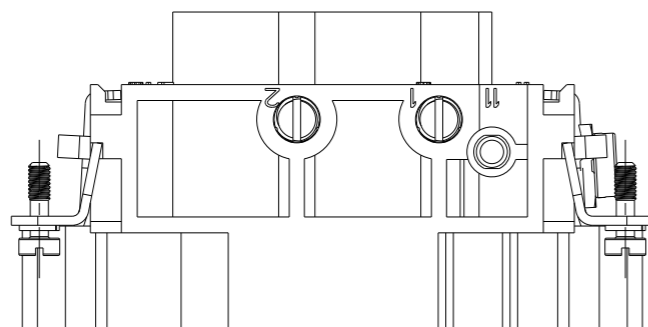


ALL DIMENSIONS ARE SAME AS TYPE 1,
EXCEPT THOSE DEFINED IN THIS TYPE.
除了在本类型中定义的尺寸外, 其它尺寸同类型 |

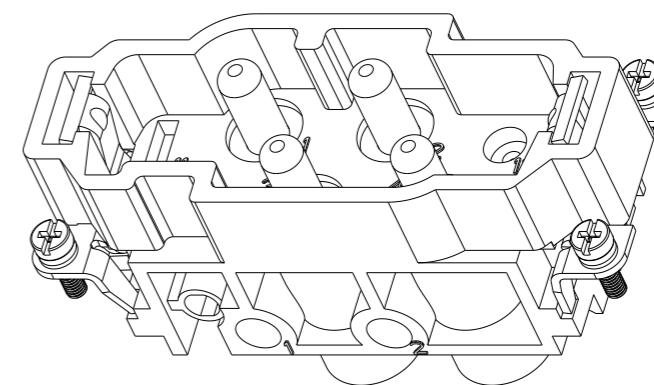
NOTES:
SEE SHEET 1

注释:
见页 |

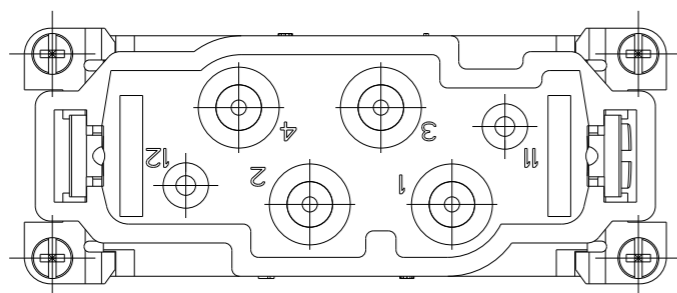
M5 SCREW, RECOMMENDED
TIGHTENING TORQUE 2.0Nm
M5螺丝, 推荐锁紧力矩 2.0Nm




4X M3 SCREW, RECOMMENDED
TIGHTENING TORQUE 0.5Nm
4X M3螺丝, 推荐扭力矩为 0.5Nm



TYPE-2: T2100042101-001 STAINLESS STEEL SCREW, NO LOGO
类型-2: T2100042101-001 不锈钢螺丝, 无LOGO



T2100042101-001	HK4/0-004-M	HK4/0-004 MALE INSERT, STAINLESS STEEL SCREW, NO LOGO HK4/0-004公插, 不锈钢螺丝, 无LOGO	TYPE-2 类型-2
T2100042101-000	HK4/0-004-M	HK4/0-004 MALE INSERT HK4/0-004公插	TYPE-1 类型-1
PART NUMBER 料号	PART DESCRIPTION 描述		TYPE 类型

THIS DRAWING IS A CONTROLLED DOCUMENT.		DWN 14APR2015 DAVID LI	 TE Connectivity		
DIMENSIONS: mm		CHK 14APR2015 CHRIS WANG			NAME
TOLERANCES UNLESS OTHERWISE SPECIFIED:		APVD 14APR2015 XU XIANG			HK4/0-004-M
0 PLC ±- 1 PLC ±- 2 PLC ±- 3 PLC ±- 4 PLC ±- ANGLES ±-		PRODUCT SPEC 108-137127			SIZE CAGE CODE DRAWING NO RESTRICTED TO
MATERIAL		APPLICATION SPEC 114-137127	WEIGHT	SCALE 1:1 SHEET 2 OF 2 REV C	
-		CUSTOMER DRAWING	-		

单击下面可查看定价，库存，交付和生命周期等信息

[>>TE Connectivity\(泰科\)](#)