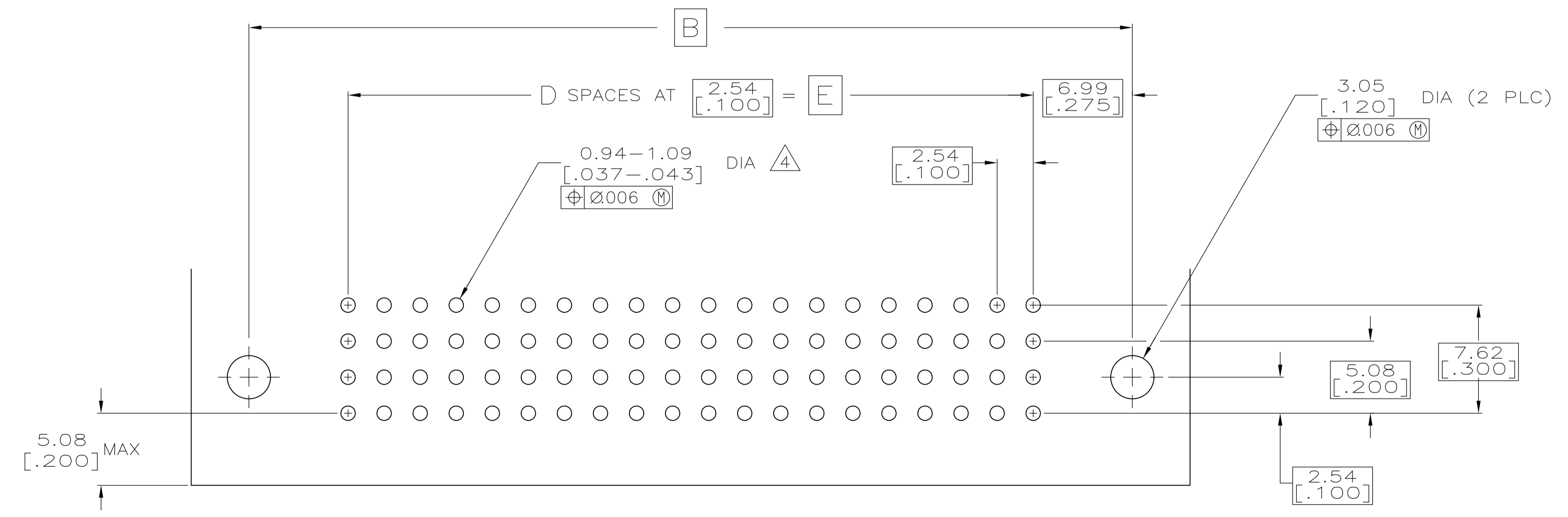
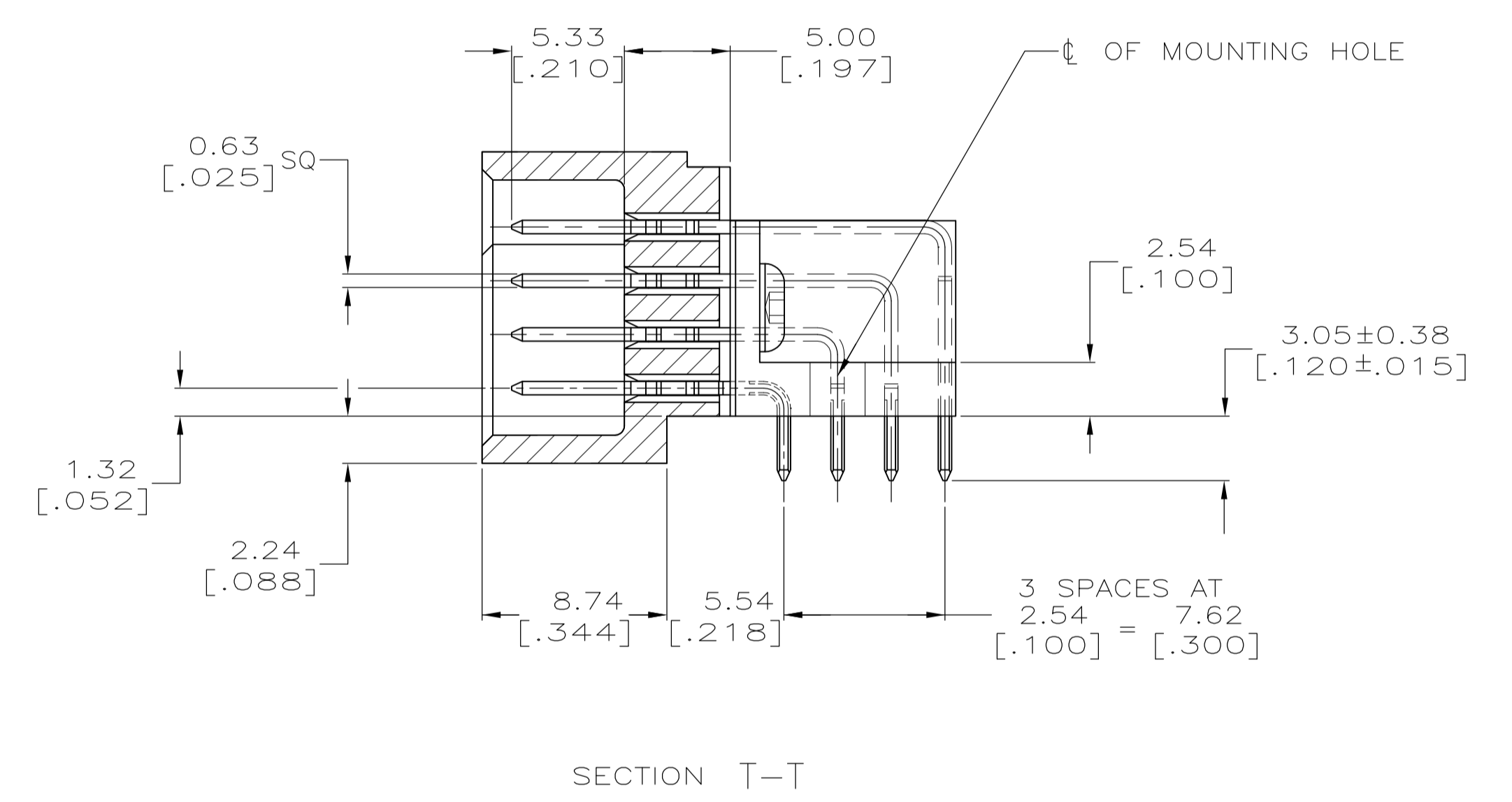
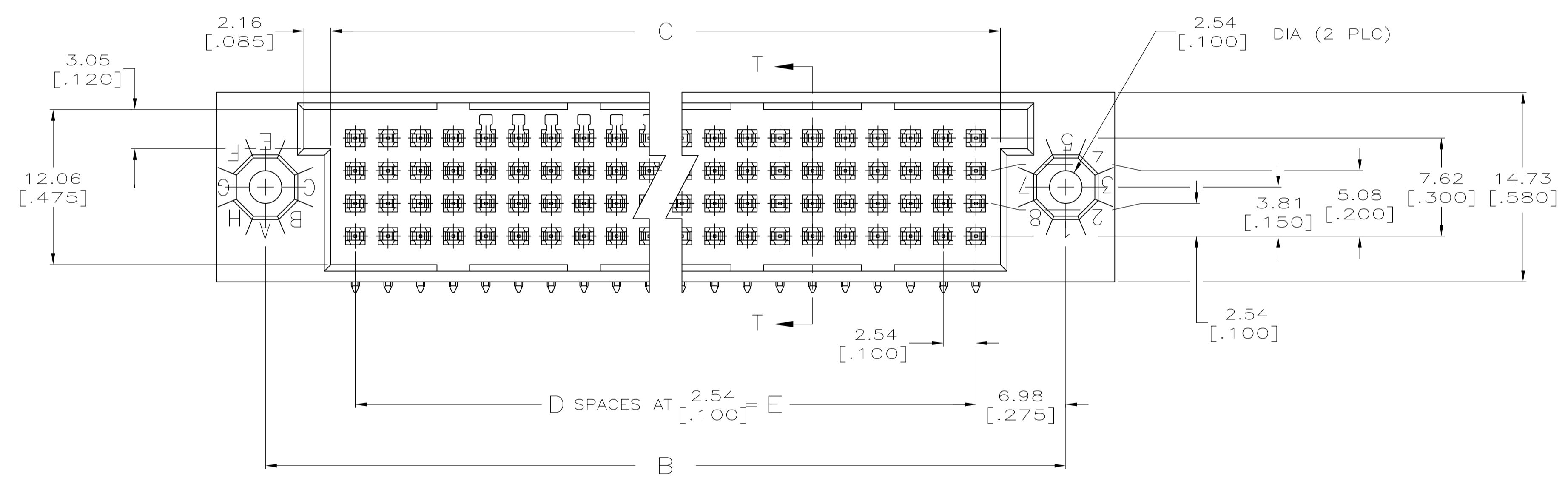
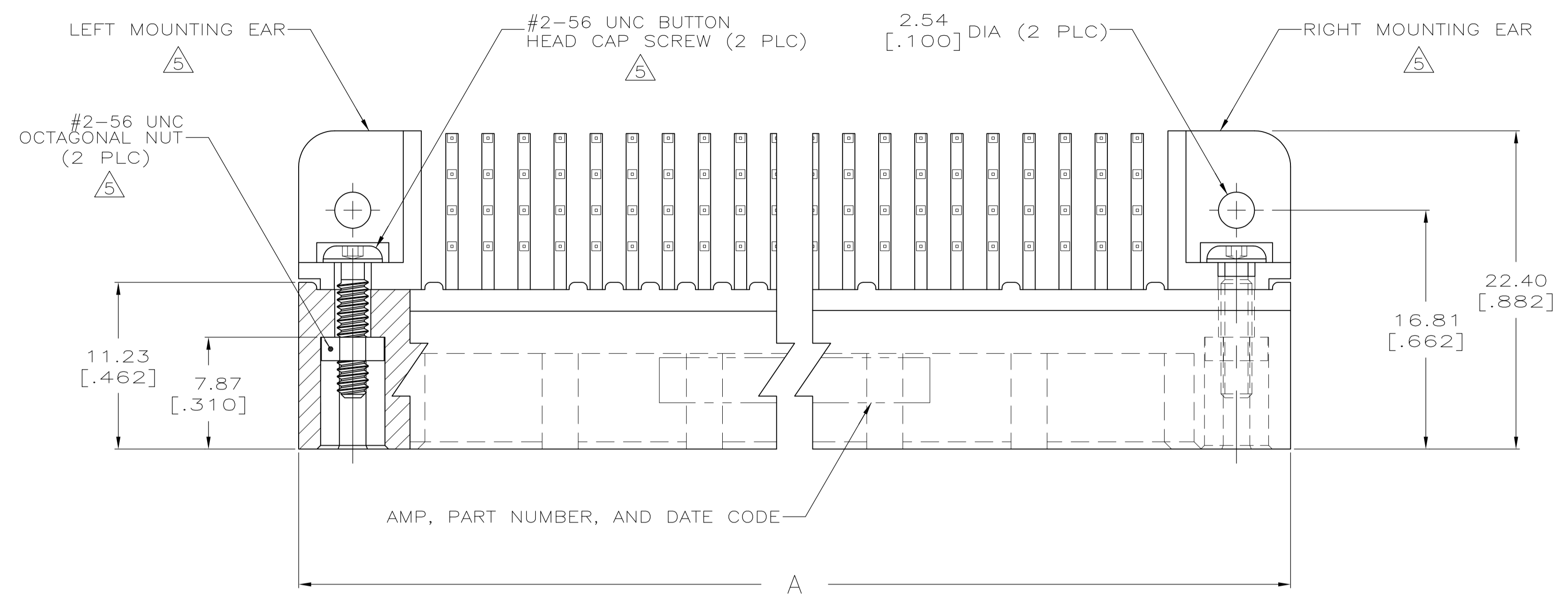


REVISIONS				
P	LTR	DESCRIPTION	DATE	APPV
V		REVISED PER ECO-15-015252	13NOV15	BJ FY



RECOMMENDED P.C. BOARD LAYOUT

THIS DRAWING IS A CONTROLLED DOCUMENT.		DIN R.K. SEIFRIED 05/14/90		TE Connectivity	
DIMENSIONS: mm [INCHES]		CHK G.SKIPPER 01/22/92			
TOLERANCES UNLESS OTHERWISE SPECIFIED:		APPV G.SKIPPER 01/22/92		NAME	
0 PLC ± -		PRODUCT SPEC		ASSY,HDI,4 ROW,RIGHT ANGLE PIN	
1 PLC ± -		APPLICATION SPEC		3.05 [.120] LONG SOLDER TAILS	
2 PLC ± -		MATERIAL		SIZE CASE CODE DRAWING NO	
3 PLC ± 0.13 [.005]		FINISH		RESTRICTED TO	
4 PLC ± -		WEIGHT		A1 00779 C=533286	
ANGLES ± -		CUSTOMER DRAWING		SCALE 4:1 SHEET 1 OF 2 REV V	

单击下面可查看定价，库存，交付和生命周期等信息

[>>TE Connectivity\(泰科\)](#)