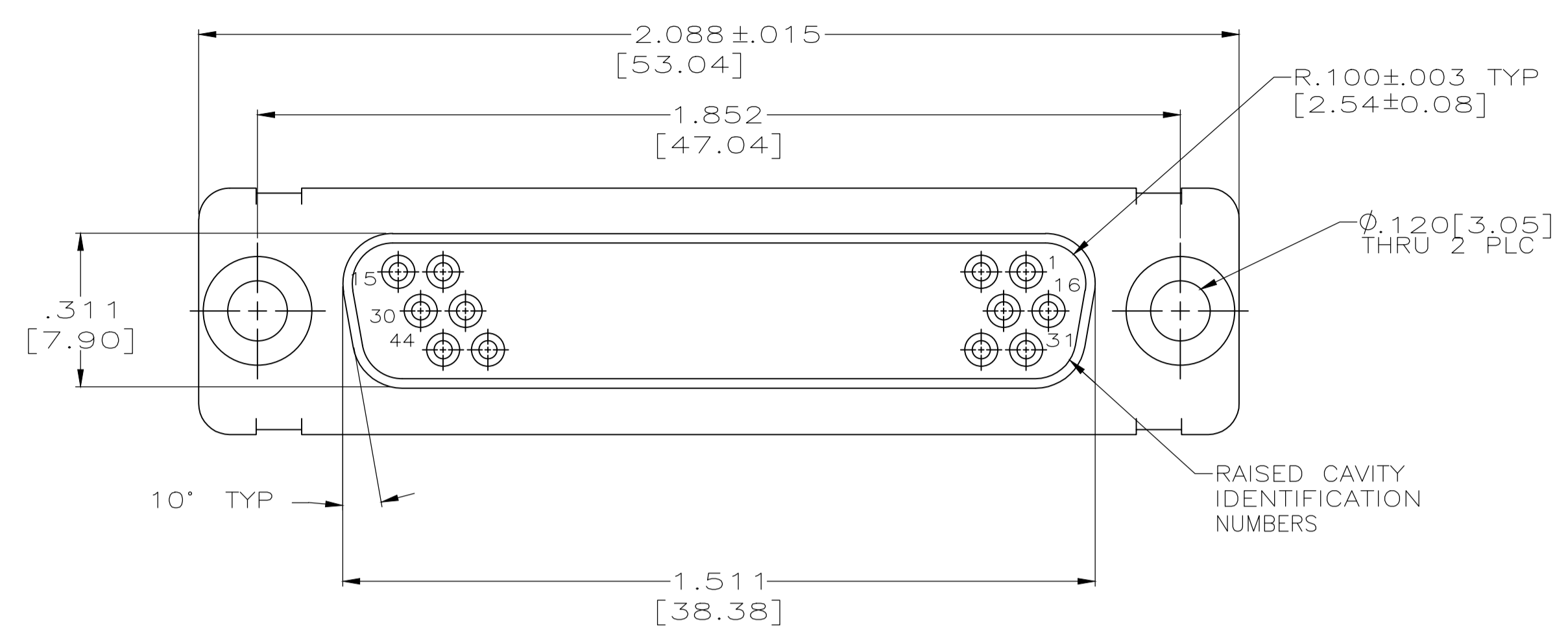
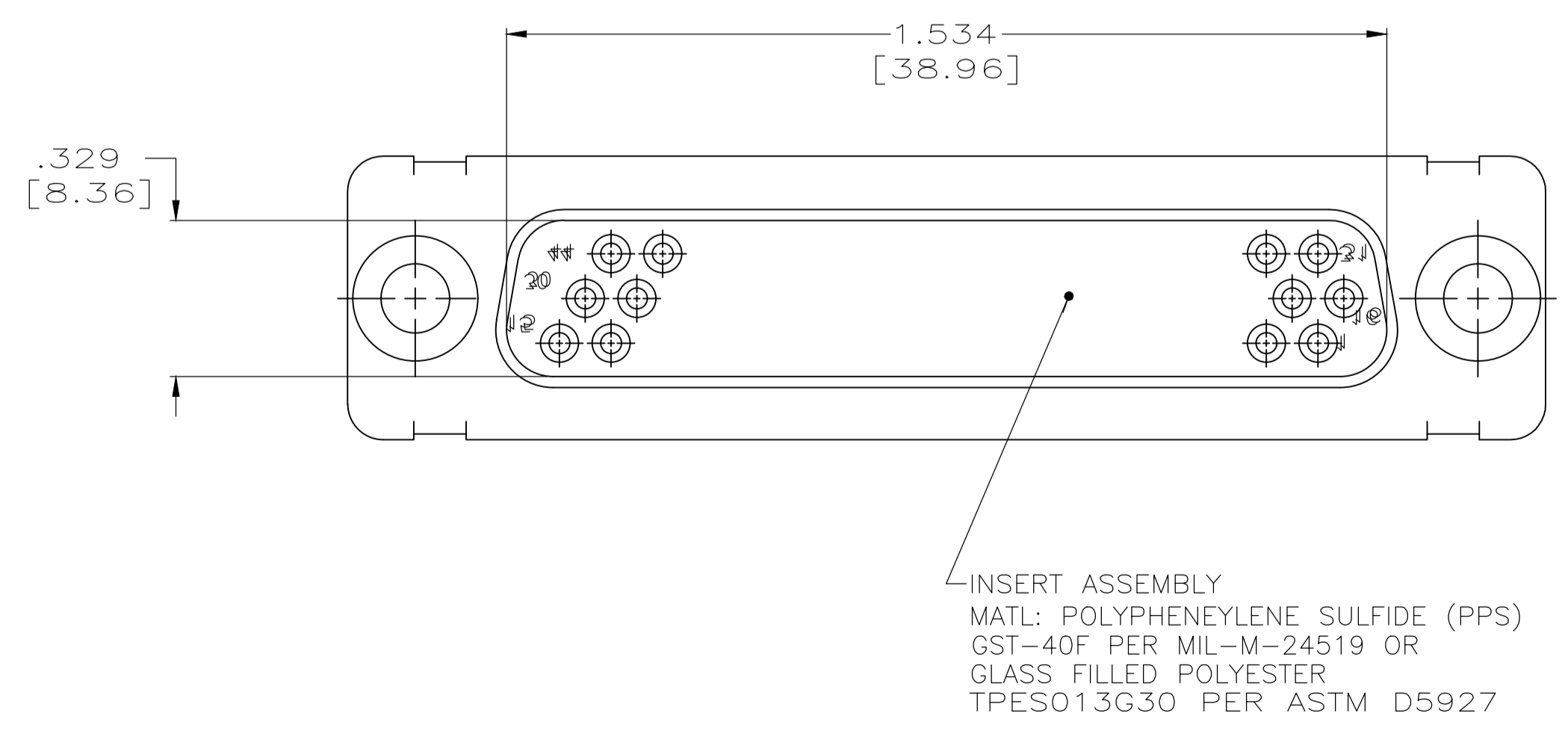
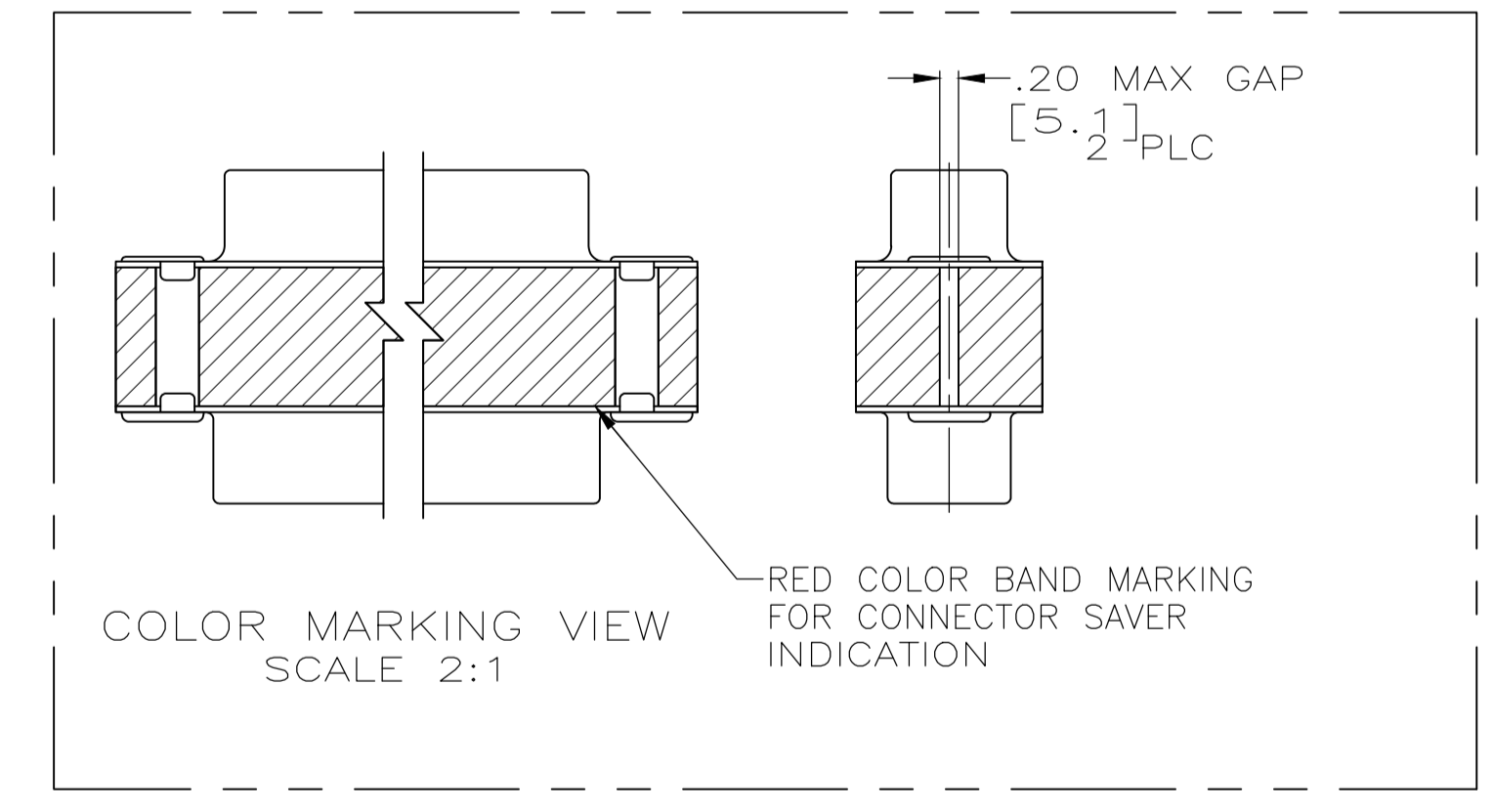
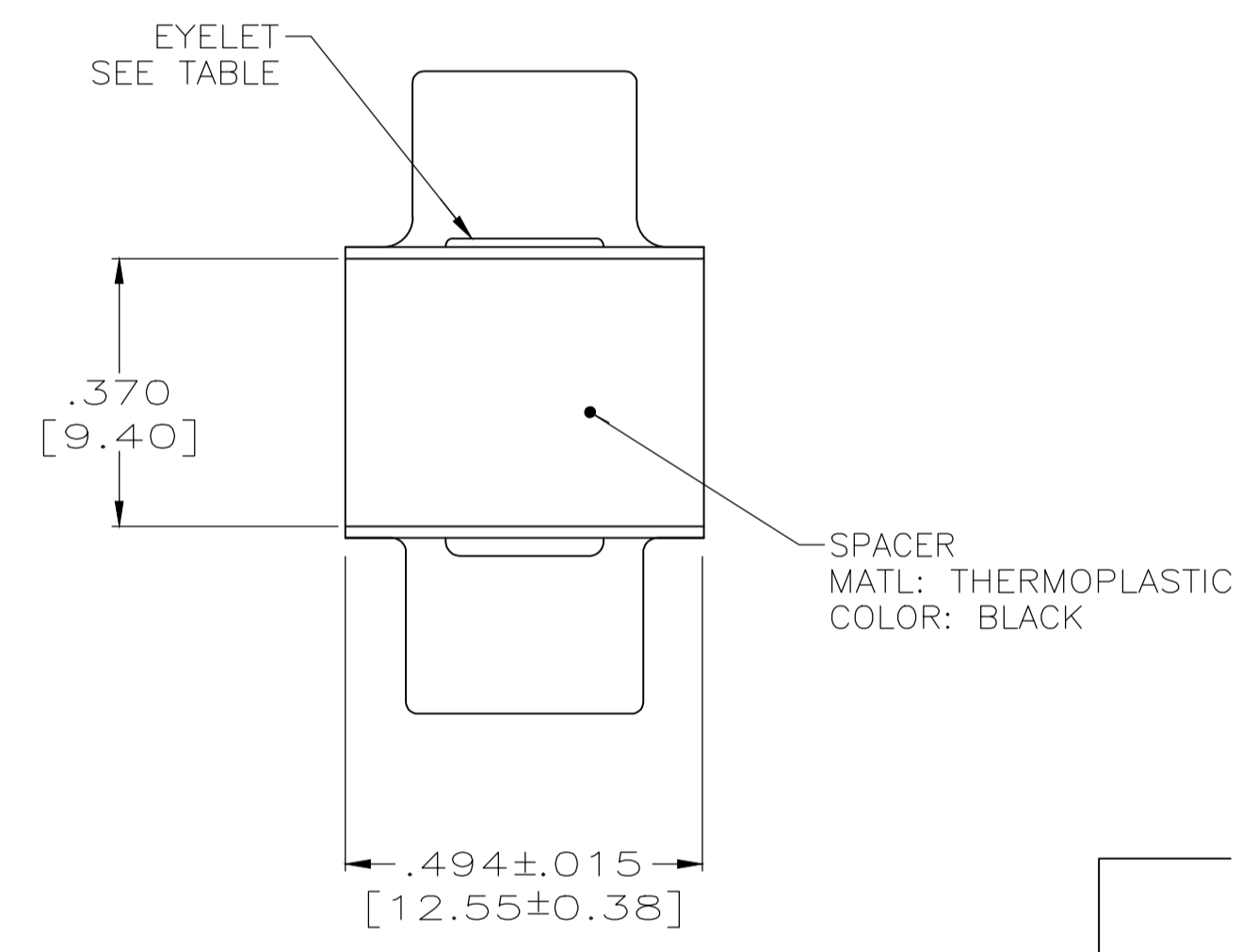
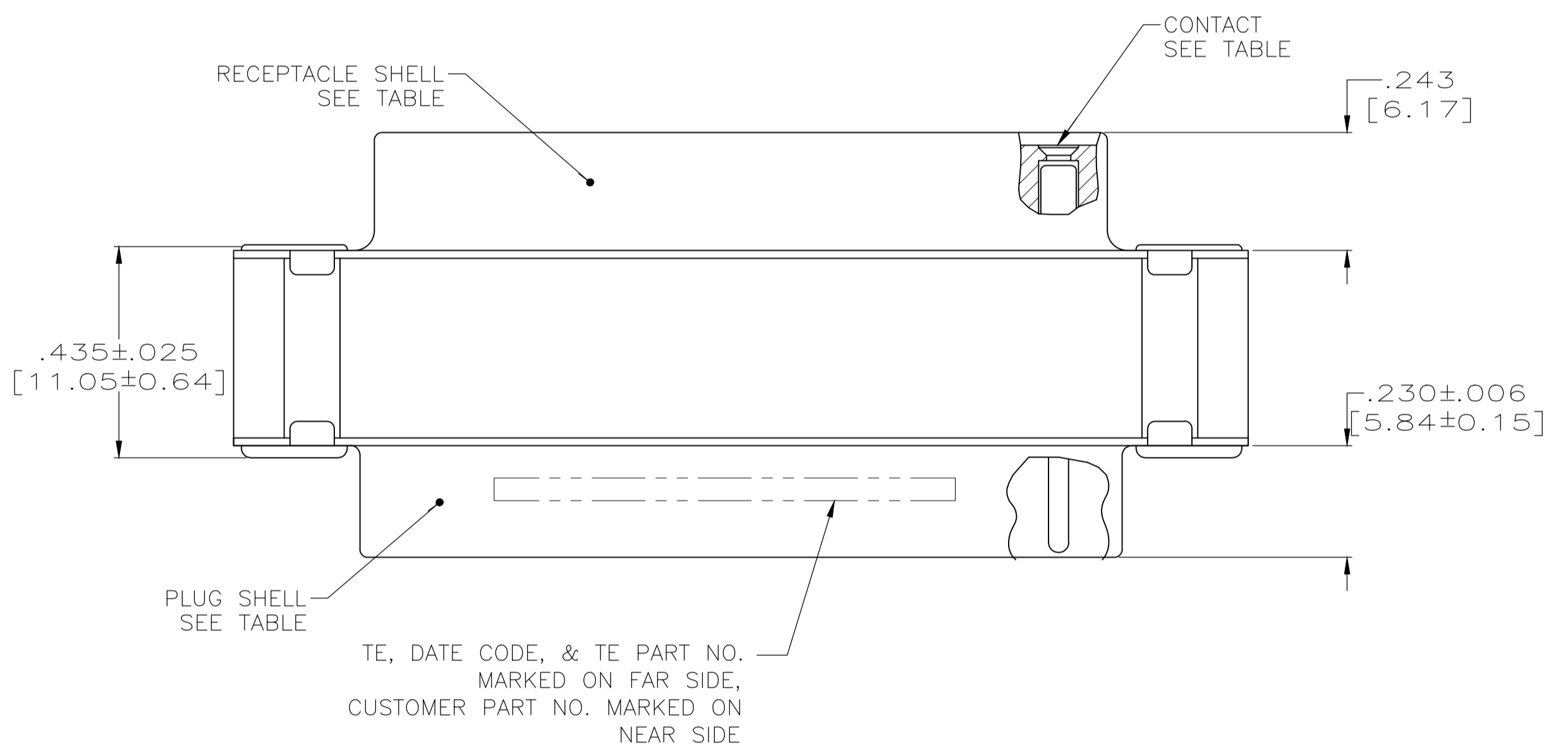


REVISIONS					
P	LTR	DESCRIPTION	DATE	DMN	APVD
F	REV PER ECO	19-019228	4-16-20	CT	DM



- 1. CONTACTS INCLUDED IN ASSEMBLY.
- CONTACT
- BODY MATL: BERYLLIUM COPPER PER ASTM-B-197.
- BODY FINISH: PLATED GOLD, .000050 MIN THK PER MIL-G-45204 OVER NICKEL, .000050 MIN THK PER QQ-N-290.
- HOOD MATL: STAINLESS STEEL PER ASTM-A-167.
- HOOD FINISH: PASSIVATED PER ASTM-A-380
- MATL: BRASS PER ASTM-B-36.
- FINISH: PLATED GOLD, .000050 MIN THK PER MIL-G-45204 OVER COPPER, .000100 MIN THK PER MIL-C-14550.



$\triangle 3$ $\triangle 4$	$\triangle 3$ $\triangle 4$	$\triangle 2$	4U884 SOCN R10002677-0008 (1J02-008)	1218310-2	
$\triangle 3$ $\triangle 4$	$\triangle 3$ $\triangle 4$	$\triangle 2$		1218310-1	
EYELET	SHELLS	CONTACT	CUSTOMER P/N	PART NO.	
THIS DRAWING IS A CONTROLLED DOCUMENT.		DIN T. THOMPSON 19AUG98		TE Connectivity AMPLITE CONNECTOR SAVER SERIES 90, SIZE 3, 44 POS NON-REMOVABLE CONTACTS	
DIMENSIONS: INCHES		TOLERANCES UNLESS OTHERWISE SPECIFIED:			
		0 PLC ± - 1 PLC ± - 2 PLC ± - 3 PLC ± .005(0.13) 4 PLC ± - ANGLES ± -		APVD J. NORTON 19AUG98 PRODUCT SPEC APPLICATION SPEC SIZE A1 CAGE CODE 00779 DRAWING NO. 1218310 WEIGHT 0.000000 CUSTOMER DRAWING	RESTRICTED TO SCALE 4:1 SHEET 1 OF 1 REV F

单击下面可查看定价，库存，交付和生命周期等信息

[>>TE Connectivity\(泰科\)](#)