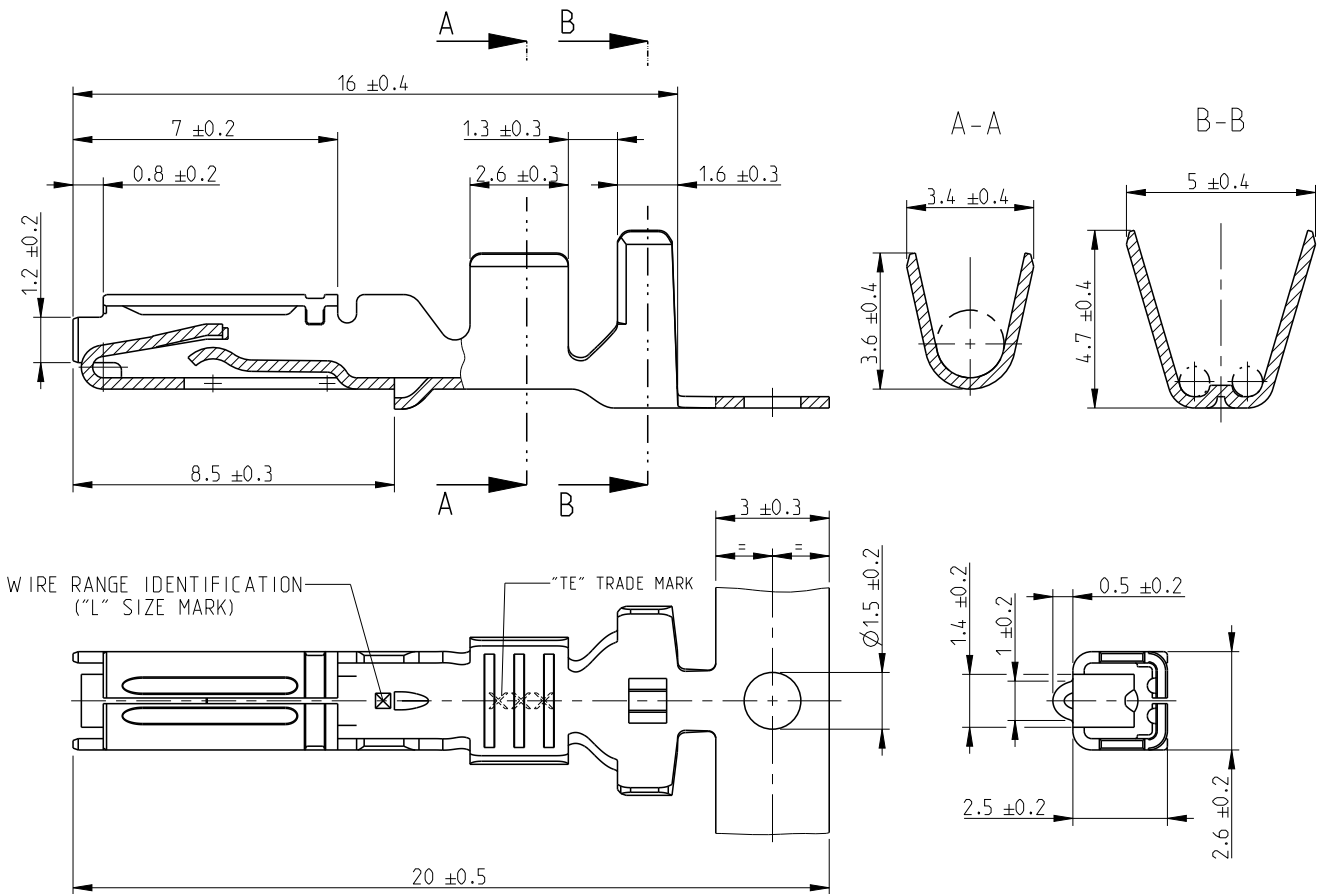


REVISIONS					
P	LTR	DESCRIPTION	DATE	DWN	APVD
	A2	Redrawn to Creo	07MAR2017	JJH	JP



1. DELIVERY STATE: ITEM IS SUPPLIED REELED ON CARTON REEL WITH STRIP PITCH = 11.9±0.2mm
 STATO DI FORNITURA: AVVOLTI SU BOBINA CON PASSO TRA TERMINALI DI = 11.9±0.2mm

CUSTOMER DRAWING FOR INFORMATION ONLY
 DISEGNO PER CLIENTE SOLO PER RIFERIMENTO

THIS DRAWING IS UNPUBLISHED. BY - ALL RIGHTS RESERVED. COPYRIGHT 20

A2	INS. DIA. RANGE (DIAM. ISOLANTE)	WIRE RANGE (RANGO FILO)	PRE-TIN (PRE-STAGNATO)	BRASS (OTTONE)	282376-1									
	∅2.7-3.0mm	>1.5-2.5mm ²	FINISH/COLOUR (FINITURE/COLORE)	MATERIAL (MATERIALE)	PART NUMBER									
DIMENSIONS:	DWN R. MARTINI 11JUN1993	MATERIAL	FINISH											
mm	CHK C. TARTARI 11JUN1993	TE Connectivity												
TOLERANCES UNLESS OTHERWISE SPECIFIED:	APVD -	PRODUCT SPEC	NAME .070 SRS REC. CONTACT											
<table border="1" style="font-size: small;"> <tr><td>∅ PLC</td><td>±</td></tr> <tr><td>1 PLC</td><td>±</td></tr> <tr><td>2 PLC</td><td>±</td></tr> <tr><td>3 PLC</td><td>±</td></tr> <tr><td>4 PLC</td><td>±</td></tr> </table> ±0.3	∅ PLC	±	1 PLC	±	2 PLC	±	3 PLC	±	4 PLC	±	APPLICATION SPEC	SIZE A 4		
	∅ PLC	±												
1 PLC	±													
2 PLC	±													
3 PLC	±													
4 PLC	±													
ANGLES ±2°	WEIGHT -	108-20159	CAGE CODE -	DRAWING NO C=282376	RESTRICTED TO -									
		114-20056	SCALE 5:1											
CUSTOMER DRAWING		SHEET 1 OF 1		REV A2										

单击下面可查看定价，库存，交付和生命周期等信息

[>>TE Connectivity\(泰科\)](#)