

4

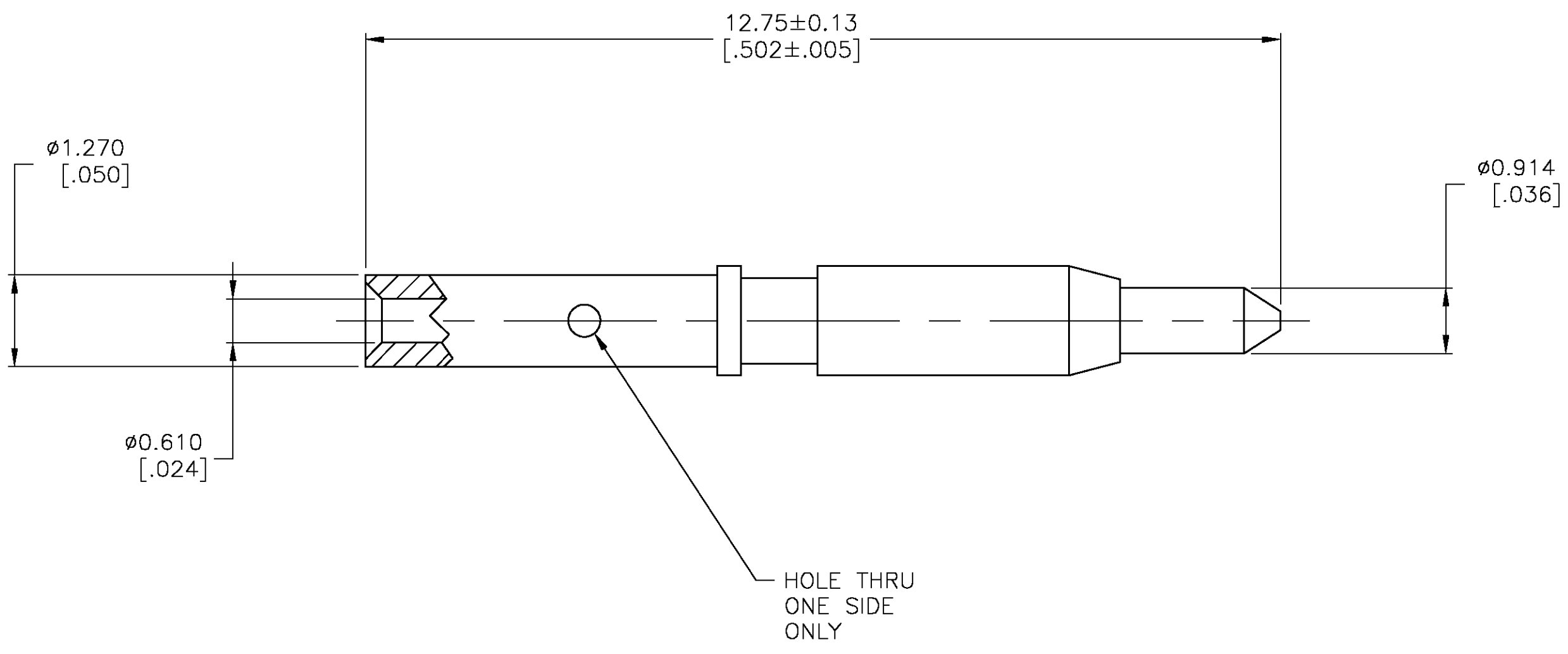
3

2

1

THIS DRAWING IS UNPUBLISHED. RELEASED FOR PUBLICATION  
 © COPYRIGHT - BY TYCO ELECTRONICS CORPORATION. ALL RIGHTS RESERVED.

LOC	DIST	REVISIONS			
P	LTR	DESCRIPTION	DATE	DWN	APVD
		0	RELEASED PER EC 0S14-0274-03.	16JUN03	JGH/JGH



447790-2  
 PART NUMBER

THIS DRAWING IS A CONTROLLED DOCUMENT.		DWN J. HAVENER 16JUN2003	Tyco Electronics Corporation Harrisburg, PA 17105-3608		
DIMENSIONS: MM [INCHES]		CHK J. HAVENER 16JUN03			
TOLERANCES UNLESS OTHERWISE SPECIFIED: 0 PLC ± - 1 PLC ± - 2 PLC ± - 3 PLC ± 0.025 [.001] 4 PLC ± - ANGLES ± 2°		APVD J. HAVENER 16JUN03	NAME CONTACT, PLUG, 3.5 mm BLIND MATE		
MATERIAL BRASS-ASTM B 16		FINISH GOLD PLATE	PRODUCT SPEC -	APPLICATION SPEC -	RESTRICTED TO -
		WEIGHT -	SIZE A3	CAGE CODE 00779	DRAWING NO C-447790
CUSTOMER DRAWING			SCALE 15:1	SHEET 1 OF 1	REV 0

单击下面可查看定价，库存，交付和生命周期等信息

[>>TE Connectivity\(泰科\)](#)