

4

3

2

1

THIS DRAWING IS UNPUBLISHED. RELEASED FOR PUBLICATION AUG ,2006.

© COPYRIGHT - BY TYCO ELECTRONICS CORPORATION. ALL RIGHTS RESERVED.

LOC	DIST	REVISIONS			
P	LTR	DESCRIPTION	DATE	DWN	APVD
	C	REVISED (ECR-09-006150)	17MAR09	SC	WK
	C1	REVISED PER ECO-09-024927	07NOV09	KK	AEG

TE LOGO

11.91

1.27 TYP

11.43

X

18.00

11.50

3.00

2 PLC

7.85

6.35±0.2

3.25±0.25

8.89±0.25

∅0.46

8 PLC

∅3.00±0.1

3.30

1.30

∅3.30±0.1

DETAIL X

15.00

8.89

∅0.90

∅0.10

8 PLC

1.27 TYP.

2.54

6.35

∅3.20

∅0.10

2 PLC

11.43

RECOMMENDED PCB LAYOUT (THICKNESS: 1.6mm)

DIMENSION TOLERANCE: (1 PLC: ±0.1 2PLC: ±0.05)

NOTE:

- MATERIAL:
HOUSING: THERMOPLASTIC, UL94V-0, COLOR: BLACK.
CONTACT: PHOSPHOR BRONZE, THICKNESS: 0.46mm.
- FINISH:
CONTACT: GOLD PLATED (SEE TABLE) OVER 50u" MIN.
NICKEL UNDERPLATED ALL OVER.
- NET WIGHT: 3g.

⚠ OBSOLETE PARTS: OBSOLETE CIS STREAMLINING PER D.RENAUD/D.SINISI

△	10P8C	50μ"	1470648-4-
		30μ"	1470648-3-
		15μ"	1470648-2-
		6μ"	1470648-1-
	RJ45	MIN. GOLD THICKNESS	PART NUMBER

THIS DRAWING IS A CONTROLLED DOCUMENT.		DWN	17MAR2009	Tyco Electronics Corporation	
DIMENSIONS: MM		S. CHIEN	17MAR2009	Taipi, Taiwan	
TOLERANCES UNLESS OTHERWISE SPECIFIED:		CHK	17MAR2009	NAME	
0 PLC ± 0.50		S. CHIEN	17MAR2009	108-57253	
1 PLC ± 0.30		APVD	17MAR2009	QUALIFICATION TEST REPORT	
2 PLC ± 0.20		W. KODAMA		501-57375	
3 PLC ± 0.10		PRODUCT SPEC		SIZE	CAGE CODE
4 PLC ± -		FINISH		DRAWING NO	RESTRICTED TO
ANGLES ± 3°		MATERIAL		501-57375	
SEE NOTE		SEE NOTE		WEIGHT	
				- GRAMS	
				CUSTOMER DRAWING	
				SCALE	SHEET
				-	1 OF 3
				REV	C1

AMP 1470-19 REV 31MAR2000

Downloaded From Oneyac.com

THIS DRAWING IS UNPUBLISHED.

RELEASED FOR PUBLICATION

AUG, 2006.

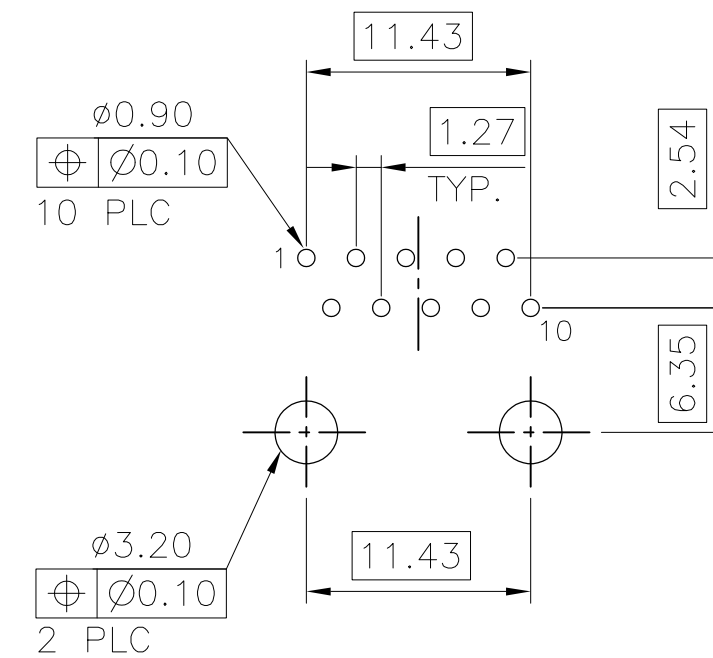
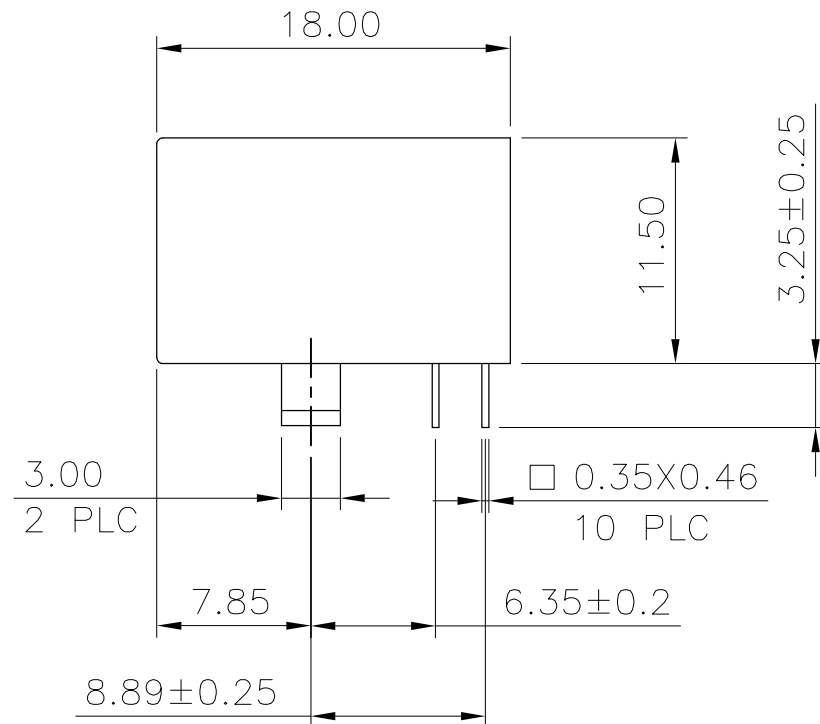
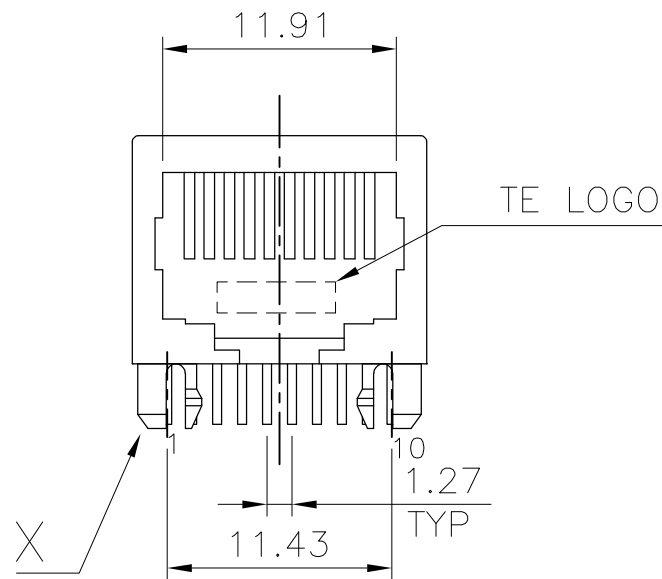
© COPYRIGHT BY TYCO ELECTRONICS CORPORATION. ALL RIGHTS RESERVED.

LOC DW

DIST

REVISIONS

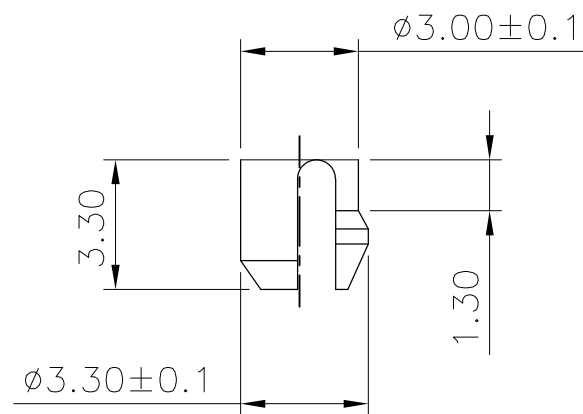
P	LTR	DESCRIPTION	DATE	DWN	APVD
		SEE SHEET 1.			



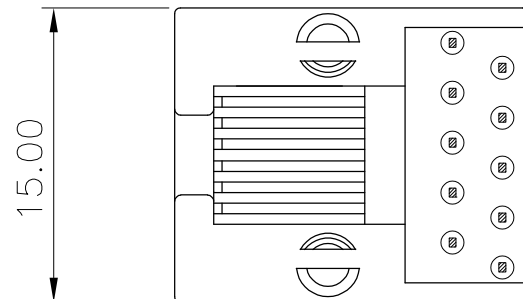
RECOMMENDED PCB LAYOUT (THICKNESS: 1.6mm)
 DIMENSION TOLERANCE: (1 PLC: ±0.1 2PLC: ±0.05)

NOTE:

- 1. MATERIAL:**
 HOUSING: THERMOPLASTIC, UL94V-0, COLOR: BLACK.
 CONTACT: PHOSPHOR BRONZE, THICKNESS: 0.35mm.
- 2. FINISH:**
 CONTACT: GOLD PLATED (SEE TABLE) IN CONTACT AREA,
 100μ" MIN. TIN-LEAD ON SOLDER TAILS.
 50μ" MIN. NICKEL UNDER PLATED ALL OVER.
- 3. NET WIGHT:** 3g.



DETAIL X



OBSOLETE	10P10C	50μ"	1-1470648-4
		30μ"	1-1470648-3
		15μ"	1-1470648-2
		6μ"	1-1470648-1
RJ45	MIN. GOLD THICKNESS	PART NUMBER	

THIS DRAWING IS A CONTROLLED DOCUMENT.		DWN	Tyco Electronics Corporation Taipei, Taiwan			
DIMENSIONS: MM	TOLERANCES UNLESS OTHERWISE SPECIFIED:	CHK	NAME			
		APVD	MODULAR JACK, RJ45, LOW PROFILE, SIDE ENTRY.			
	0 PLC ± - 1 PLC ± - 2 PLC ± - 3 PLC ± - 4 PLC ± - ANGLES ± - FINISH	PRODUCT SPEC	SIZE	CAGE CODE	DRAWING NO	RESTRICTED TO
		APPLICATION SPEC	A3	00779	C-1470648	-
		WEIGHT	CUSTOMER DRAWING		SCALE	SHEET

4

3

2

1

THIS DRAWING IS UNPUBLISHED.

RELEASED FOR PUBLICATION

AUG ,2006.

© COPYRIGHT - BY TYCO ELECTRONICS CORPORATION. ALL RIGHTS RESERVED.

LOC
DWDIST
—

REVISIONS

P	LTR	DESCRIPTION	DATE	DWN	APVD
		SEE SHEET 1.			

MODULAR JACK

TOP COVER

TRAY
290mm(L)X170mm(W)X20mm(H)
100 PCS/TRAY

W

L

H

CARTON
560mm(L)X310mm(W)X310mm(H)
45 TRAY/CARTON
TOTAL: 4500 PCS
GROSS WEIGHT: 15Kg (Ref.)

L

W

H

THIS DRAWING IS A CONTROLLED DOCUMENT.		DWN	Tyco Electronics Corporation Taipei, Taiwan		
DIMENSIONS: MM		CHK	NAME		
TOLERANCES UNLESS OTHERWISE SPECIFIED:		APVD	MODULAR JACK, RJ45, LOW PROFILE, SIDE ENTRY.		
0 PLC ± -		PRODUCT SPEC	SIZE	CAGE CODE	DRAWING NO
1 PLC ± -		—	A3	00779	C=1470648
2 PLC ± -		APPLICATION SPEC	RESTRICTED TO		
3 PLC ± -		—	—		
4 PLC ± -		WEIGHT	—		
ANGLES ± -		CUSTOMER DRAWING			
FINISH		SCALE		SHEET	REV
—		—		3 OF 3	C1

AMP 1470-19 REV 31MAR2000

Downloaded From Oneyac.com

单击下面可查看定价，库存，交付和生命周期等信息

[>>TE Connectivity\(泰科\)](#)