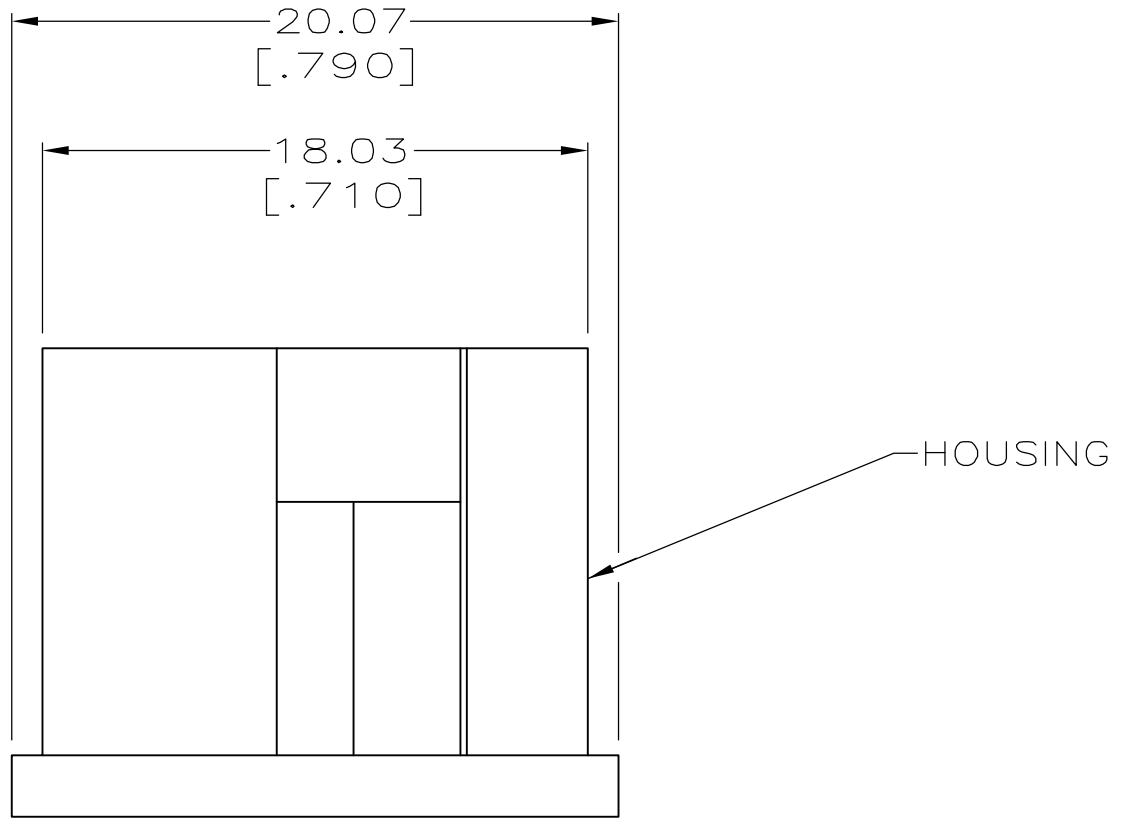


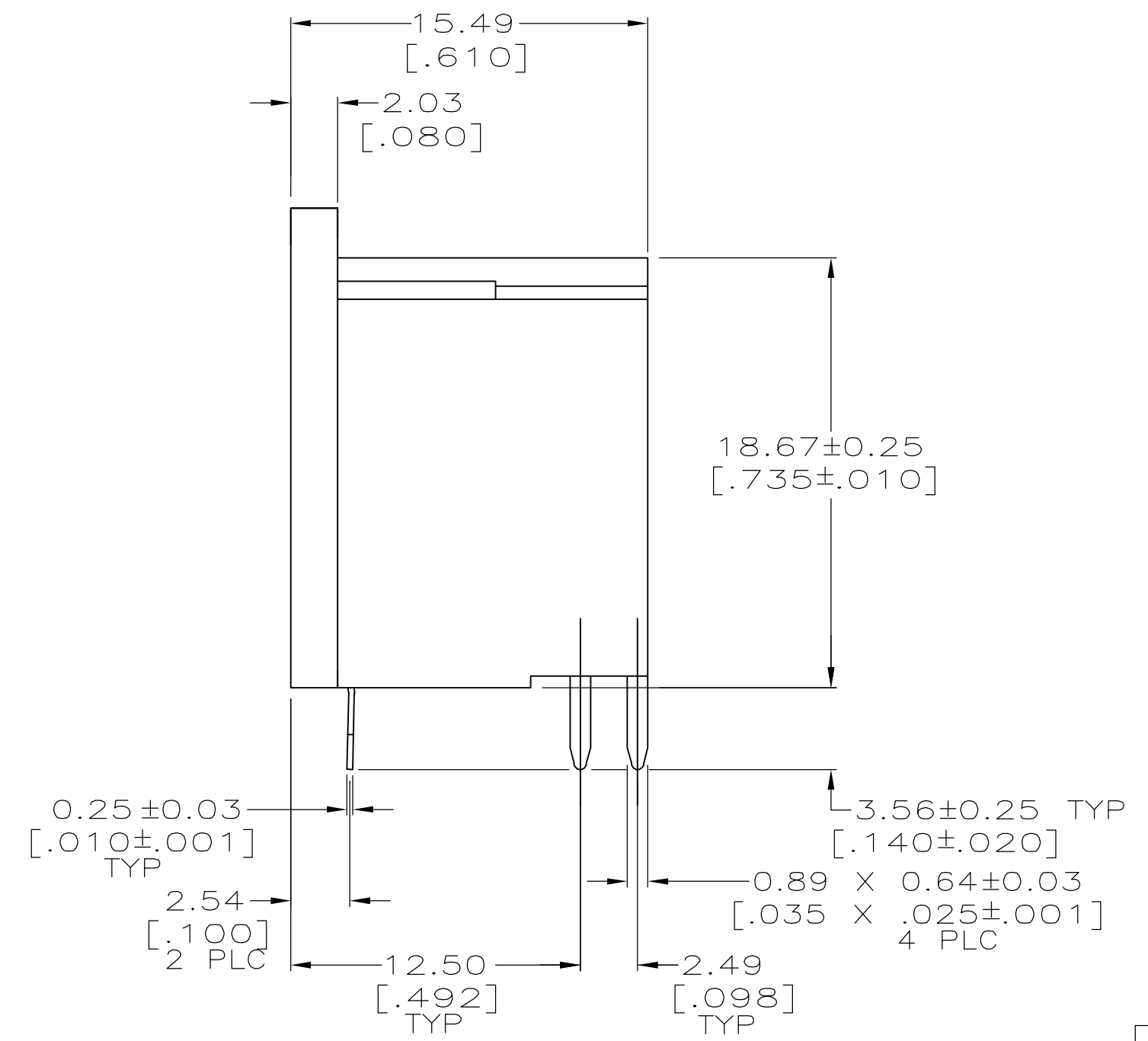
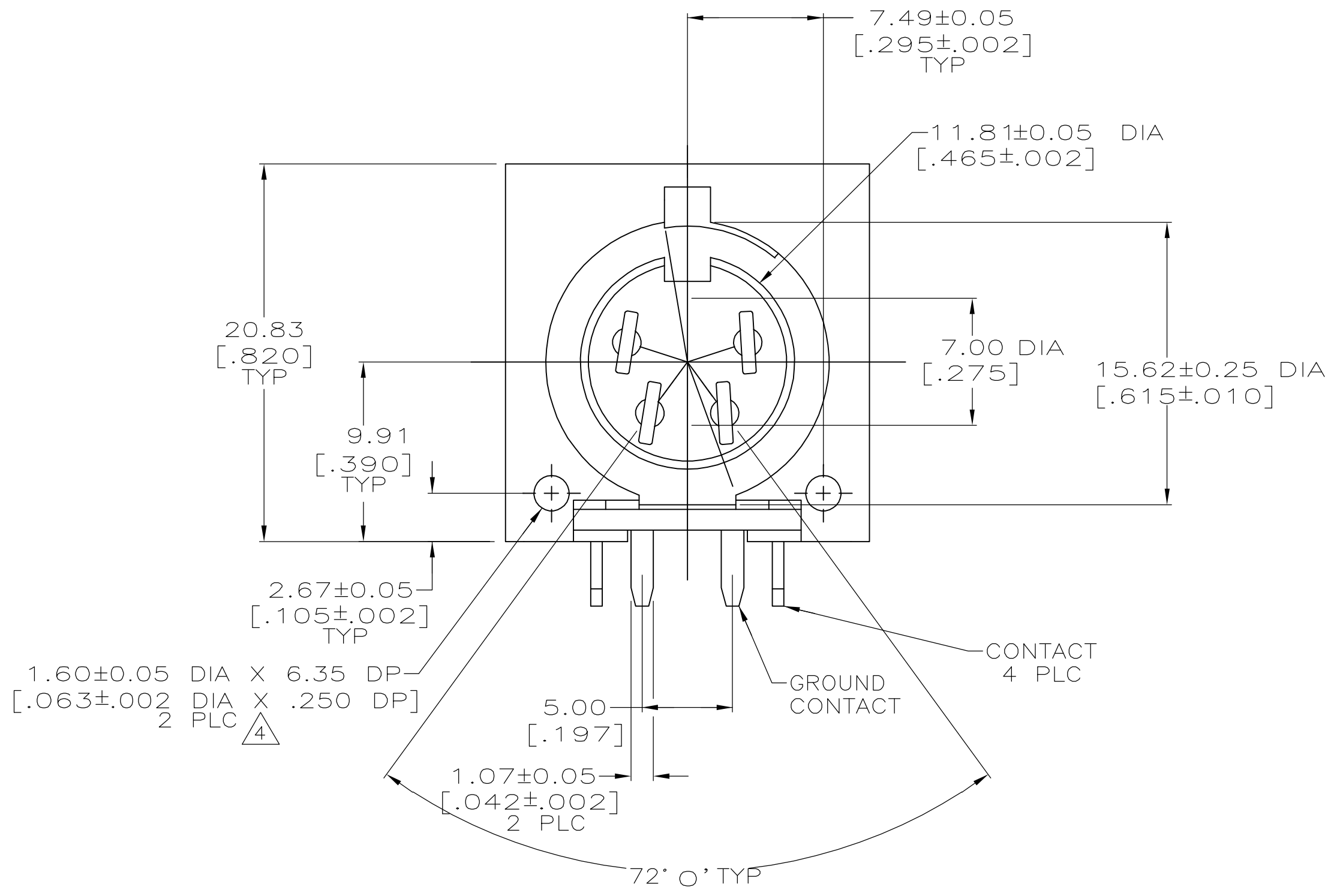
THIS DRAWING IS UNPUBLISHED. RELEASED FOR PUBLICATION
 © COPYRIGHT BY TYCO ELECTRONICS CORPORATION. ALL RIGHTS RESERVED.

LOC	DIST	REVISIONS			
P	LTR	DESCRIPTION	DATE	DWN	APVD
BD	39	G1	REVISED PER ECO-07-008008	10APR07	JDP/CWR



- ① HOUSING: NYLON, UL 94V-0 RATED, BLACK.
- ② 2.54μm [.000100] MIN TIN-LEAD OVER 1.27μm [.000050] MIN NICKEL.
- ③ TIN PLATING PER MIL-T-10727, NICKEL PLATING PER QQ-N-290.
- ④ ACCEPTS #2 SELF-TAPPING SCREW, .250 LONG REF.
- ⑤ MATES WITH 4 POSITION SHIELDED DIN PLUG 212437-2.
- ⑥ CONTACTS: BRASS PER ASTM B36.

HOUSING



211508-1
PART NUMBER

THIS DRAWING IS A CONTROLLED DOCUMENT.		DWN A.STAUB BG 8/9/91	tyco Electronics Tyco Electronics Corporation Harrisburg, PA 17105-3608	
DIMENSIONS: mm [INCHES]	TOLERANCES UNLESS OTHERWISE SPECIFIED:	CHK -	APVD -	NAME
	0 PLC ± -	PRODUCT SPEC	108-10047	
	1 PLC ± -	APPLICATION SPEC	114-40025	
	2 PLC ± 0.13[.005]	WEIGHT	-	
	3 PLC ± -	CUSTOMER DRAWING	SCALE 4:1 SHEET 1 of 1 REV G1	
MATERIAL	FINISH	SIZE A2	CAGE CODE 00779	DRAWING NO C=211508
①⑥	②③	RESTRICTED TO		

单击下面可查看定价，库存，交付和生命周期等信息

[>>TE Connectivity\(泰科\)](#)